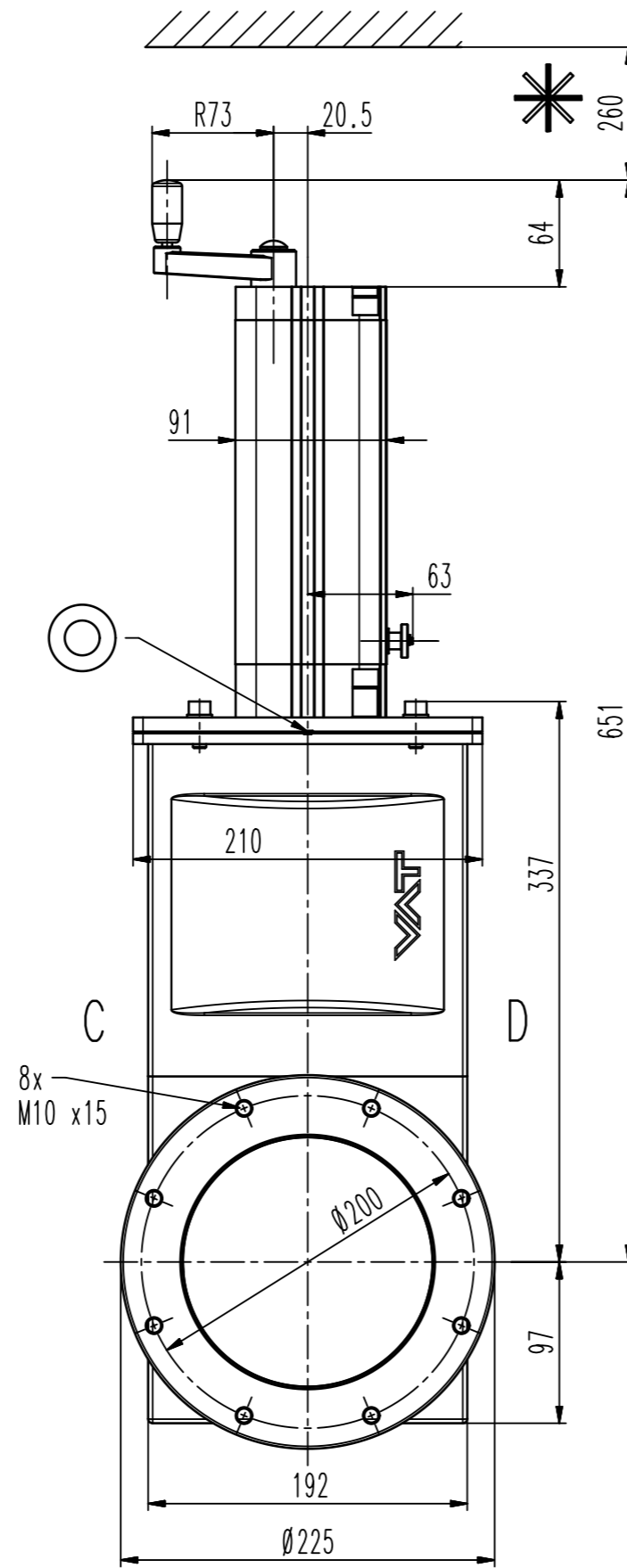
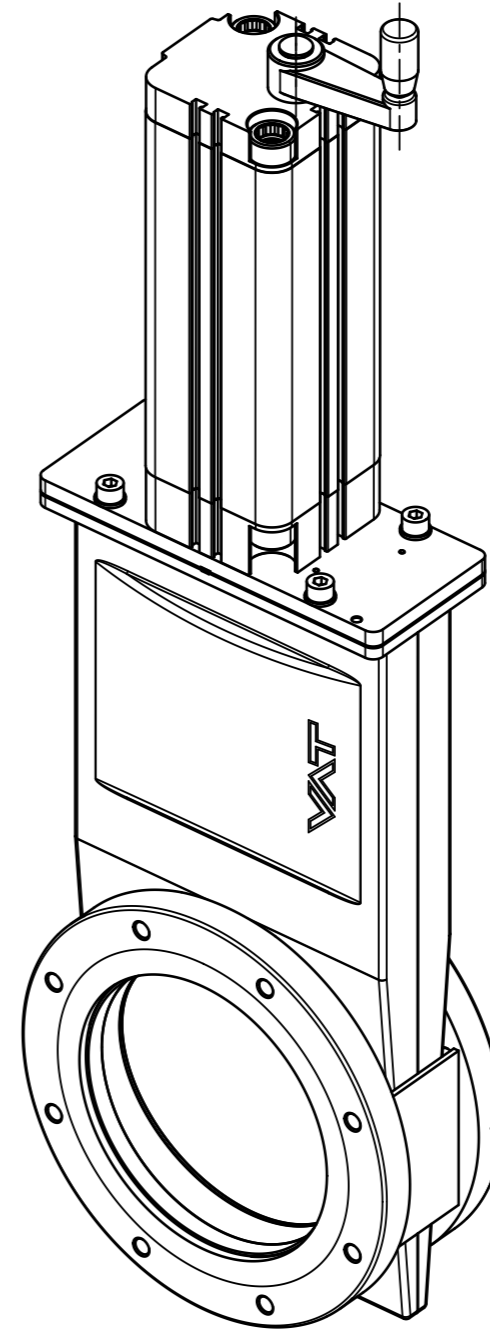


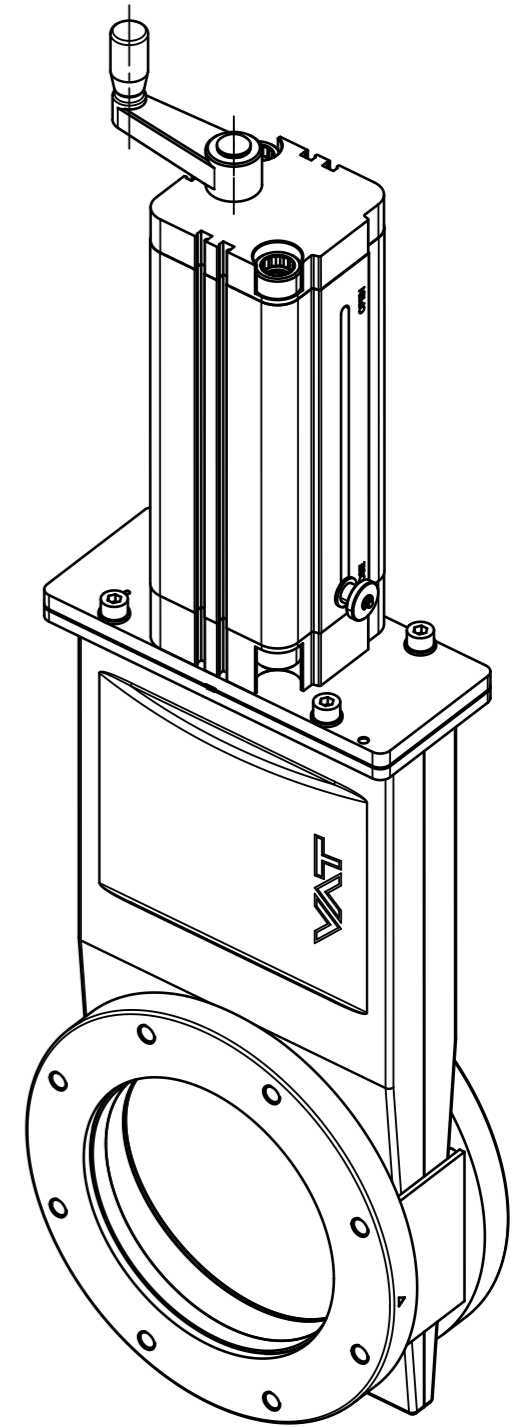
D-side



A-(seat)side



B-side



- ▼ Seat side
- ⊙ Comp. air connection
- ⊕ Electrical connection
- ⊖ Leak detection port
- ⊙ Mech. pos. indication
- ⊙ Position indicator
- ⊙ Required for dismantling
- ⊙ Emergency actuation
- ⊙ For attachment
- ⊙ Bake-out area
- ⊙ Differential pumping port

HV gate valve



VAT Vakuumventile AG
CH-9469 Haag, Switzerland
Tel ++41 81 7716161 Fax ++41 81 7714830

Rev.-Date: 29.04.14
Visa: MAEM

Series	091		Ordering No.	09144-PE01-0001	
Projection E	DN	Flange			
	160	ISO-F			
Dimensional Drawing	261428		Rev.	C	