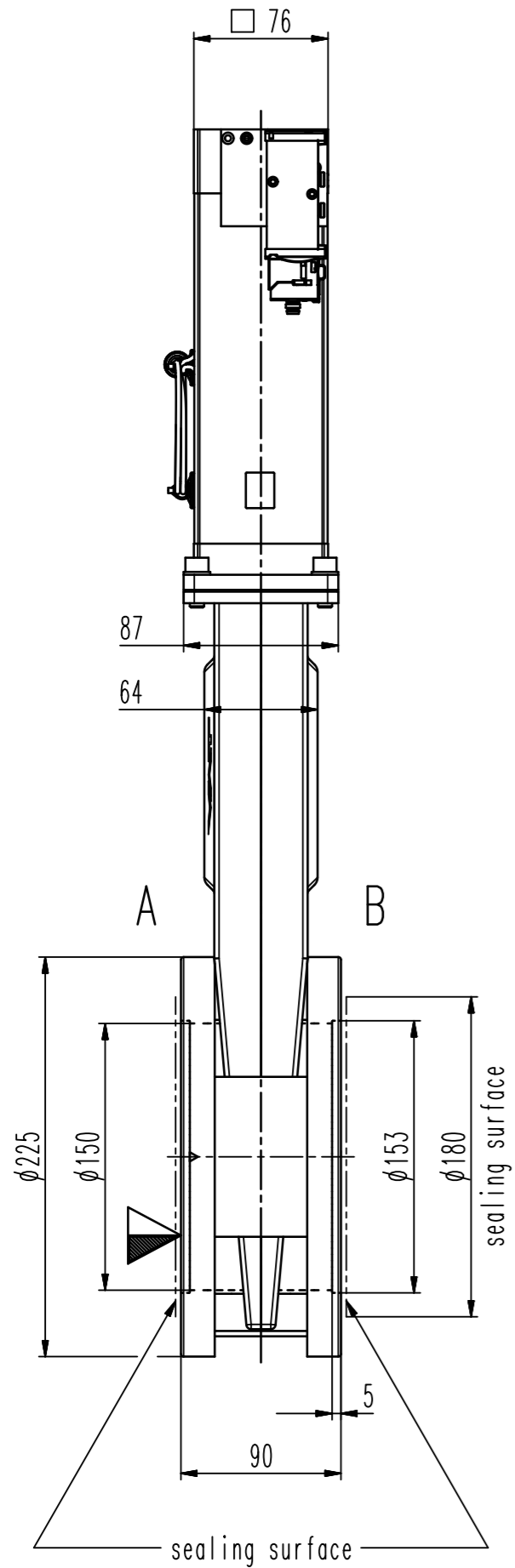


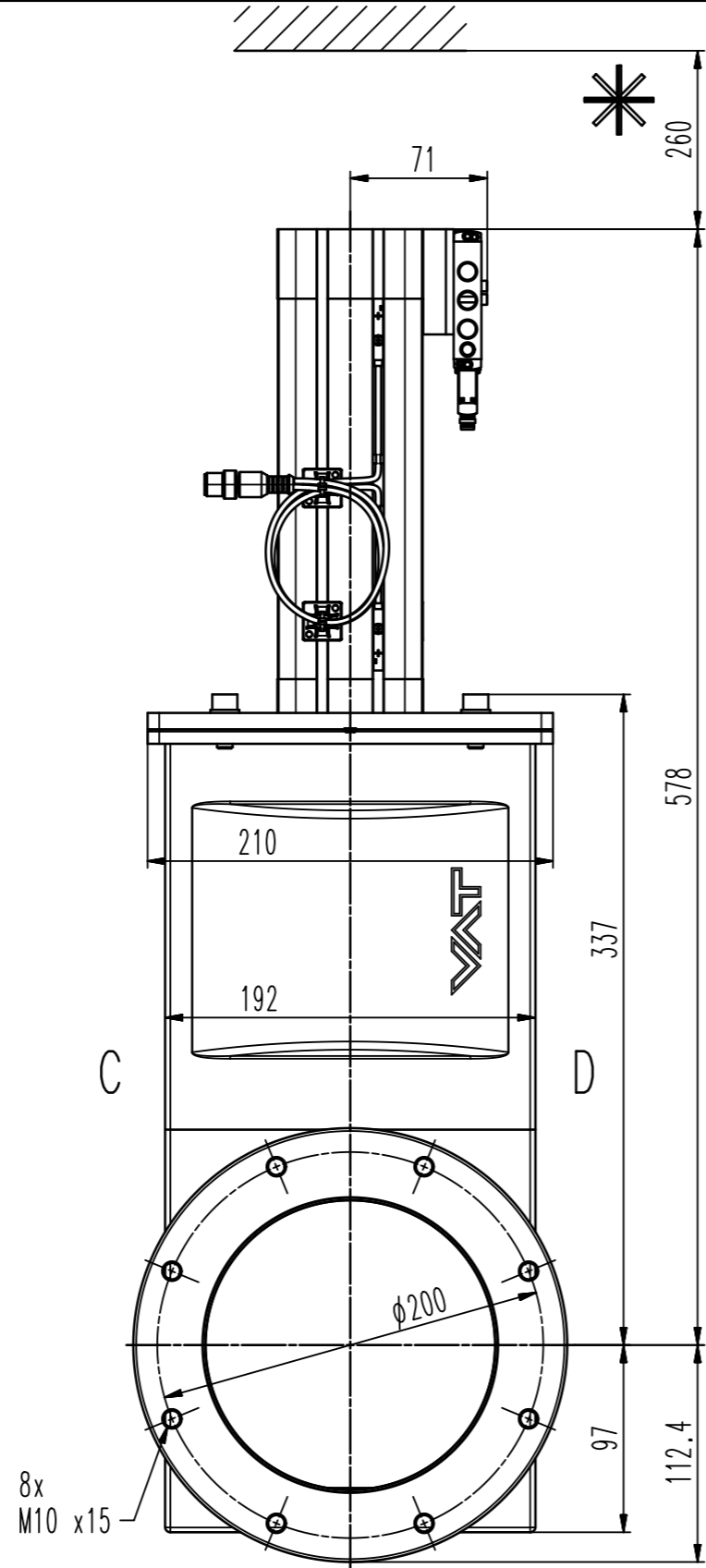
This drawing is the property of VAT.

Revision

Customer number



D-side



8x  
M10 x15

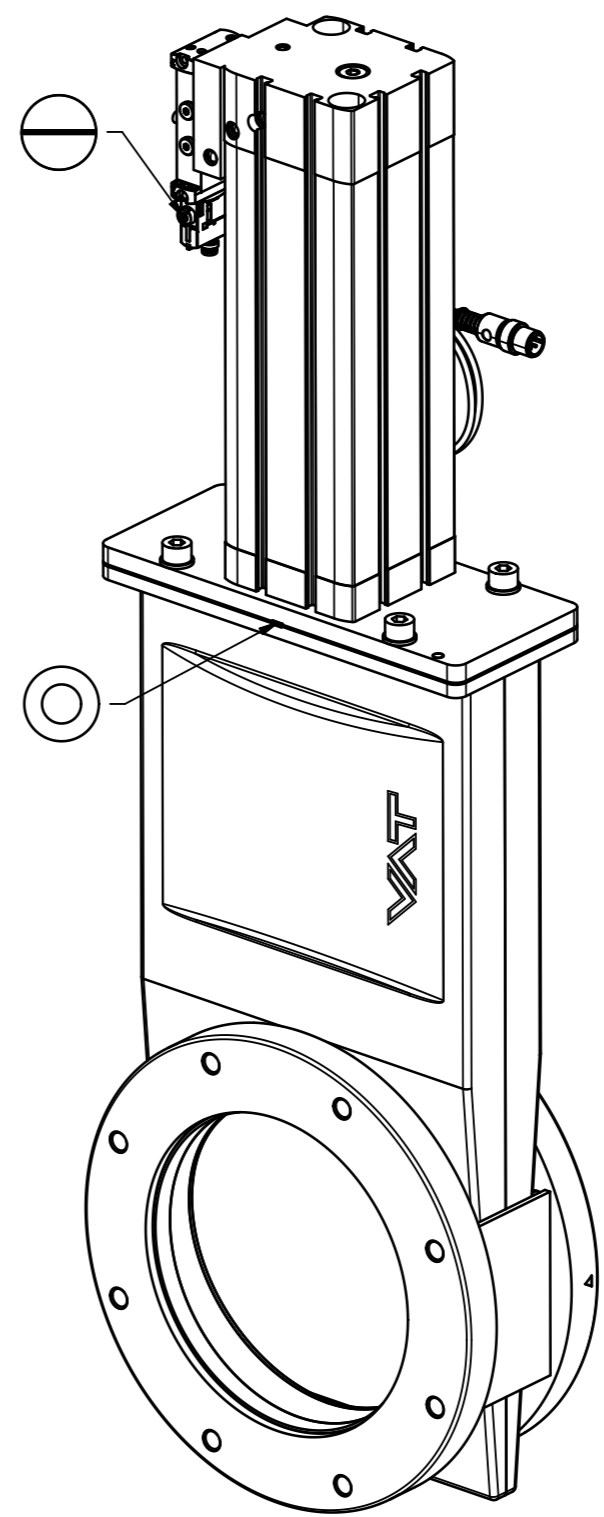
HV gate valve

- ▼ Seat side
- ⊙ Comp. air connection
- ⊙ Electrical connection
- ⊙ Leak detection port
- ⊙ Mech. pos. indication
- ⊙ Position indicator
- ⊙ Required for dismantling
- ⊙ Emergency actuation
- ⊙ For attachment
- ⊙ Bake-out area
- ⊙ Differential pumping port

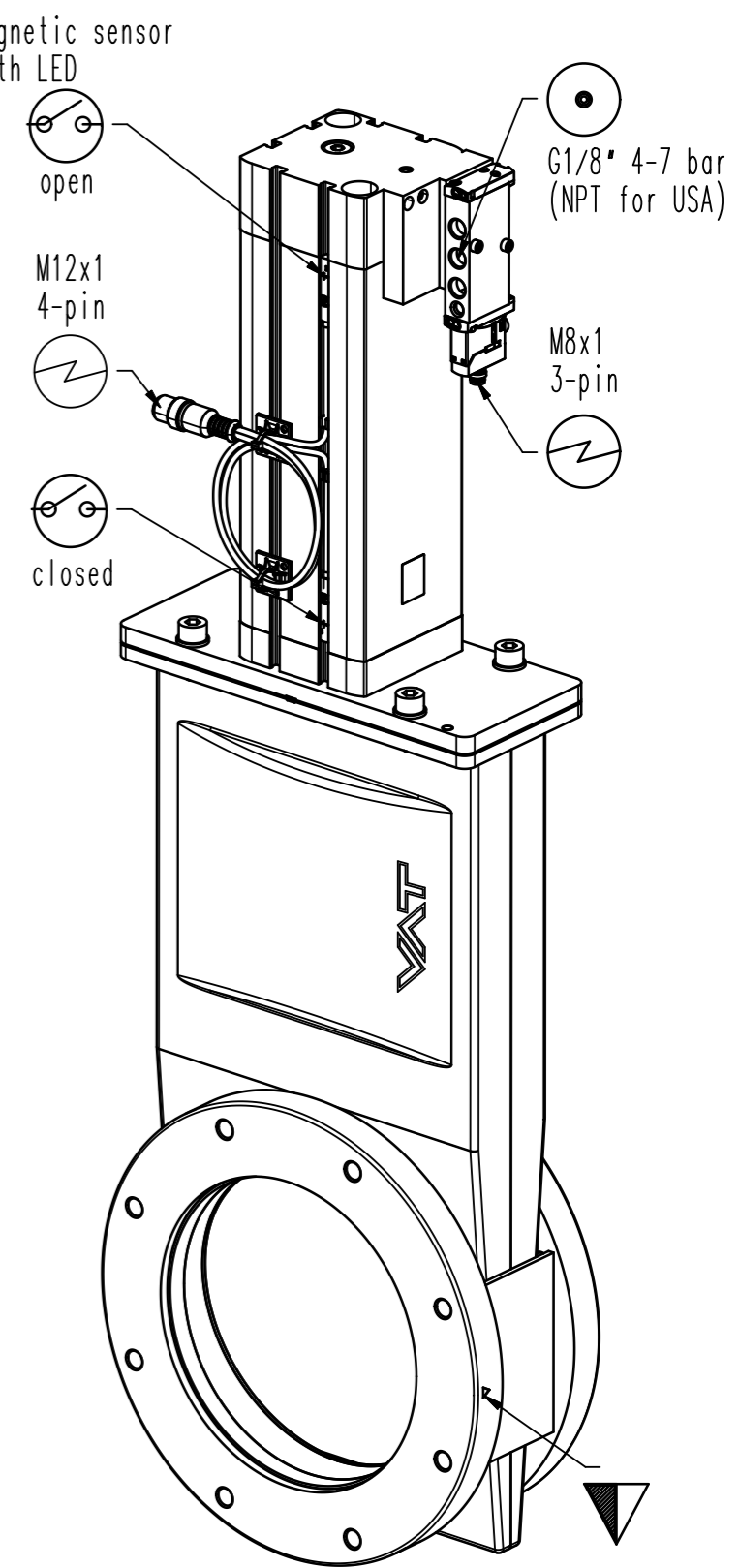


VAT Vakuumventile AG  
CH-9469 Haag, Switzerland  
Tel ++41 81 7716161 Fax ++41 81 7714830

Rev.-Date: 09.04.21  
Visa: ARS



B-side



A-(seat)side

Series	091	Ordering No.	09144-PE44-0004
Projection E	DN	Flange	ISO-F
	160		
Dimensional Drawing	1034103	Rev.	A