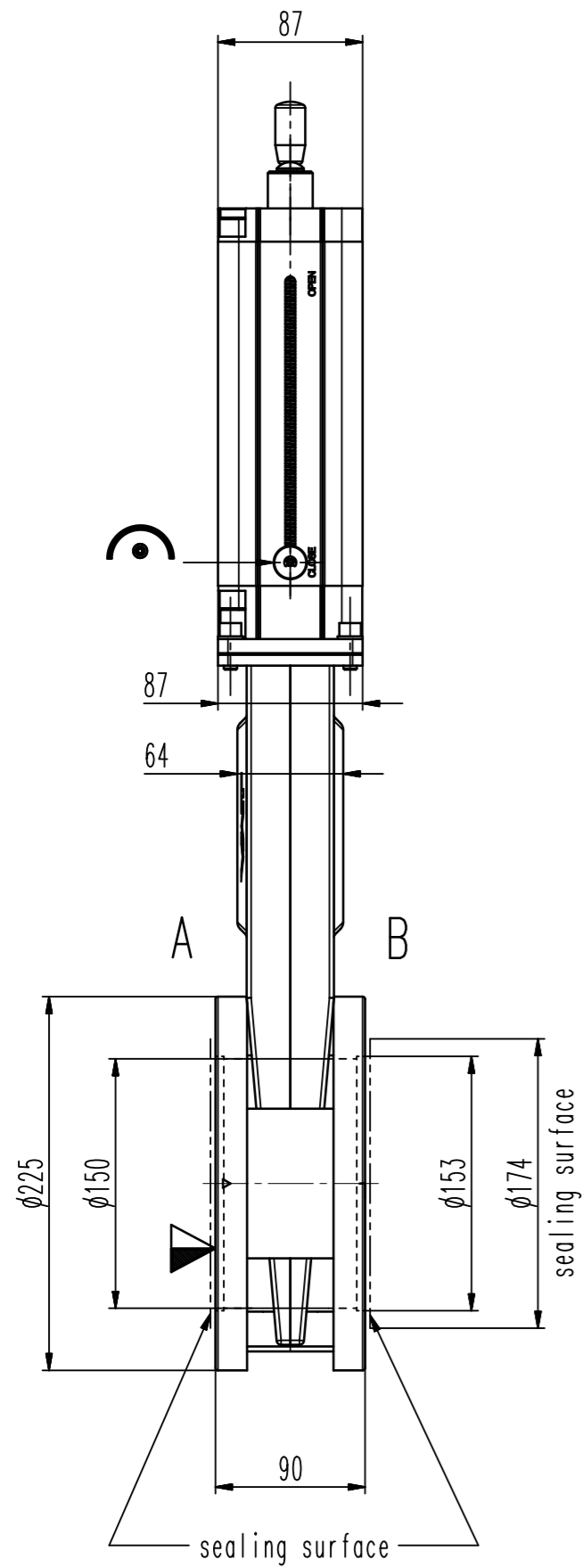


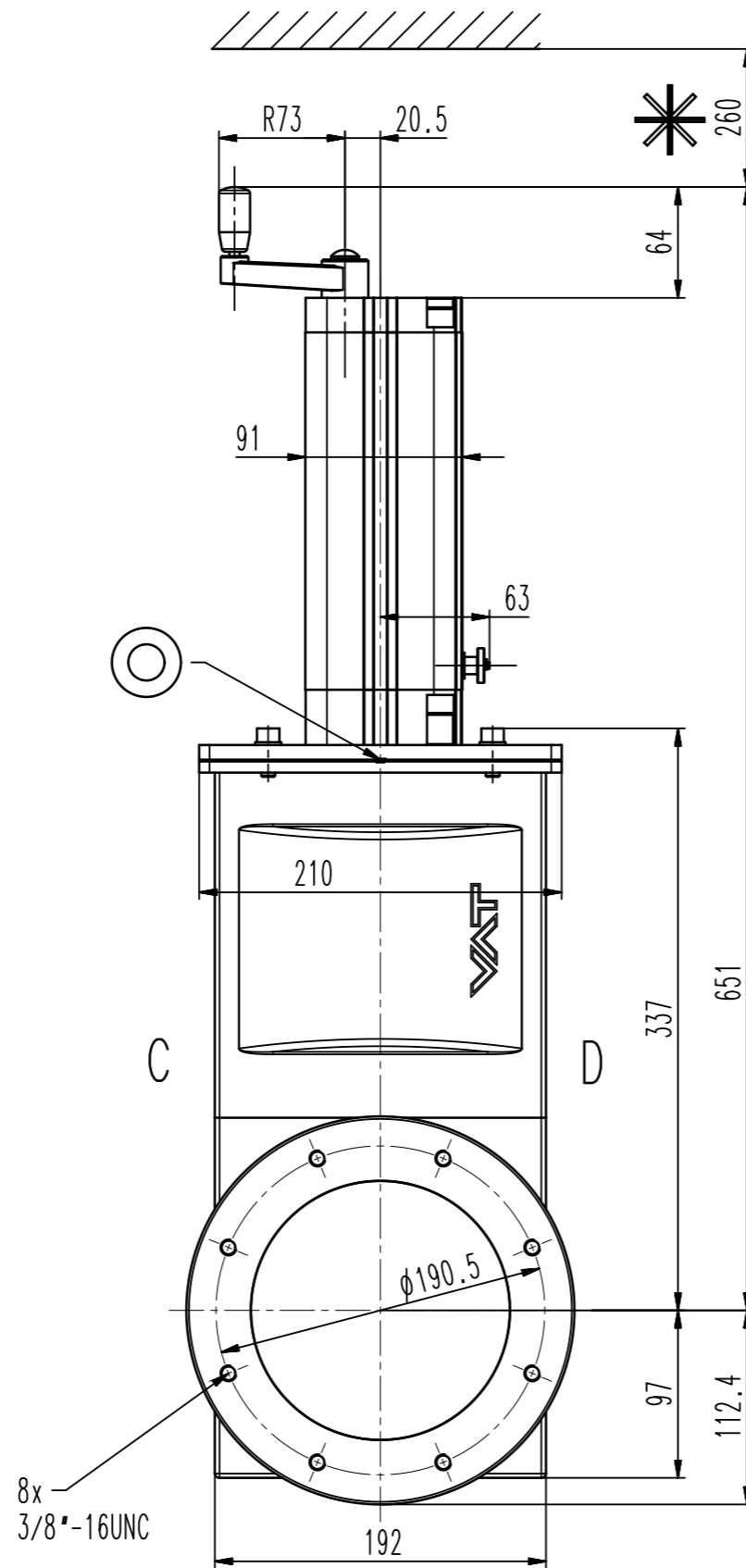
This drawing is the property of VAT.

Revision

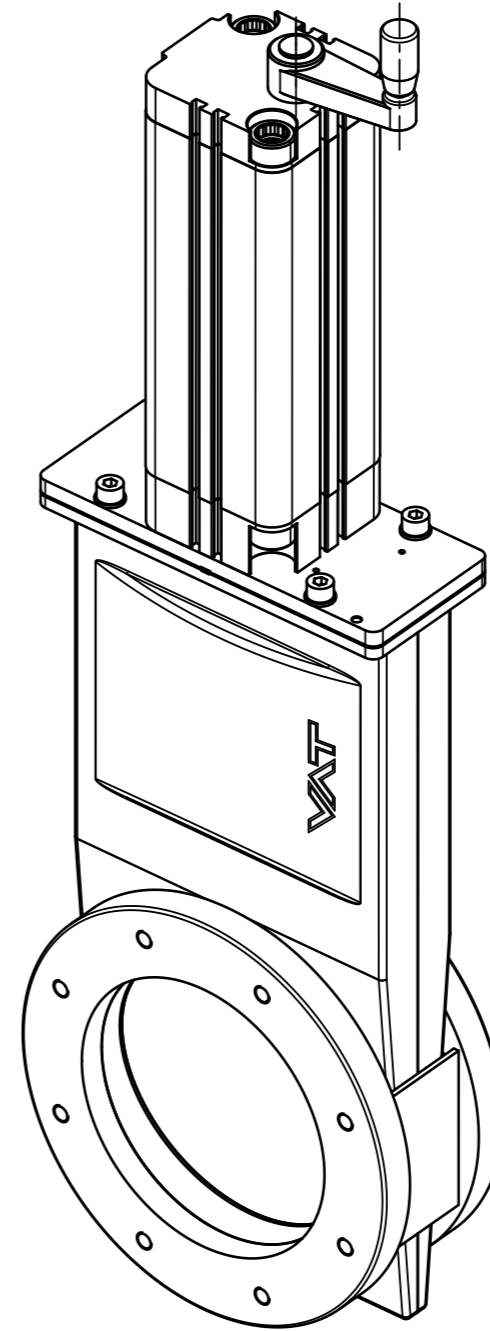
Customer number



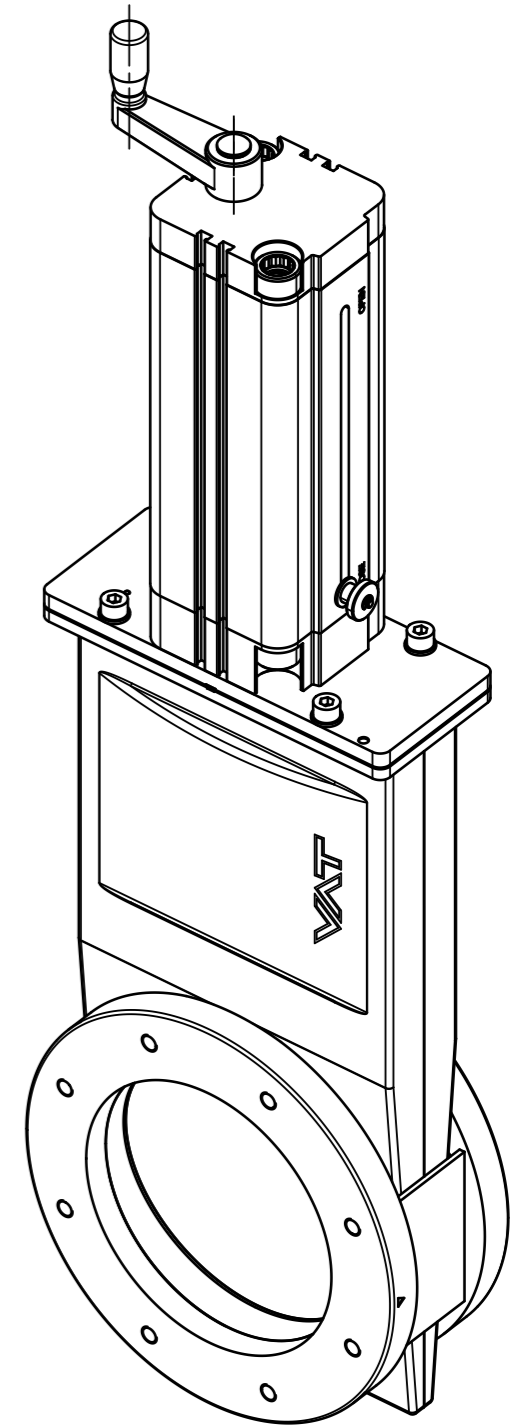
D-side



8x  
3/8"-16UNC



B-side



A-(seat)side

- ▼ Seat side
- ⊙ Comp. air connection
- ⊙ Electrical connection
- ⊙ Leak detection port
- ⊙ Mech. pos. indication
- ⊙ Position indicator
- ⊙ Required for dismantling
- ⊙ Emergency actuation
- ⊙ For attachment
- ⊙ Bake-out area
- ⊙ Differential pumping port

HV gate valve



VAT Vakuumventile AG  
CH-9469 Haag, Switzerland  
Tel ++41 81 7716161 Fax ++41 81 7714830

Rev.-Date: 24.05.19  
Visa: MAEM

Series	091	Ordering No.	09144-TE01-0001
Projection E	DN	Flange	ASA-LP
	160		
Dimensional Drawing	982650	Rev.	