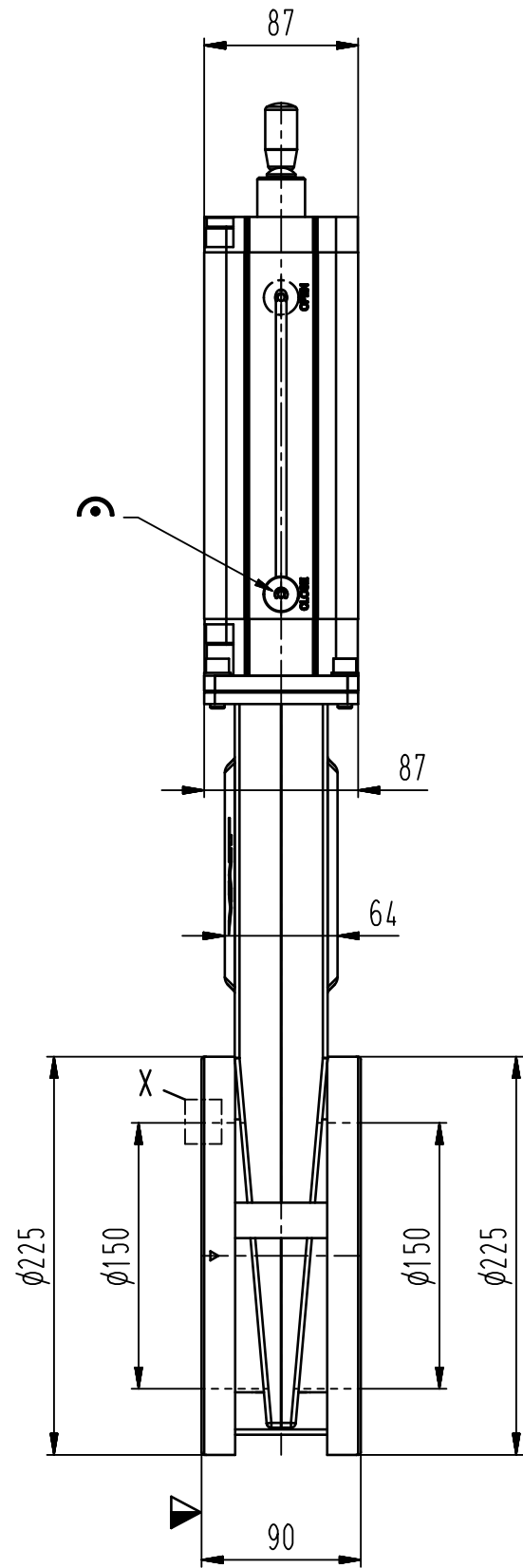
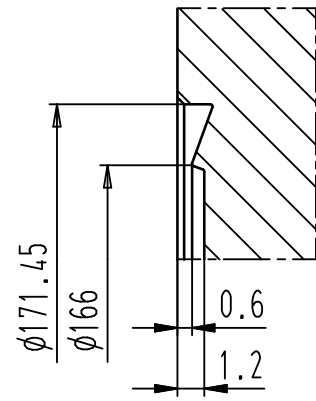


This drawing is the property of VAT.

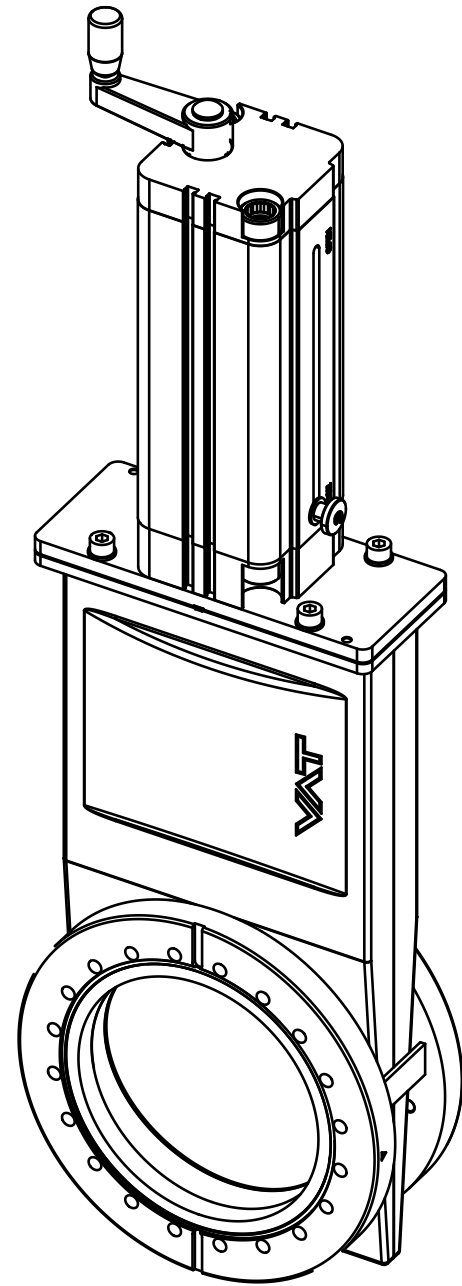
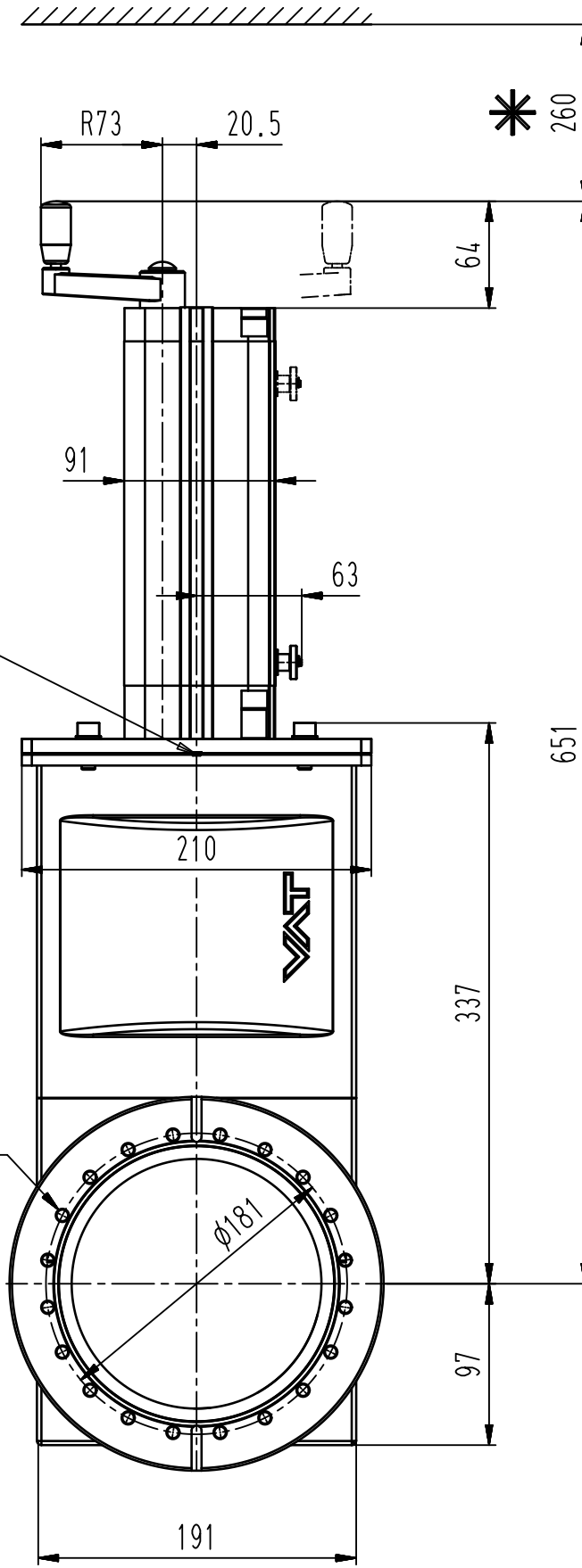
Revision

Customer number

Detail X  
knife edge



20x 5/16"-24UNF, 12deep



- ▼ Seat side
- ⊙ Comp. air connection
- ⊕ Electrical connection
- ⊖ Leak detection port
- ⊙ Mech. pos. indication
- ⊙ Position indicator
- ⊙ \* Required for dismantling
- ⊙ Emergency actuation
- ⊙ For attachment
- ⊙ Bake-out area
- ⊙ Differential pumping port

HV gate valve



VAT Vakuumventile AG  
CH-9469 Haag, Switzerland  
Tel ++41 81 7716161 Fax ++41 81 7714830

Rev.-Date: 30.04.14  
Visa: MAEM

Series	091	Ordering No.	09144-UE01-0001
Projection E	DN	Flange	
	160	CF-F UNF	
Dimensional Drawing	309158	Rev.	B