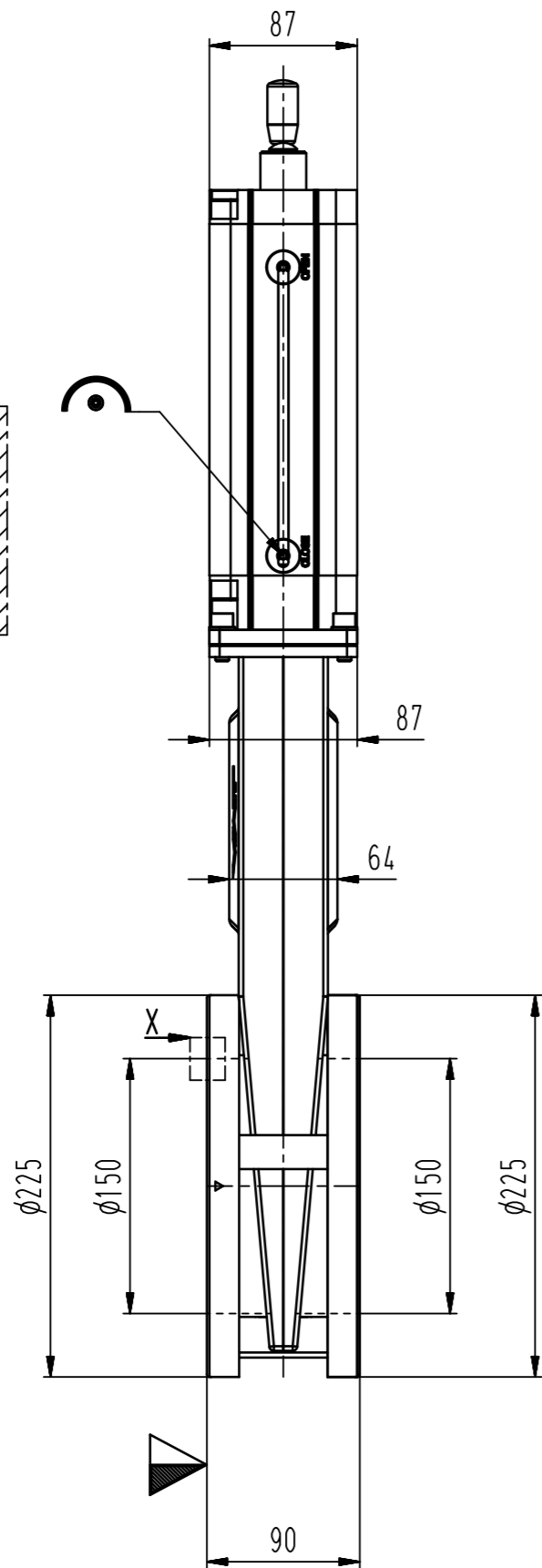
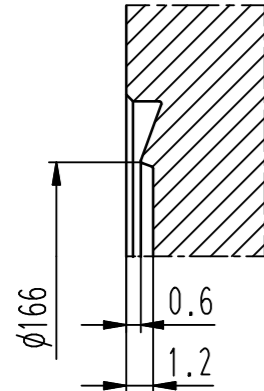


This drawing is the property of VAT.

Revision

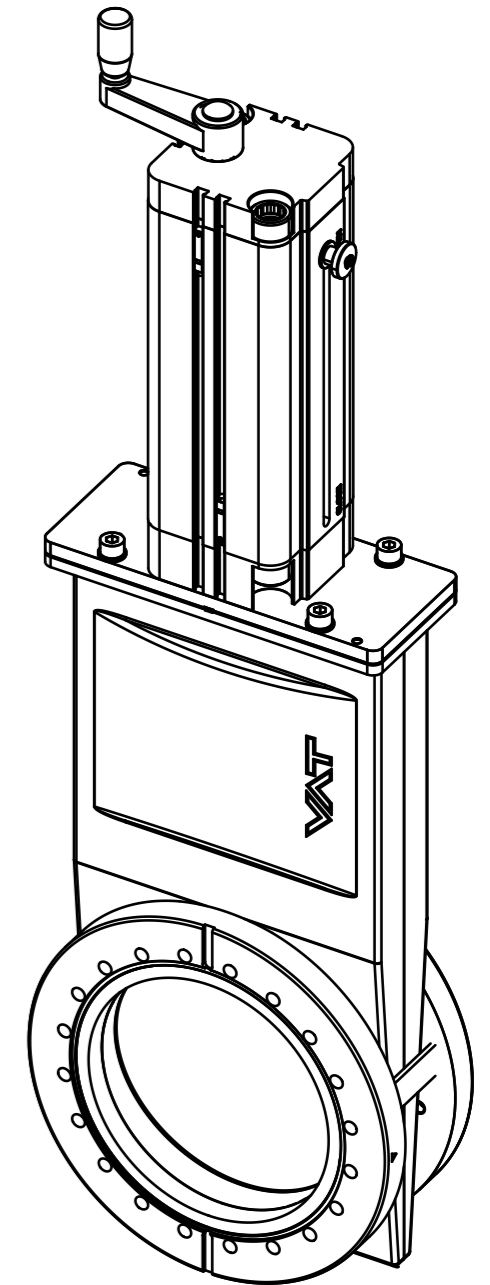
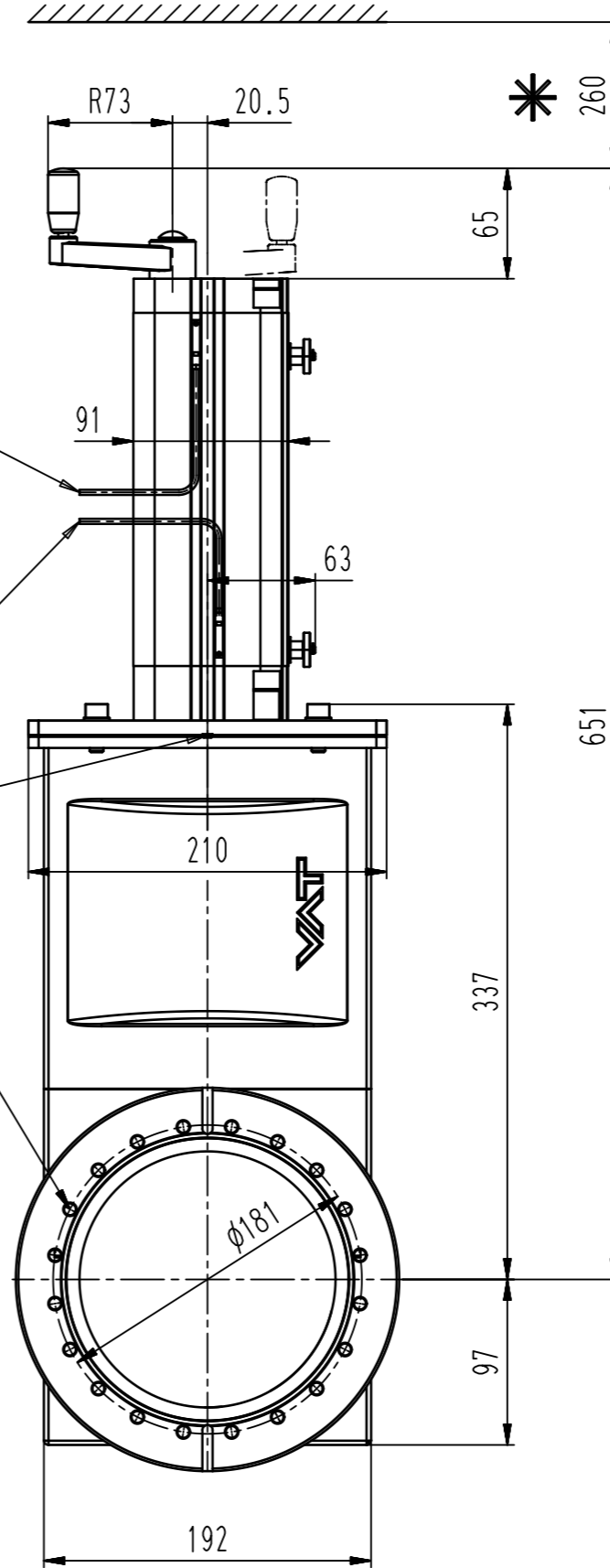
Customer number

Detail X
knife edge



20x 5/16"-24UNF, 12deep

OPEN
magnetic sensor (PNP)
with LED
3-pin cable 2.5m
CLOSE



- ▼ Seat side
- ⊙ Comp. air connection
- ⊙ Electrical connection
- ⊙ Leak detection port
- ⊙ Mech. pos. indication
- ⊙ Position indicator
- ⊙ Required for dismantling
- ⊙ Emergency actuation
- ⊙ For attachment
- ⊙ Bake-out area
- ⊙ Differential pumping port

HV gate valve



VAT Vakuumventile AG

CH-9469 Haag, Switzerland
Tel ++41 81 7716161 Fax ++41 81 7714830

Rev.-Date: 30.04.14

Visa: MAEM

Series	Ordering No.	
091	09144-UE08-0001	
Projection E	DN	Flange
	160	CF-F UNF
Dimensional Drawing	348490	Rev. B