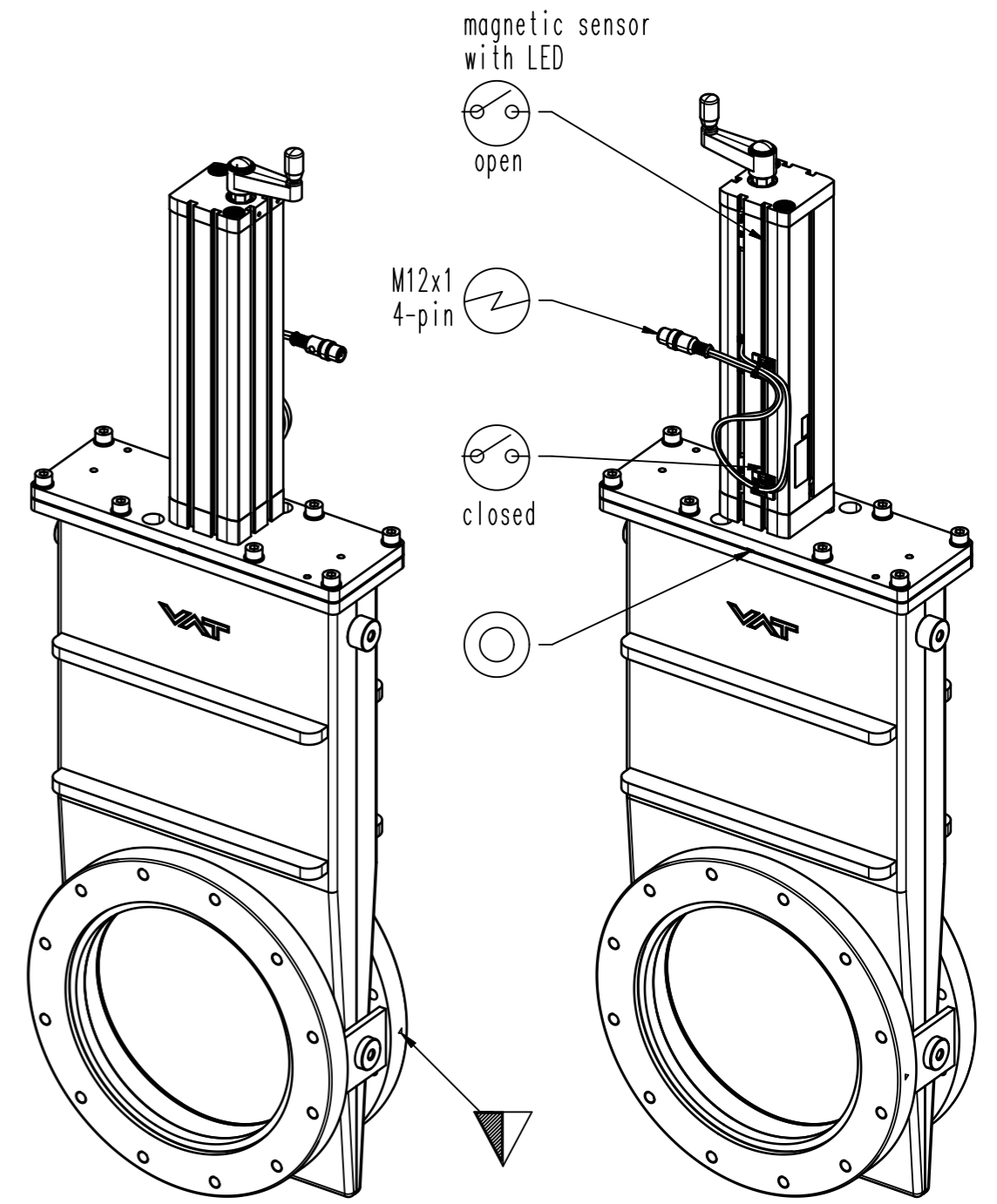
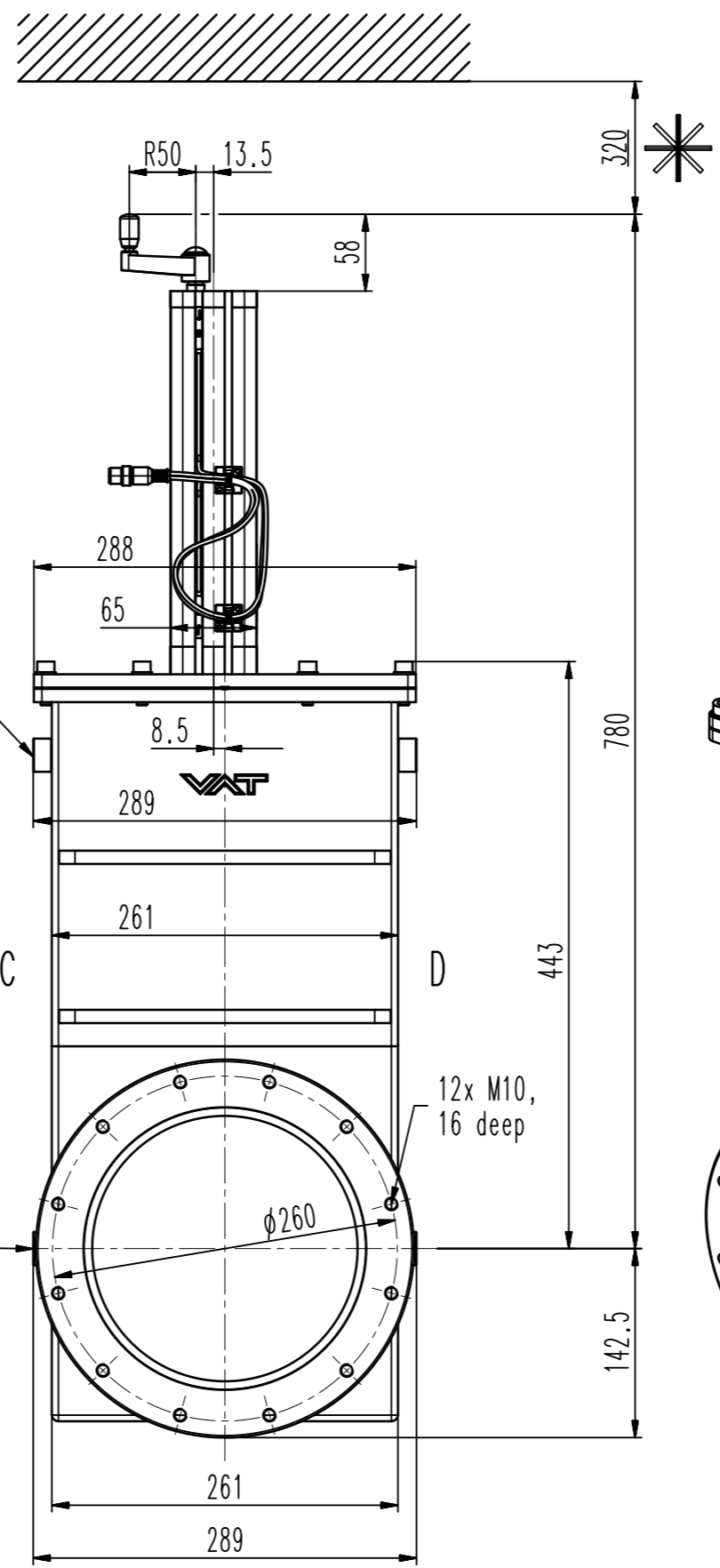


Lifting eye bolt
M8 2x DIN 5691



B - side

A - (seat) side

M8 - 14 deep 2x
Lifting point suitable
for eye bolt DIN 5691

- ▼ Seat side
- Comp. air connection
- Electrical connection
- Leak detection port
- Mech. pos. indication
- Position indicator
- * Required for dismantling
- Emergency actuation
- For attachment
- Bake-out area
- Differential pumping port

HV gate valve



VAT Vakuumventile AG
CH-9469 Haag, Switzerland
Tel ++41 81 7716161 Fax ++41 81 7714830

Rev.-Date: 06.02.23
Visa: MAEM

Series	091	Ordering No.	09146-PE08-0001
Projection E	DN	Flange	
	200	ISO-F	
Dimensional Drawing	1208750	Rev.	A