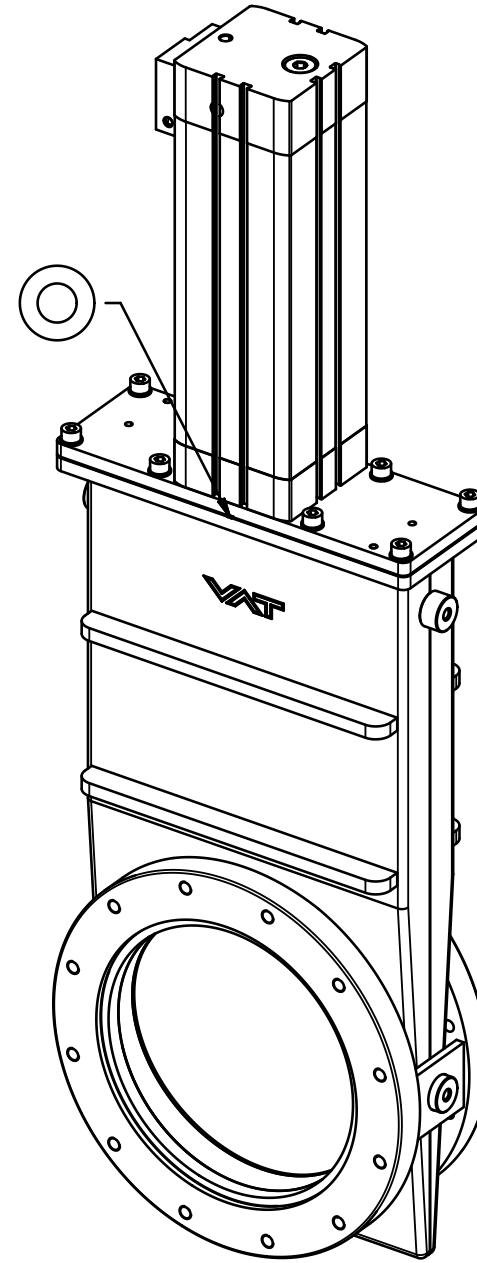
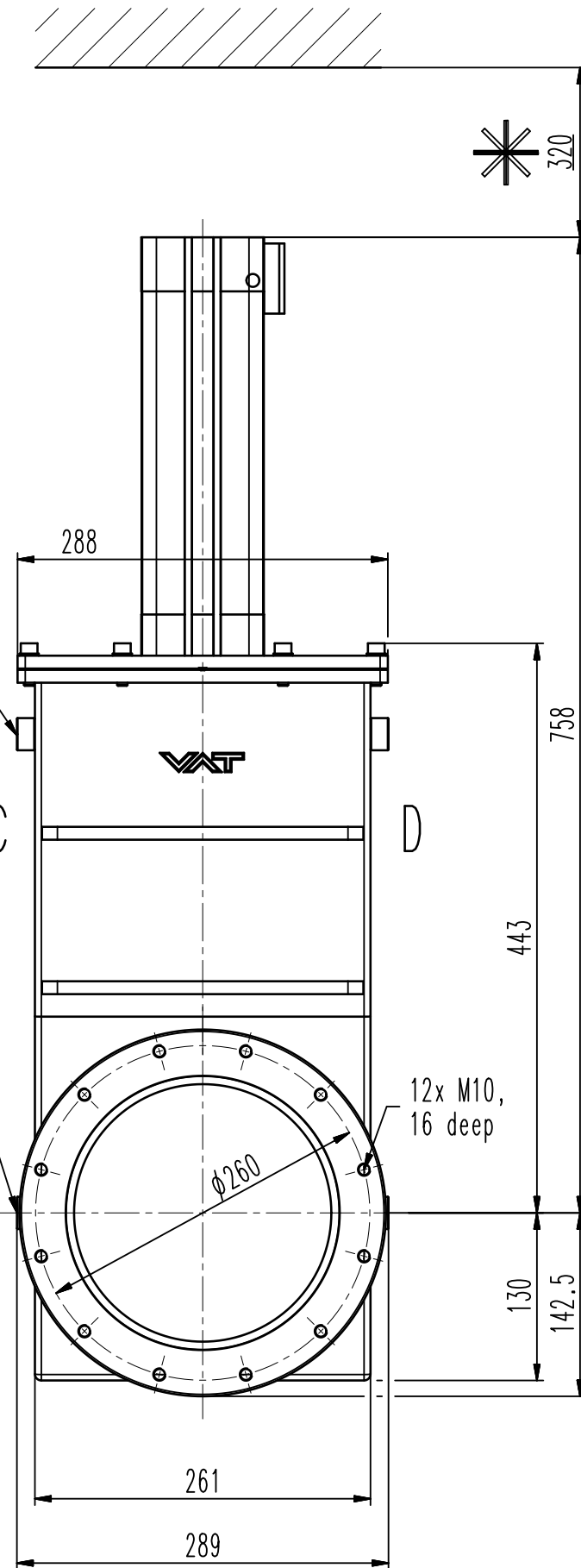
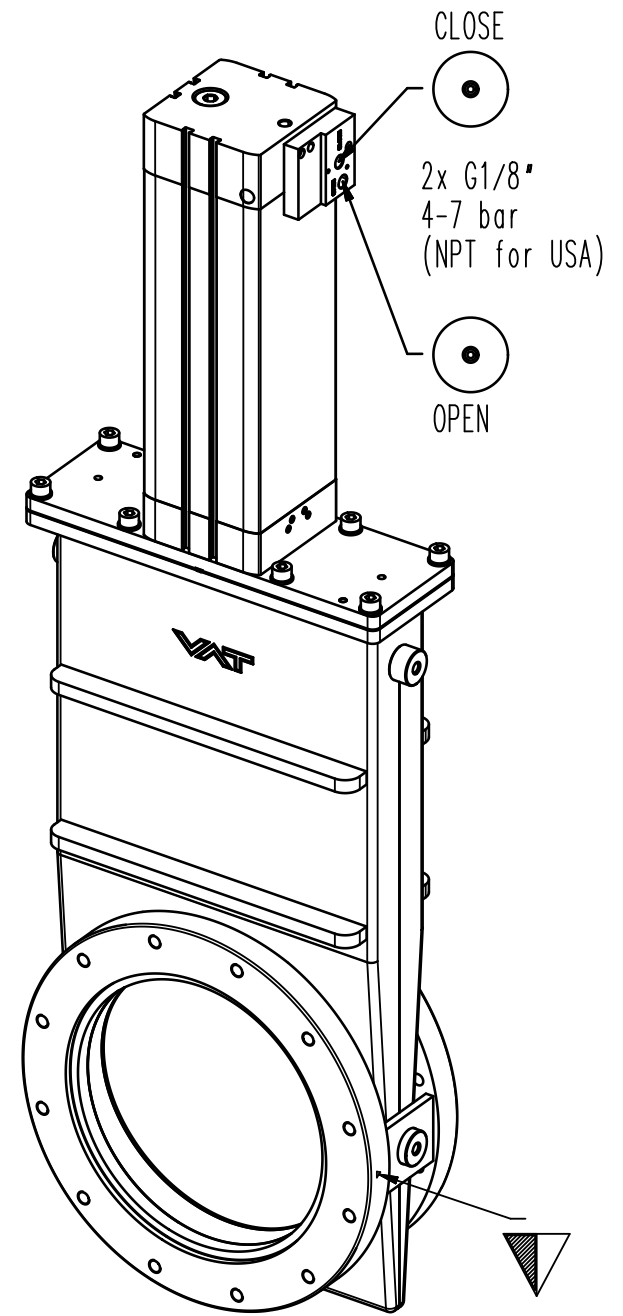


Lifting eye bolt
M8 (2x) DIN 5691

M8 - 14 deep (2x)
Lifting point suitable
for eye bolt DIN 5691



B - side



A - (seat) side

- ▼ Seat side
- Comp. air connection
- ⊕ Electrical connection
- Leak detection port
- ⊕ Mech. pos. indication
- Position indicator
- ★ Required for dismantling
- ⊕ Emergency actuation
- ⊕ For attachment
- ⊕ Bake-out area
- ⊕ Differential pumping port

HV gate valve



VAT Vakuumventile AG
CH-9469 Haag, Switzerland
Tel ++41 81 7716161 Fax ++41 81 7714830

Rev.-Date: 07.02.23
Visa: MAEM

Series	091	Ordering No.	09146-PE14-0001
Projection E	DN	Flange	
	200	ISO-F	
Dimensional Drawing	1208896	Rev.	A