



VAT Vakuumventile AG
CH-9469 Haag, Schweiz

Product data sheet

HV gate valve

Series 091, DN 200 (8")

Ordering No. 09146-PE34-0001

Description

Flange	ISO-F 200
Actuator	Pneumatic, double acting – with solenoid valve – without position indicator
Feedthrough	Bellows

Technical data

Leak rate	– Valve body – Valve seat	$< 1 \cdot 10^{-9}$ mbar ls ⁻¹ $< 1 \cdot 10^{-7}$ mbar ls ⁻¹
Pressure range		$1 \cdot 10^{-8}$ mbar to 1.2 bar (abs)
Differential pressure on the plate		≤ 1.2 bar
Differential pressure at actuation	– In opening direction – In closing direction	≤ 1 bar ¹ ≤ 30 mbar (1 bar with reduced cycle life) ²
Conductance (molecular flow)		9 500 ls ⁻¹
Cycles until first service		1 000 (unheated and under clean conditions)
Temperature (Maximum values: depending on operating conditions and sealing materials)	– Valve body – Actuator – Solenoid valve	≤ 180 °C ≤ 100 °C ≤ 50 °C
Heating and cooling rate		50 °C h ⁻¹
Material	– Valve body – Gate – Bellows – Small parts	AISI 304 (1.4301) AISI 304 (1.4301, 1.4308) AISI 633 (AM350) A2 Ni-PTFE coated, PEEK
Seal	– Bonnet – Gate – Actuator	FKM FKM FKM, PU
Mounting position		any
Volume of pneumatic actuator		1.18 l / 0.042 ft ³
Compressed air min. – max. overpressure		4 – 7 bar / 58 – 102 psi
Compressed air connection		G1/8" (NPT for USA)
Actuation time		≤ 1.1 s

¹ Differential pressure supports gate to open

² Differential pressure supports gate to stay closed. Therefore cycle life reduced due to increased wear of gate seal

Created by: BRR	Release date: 08.11.2023	1/2
Modified by:	Release date:	1257534EA



VAT Vakuumventile AG
CH-9469 Haag, Schweiz

Product data sheet

HV gate valve

Series 091, DN 200 (8")

Ordering No. 09146-PE34-0001

Weight

33 kg / 72.7 lbs

Behavior in case of compressed air pressure drop

- Valve closed
- Valve open
- During actuation

valve remains closed ($\geq 24h$)
undefined
undefined

Behavior in case of power failure

- Valve closed
- Valve open
- During actuation

valve remains closed ($\geq 24h$)
valve closes
valve closes

Related documents

Dimensional drawing No. 1208912

Electrical connections

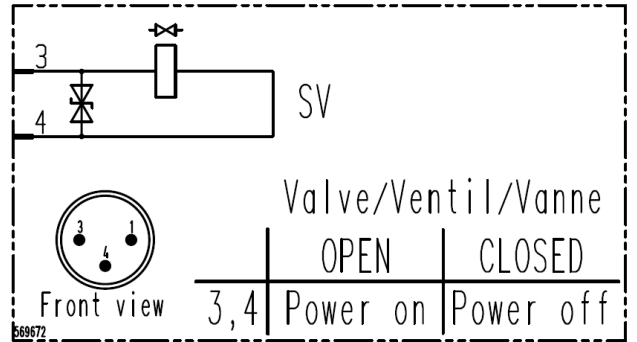
Solenoid valve

Type

5/2 way

Voltage

24 V DC



Wiring diagram

Created by: BRR	Release date: 08.11.2023	2/2
Modified by:	Release date:	1257534EA