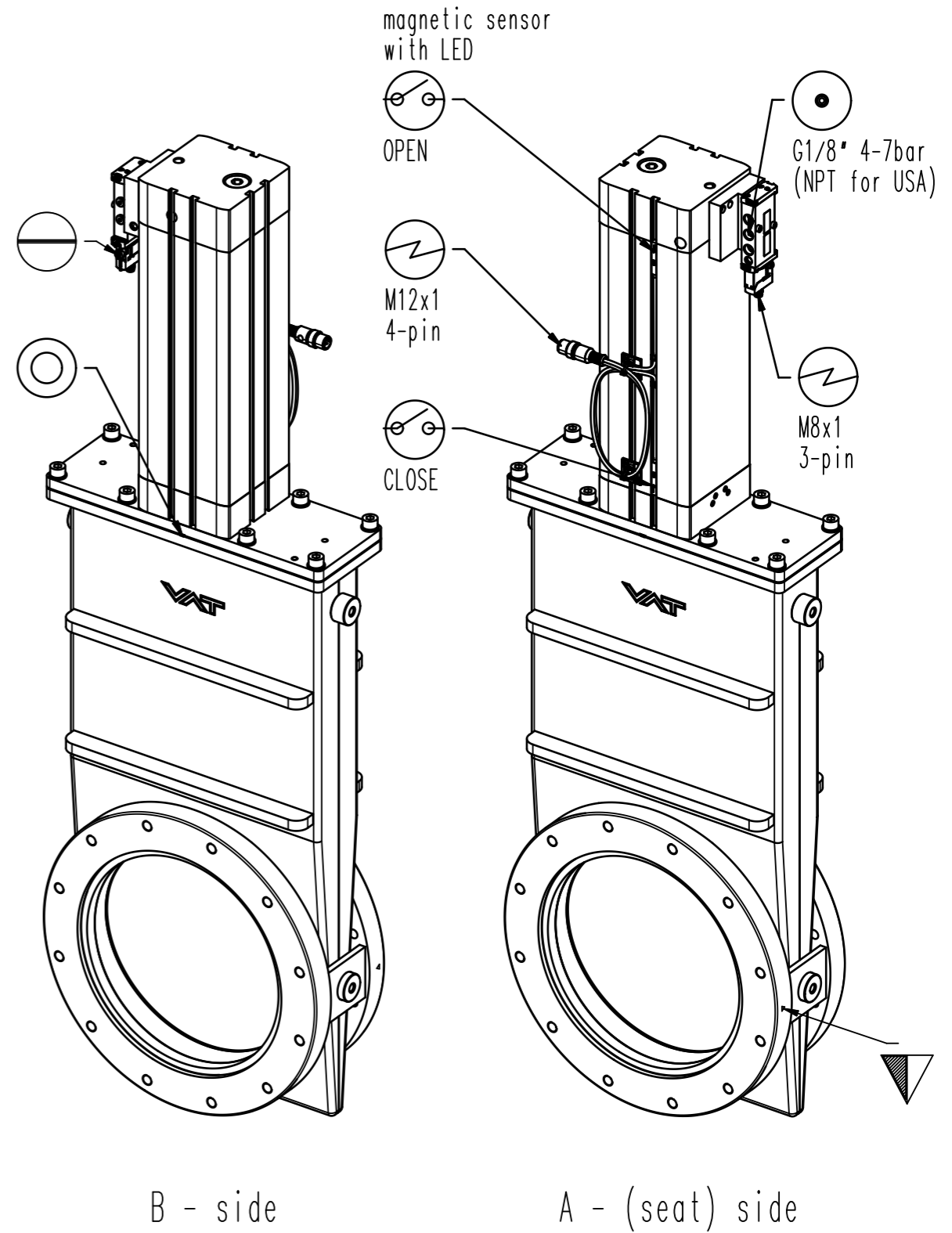
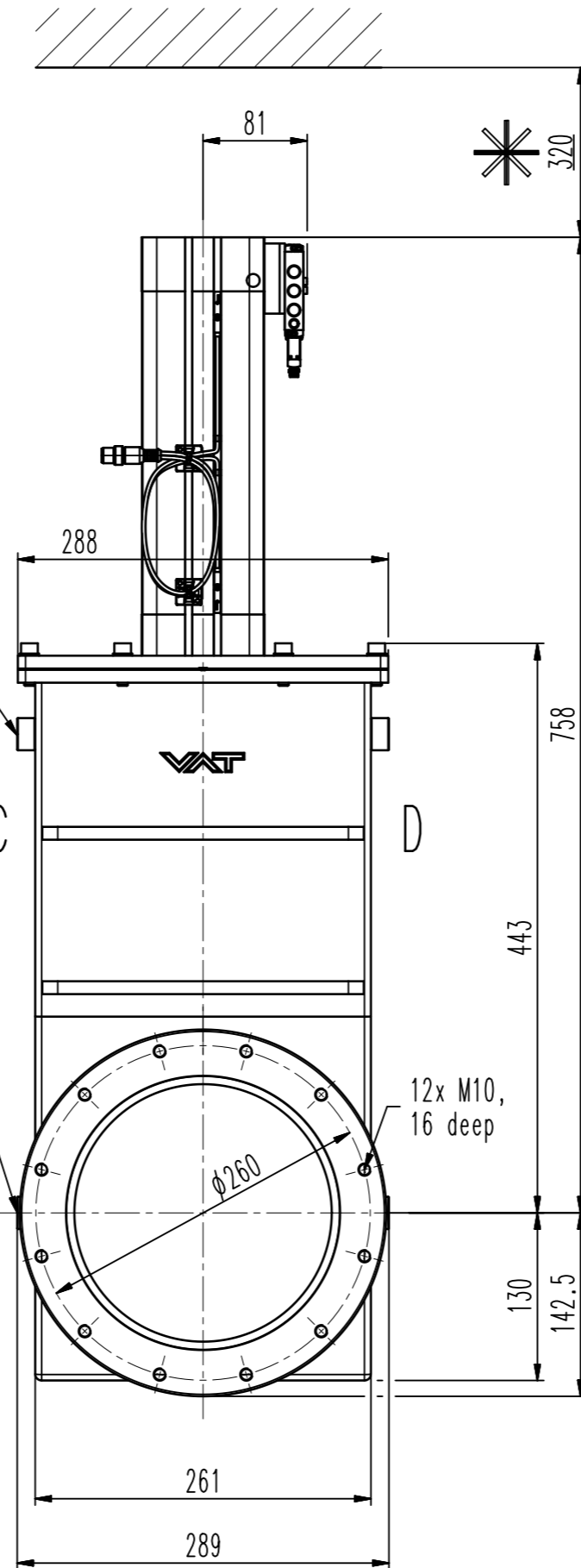


Lifting eye bolt
M8 (2x) DIN 5691

M8 - 14 deep (2x)
Lifting point suitable
for eye bolt DIN 5691



- ▼ Seat side
- ⊙ Comp. air connection
- ⊙ Electrical connection
- ⊙ Leak detection port
- ⊙ Mech. pos. indication
- ⊙ Position indicator
- ⊙ Required for dismantling
- ⊙ Emergency actuation
- ⊙ For attachment
- ⊙ Bake-out area
- ⊙ Differential pumping port

HV gate valve



VAT Vakuumventile AG
CH-9469 Haag, Switzerland
Tel ++41 81 7716161 Fax ++41 81 7714830

Rev.-Date: 03.11.21
Visa: ARS

Series	091	Ordering No.	09146-PE44-0002
Projection E	DN	Flange	
	200	ISO-F	
Dimensional Drawing	1015064	Rev.	B