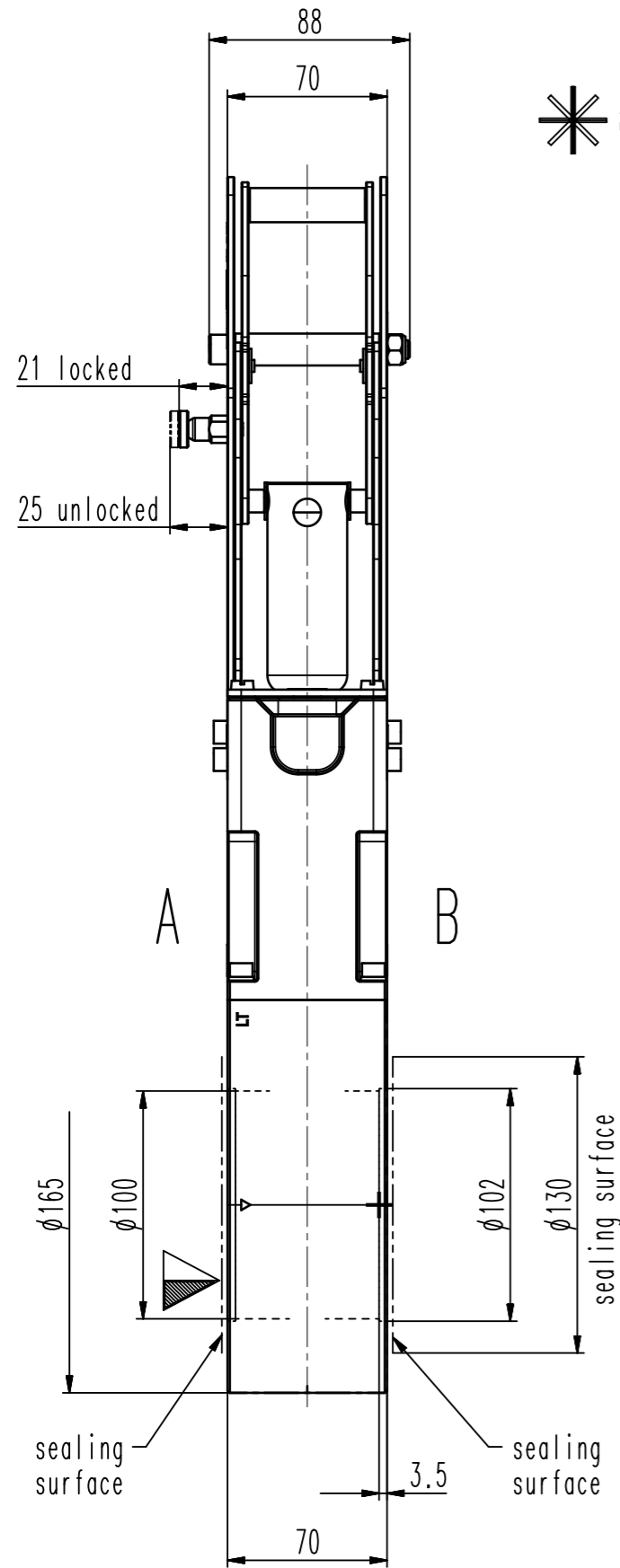


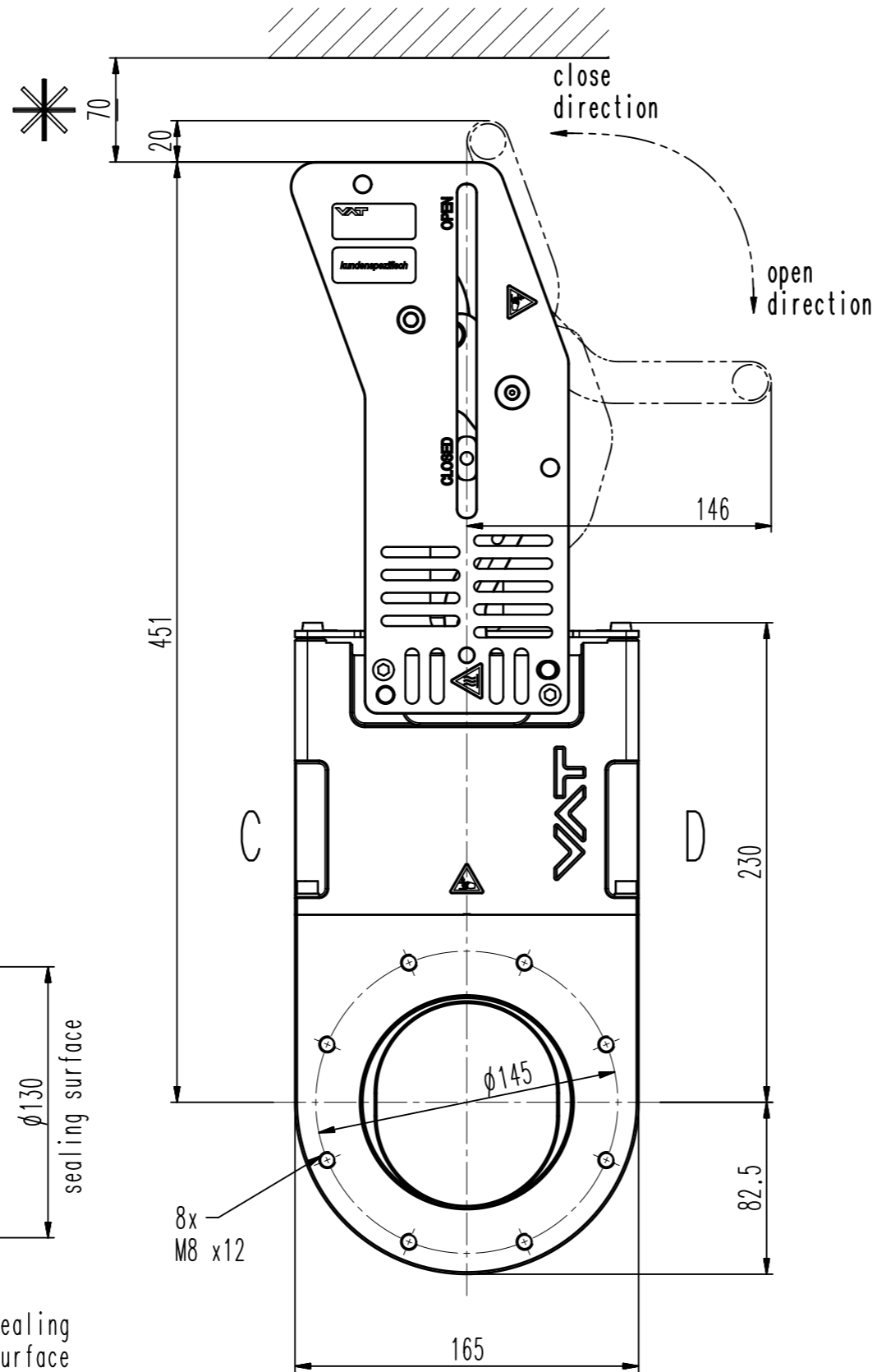
This drawing is the property of VAT.

Revision

Customer number

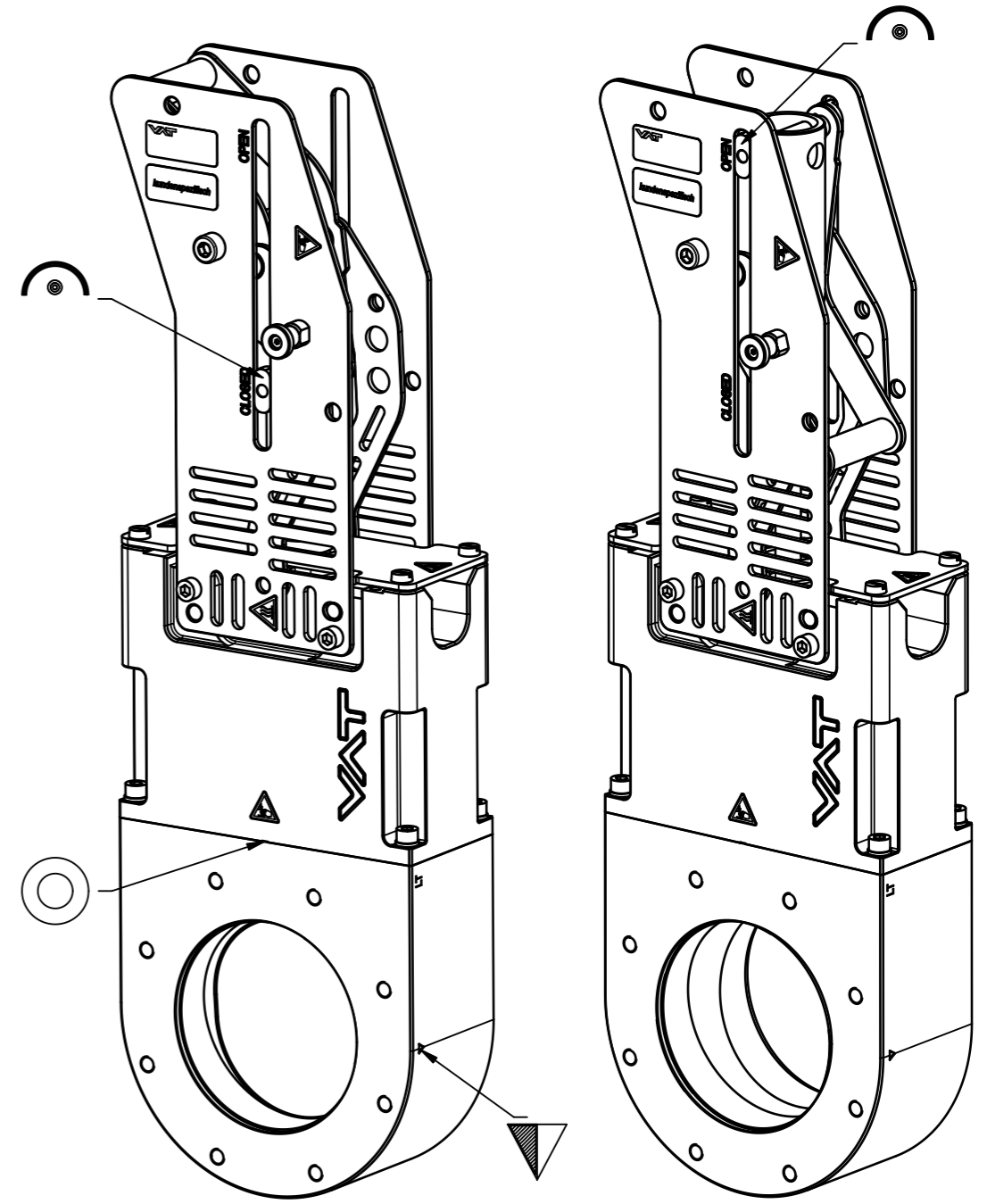


D-side



Valve closed

Valve open



A-(seat) side

- ▼ Seat side
- ⊙ Comp. air connection
- ⊙ Electrical connection
- ⊙ Leak detection port
- ⊙ Mech. pos. indication
- ⊙ Position indicator
- ⊙ Required for dismantling
- ⊙ Emergency actuation
- ⊙ For attachment
- ⊙ Bake-out area
- ⊙ Differential pumping port

HV gate valve



VAT Vakuumentile AG

CH-9469 Haag, Switzerland
Tel ++41 81 7716161 Fax ++41 81 7714830

Rev.-Date: 07.10.22

Visa: MAEM

Series

E092

Ordering No.

09240-PI06-0001

Projection E



DN

100

Flange

ISO-F

Dimensional Drawing

1189102

Rev.

A

PROTOTYP