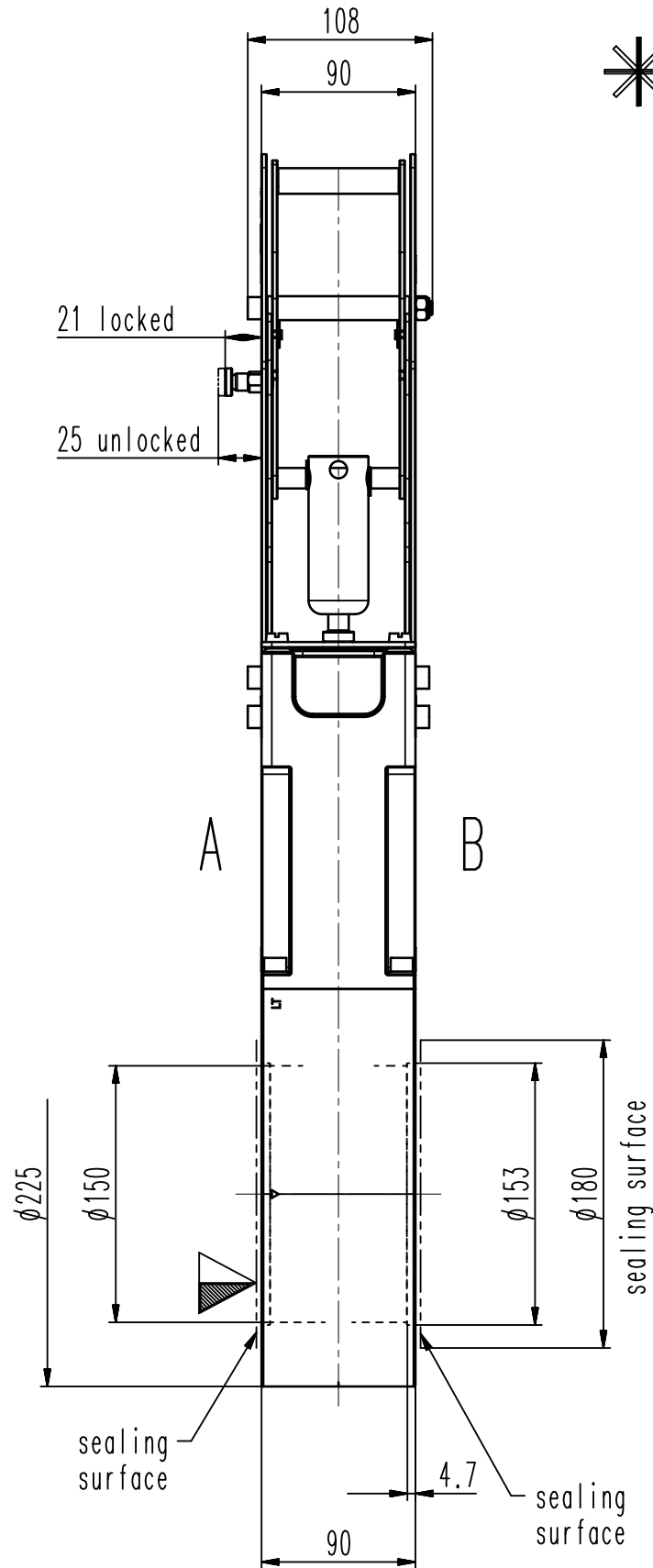


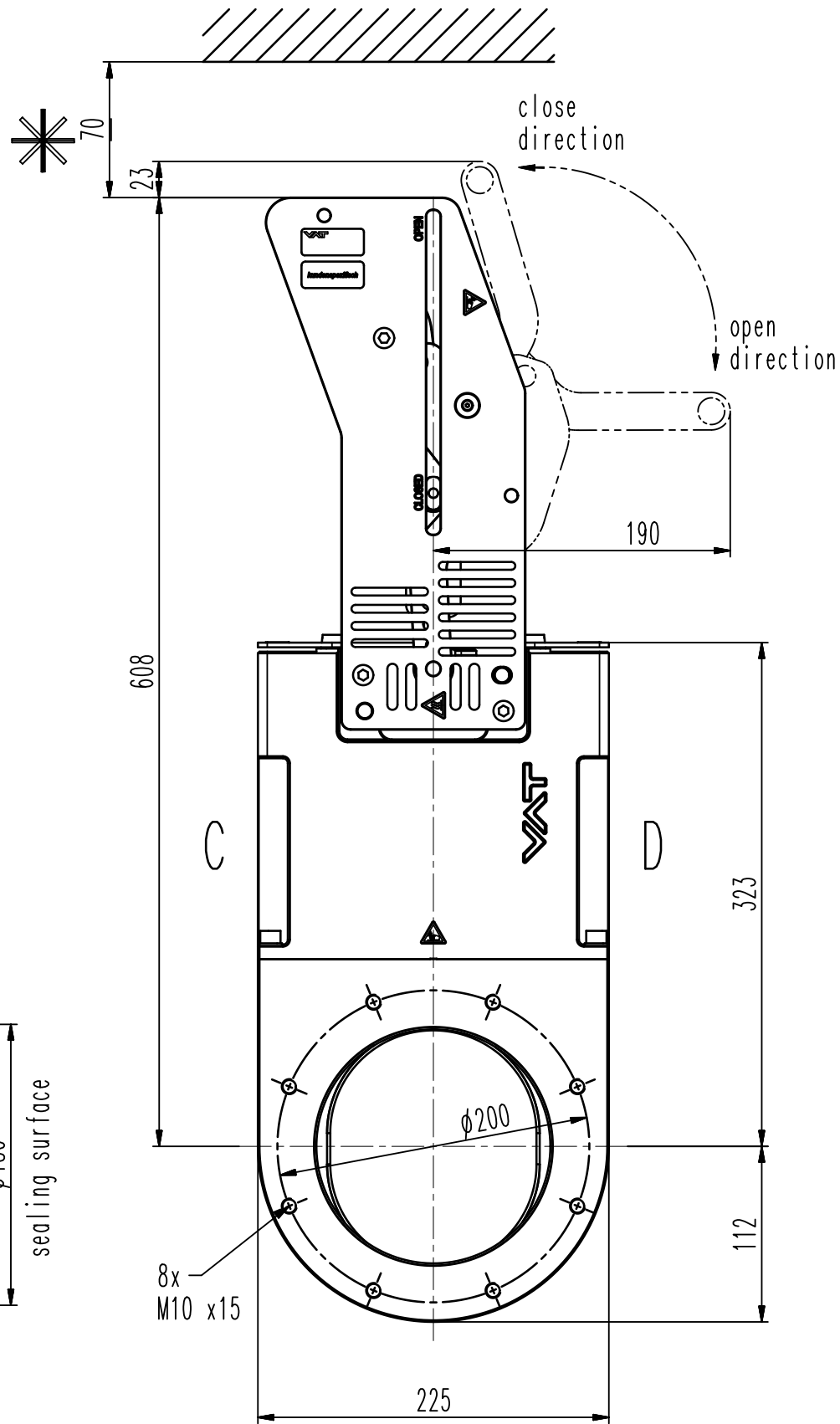
This drawing is the property of VAT.

Revision

Customer number

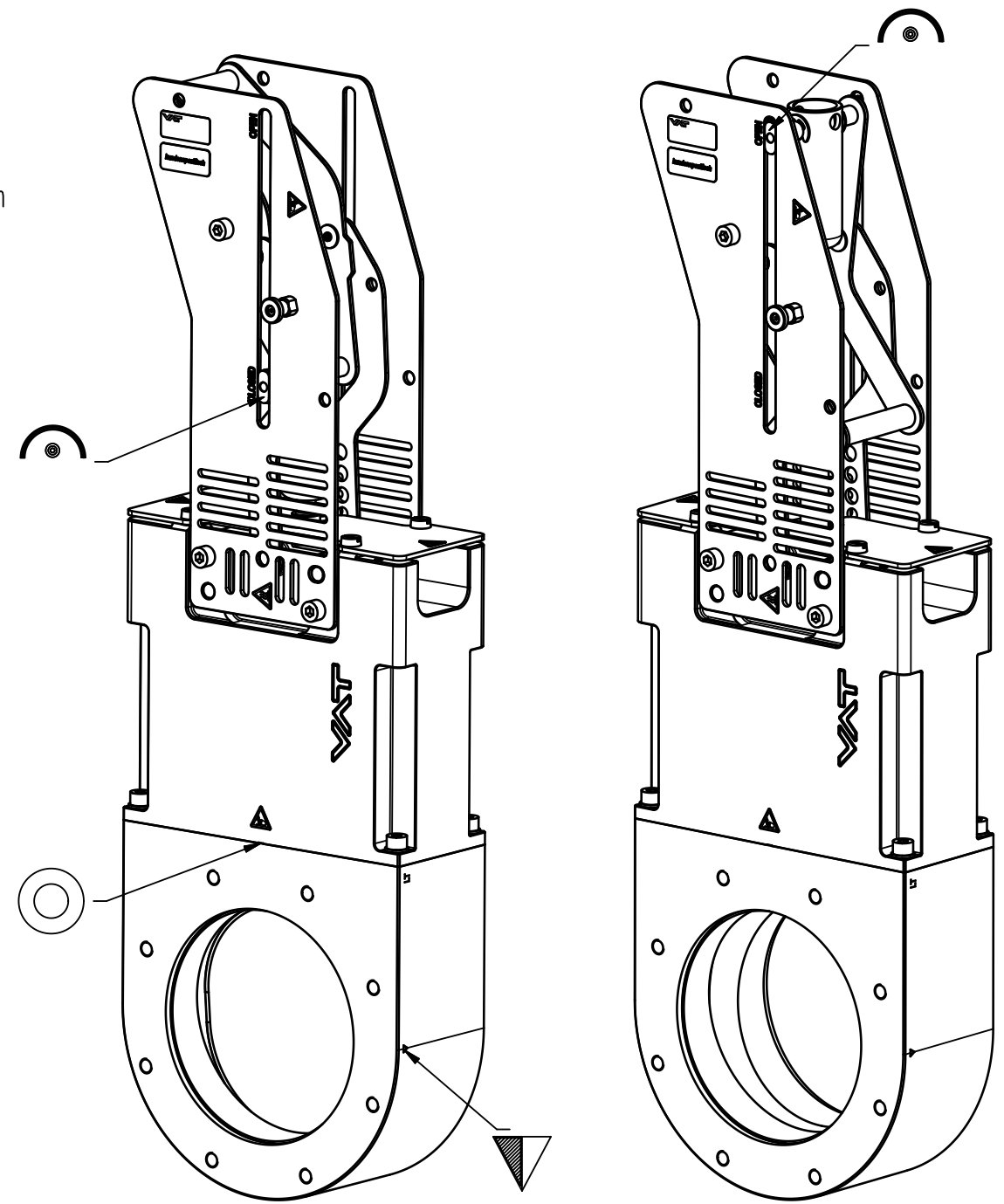


D-side



Valve closed

Valve open



A- (seat) side

- ▼ Seat side
- ⊙ Comp. air connection
- ⊙ Electrical connection
- ⊙ Leak detection port
- ⊙ Mech. pos. indication
- ⊙ Position indicator
- ⊙ Required for dismantling
- ⊙ Emergency actuation
- ⊙ For attachment
- ⊙ Bake-out area
- ⊙ Differential pumping port

HV gate valve



VAT Vakuumentile AG

CH-9469 Haag, Switzerland  
Tel ++41 81 7716161 Fax ++41 81 7714830

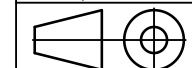
Rev.-Date: 22.12.22

Visa: MAEM

Series

E092

Projection E



Dimensional Drawing

Ordering No.

09244-P106-0001

DN

160

Flange

ISO-F

Rev.

1202350

A

PROTOTYP

VAT/DA