



VAT Vakuumventile AG
CH-9469 Haag, Schweiz

Product data sheet

Symmetrical control valve

Series 670, DN 250

Ordering No.

67048-JH52-ADU1 (left side)

67048-JH52-ADV1 (right side)

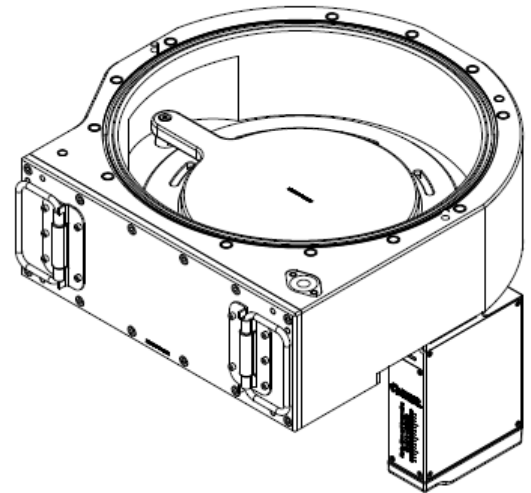
Description

This product is a symmetrical flow throttling and isolation valve and intended being used for downstream pressure control applications.

67048-JH52-ADU1 (left side)

67048-JH52-ADV1 (right side)

Flange	pump side	DN 250 (10"), ISO-F
	chamber side	customer defined
Actuator	type	stepper motor
	number of actuators	2
Controller	type	separate controller
Feedthrough	linear shafts	bellows
Seals	plate seal	Chemraz® XPE
	actuator seals	Chemraz® XPE
	Pump ring	Chemraz® XPE
	Service cover port	Chemraz® XPE



Created by: KAUM	Release date: 09.07.2021	1/2
Modified by:	Release date:	1078021ED



VAT Vakuumentile AG
CH-9469 Haag, Schweiz

Product data sheet

Symmetrical control valve

Series 670, DN 250

Ordering No.

67048-JH52-ADU1 (left side)

67048-JH52-ADV1 (right side)

Technical data

Functional principle		Symmetrical Flow Valve
Pressure range at 20 °C		1 x 10 ⁻⁹ mbar to 1.2 bar (abs)
Leak rate to outside at 20 °C		1 x 10 ⁻⁸ mbar l/s
Leak rate valve seat at 20 °C		1 x 10 ⁻⁴ mbar l/s
Max. differential pressure on plate during isolation		1200 mbar (from chamber side)
		30 mbar (from pump side)
Max. differential pressure on plate during operation		10 mbar
Cycles until first service (under vacuum) - Isolation cycles (open - closed - open) - Throttling cycles (open - max. throttle - open)		200'000 (unheated and under clean conditions)
		2 Mio. (unheated and under clean conditions)
Admissible operating temperature	Valve body, plate	10 °C to +120 °C (ΔT body/plate max. 40K)
	Actuator ambient	Recommended: ≤ 35 °C, max 50°C
Mounting position		Horizontal (actuators downwards)
Process side materials	flange	Aluminum EN AW-6061, hard anodized, black
	plate	Aluminum EN AW-6061, hard anodized, black
	actuator shafts	Stainless steel 316L (1.4435 or 1.4404)
	bellows	Stainless steel 633 (AM350)
	bolts	stainless steel A4 (316)
Seals	plate seal	Chemraz® XPE
	actuator seals	Chemraz® XPE
	Pump ring	Chemraz® XPE
	Service cover port	Chemraz® XPE
Min. controllable conductance (N ₂ molecular flow)		0.25 l/s
Actuating time	open to max. throttle (throttling only)	typ. 1.0 s per 100 mm
	max. throttle to open (throttling only)	typ. 1.0 s per 100 mm
	isolation (max. trottle to isolation)	typ. 1.0 s
	de-isolation (max. trottle to isolation)	typ. 1.0 s
Stroke	mechanical maximum	57 mm
	effective	55 mm

General data

Weight	approx.	approx. 63 kg
Dimensional drawings 67048-JA52-ADU1		1078340/B
Dimensional drawings 67048-JA52-ADV1		1078490/B

Created by: KAUM	Release date: 09.07.2021	2/2
Modified by:	Release date:	1078021ED