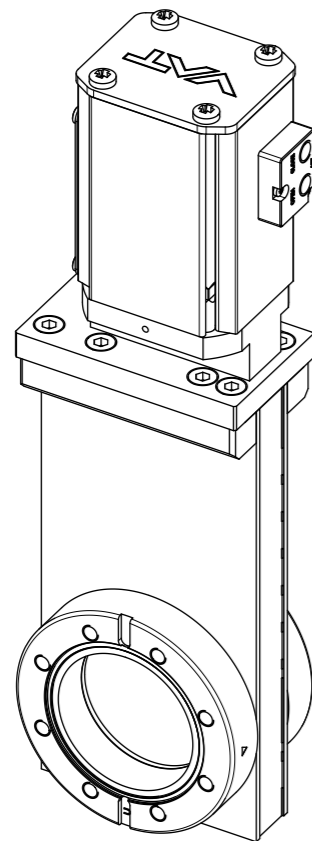


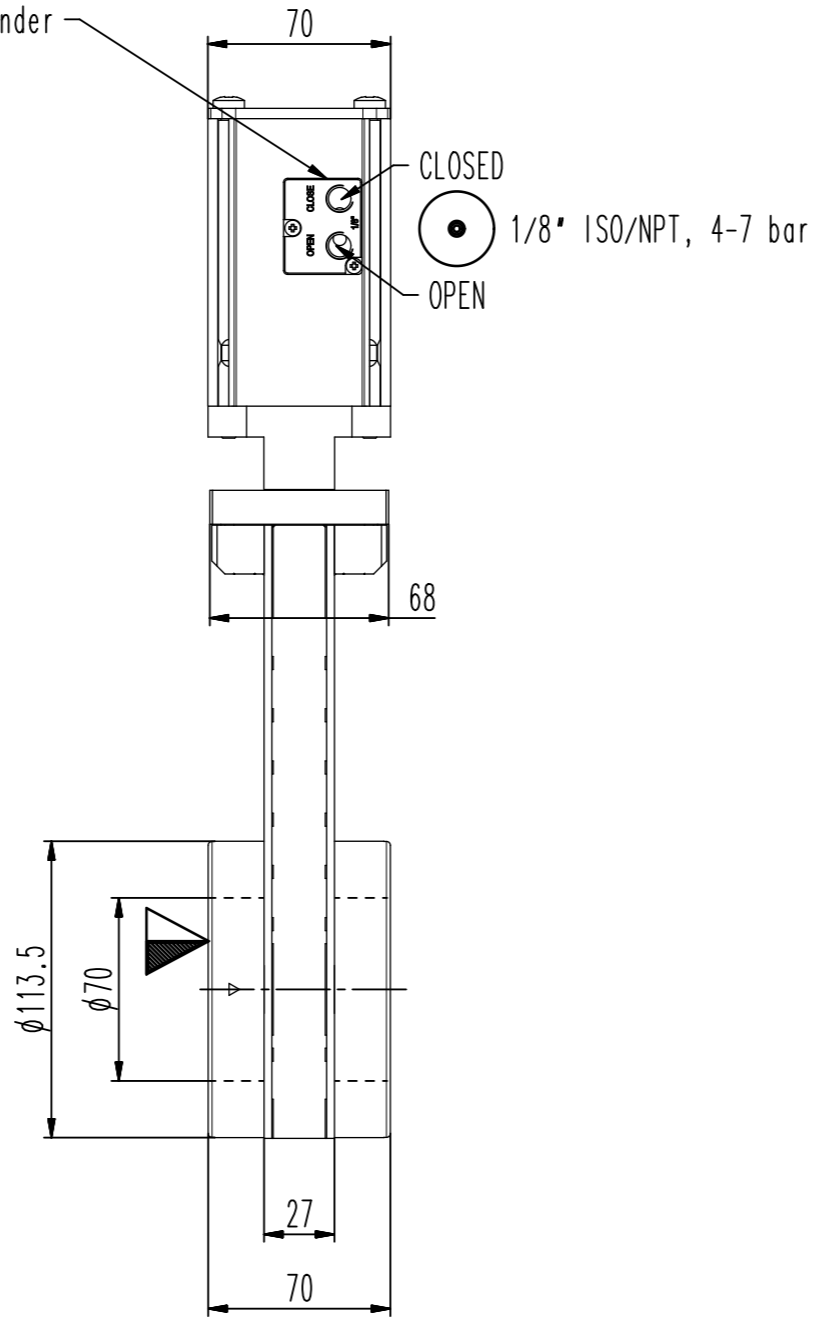
This drawing is the property of VAT.

Revision

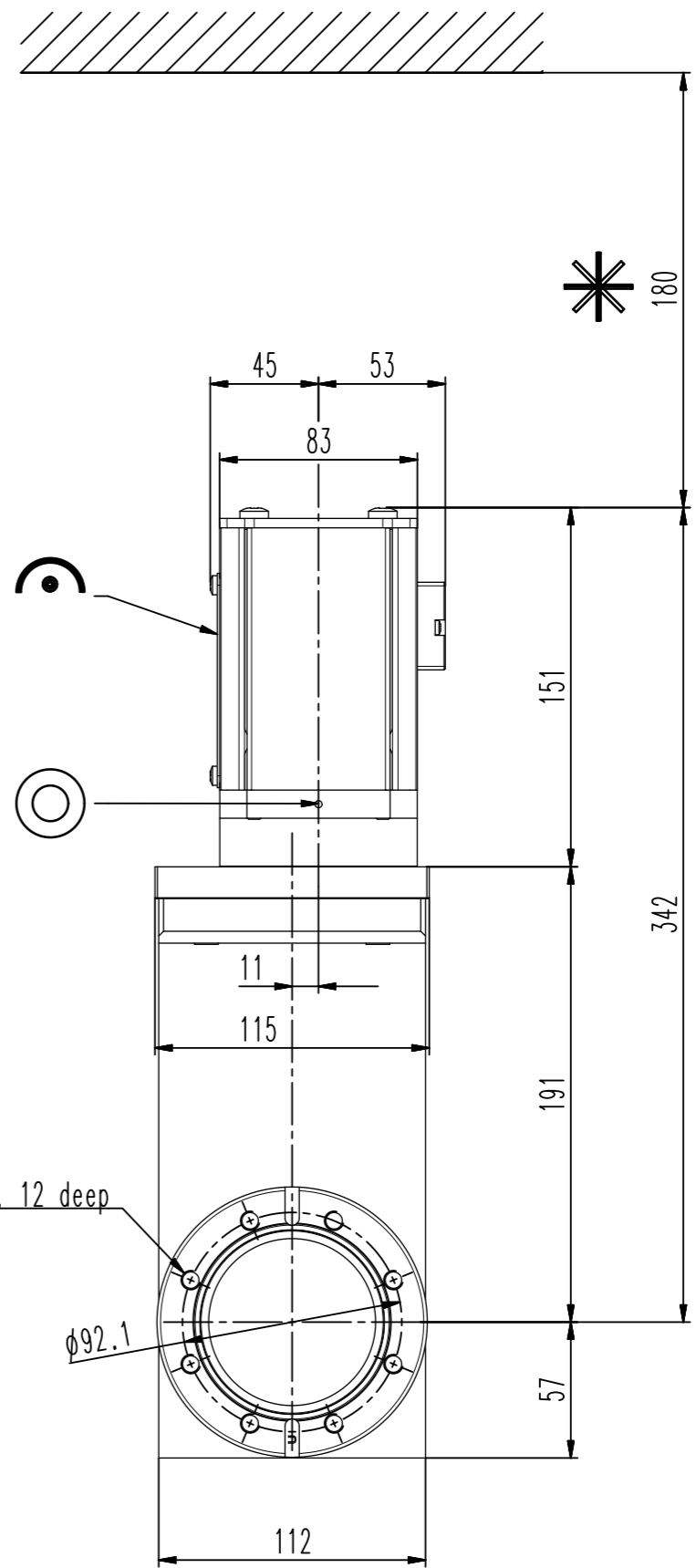
Customer number



2xM5 (10-32 UNF suitable) in air cylinder if adapter plate is removed



8x5/16"-24UNF, 12 deep



- ▼ Seat side
- ⊙ Comp. air connection
- ⊙ Electrical connection
- ⊙ Leak detection port
- ⊙ Mech. pos. indication
- ⊙ Position indicator
- ⊙ Required for dismantling
- ⊙ Emergency actuation
- ⊙ For attachment
- ⊙ Bake-out area
- ⊙ Differential pumping port

### UHV gate valve



VAT Vakuumventile AG  
CH-9469 Haag, Switzerland  
Tel ++41 81 7716161 Fax ++41 81 7714830

Rev.-Date: 30.08.01  
Visa: SUP

Series	108	Ordering No.	10836-UE14-0005
Projection E	DN	Flange	
	63	CF-F UNF	
Dimensional Drawing	223705	Rev.	