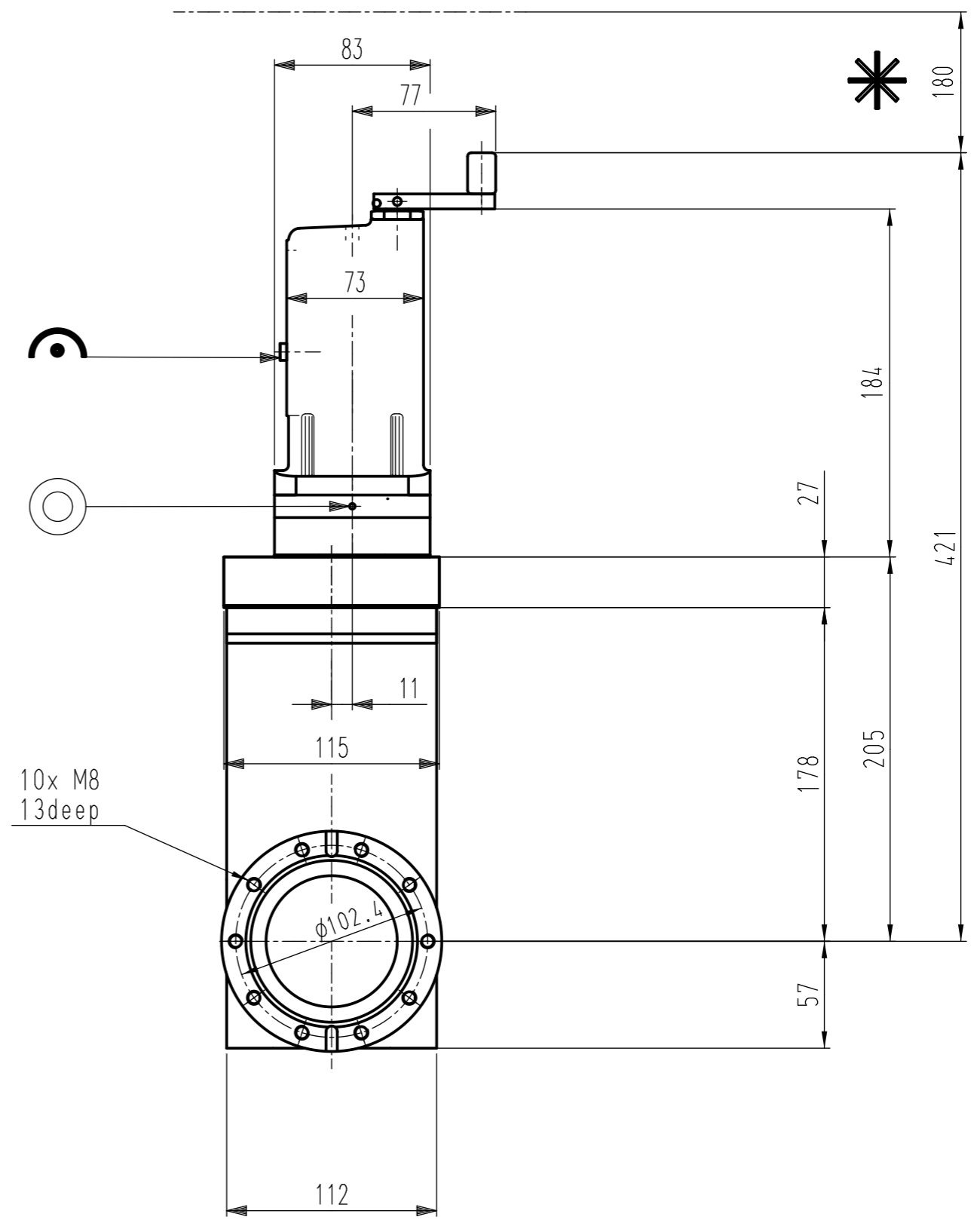
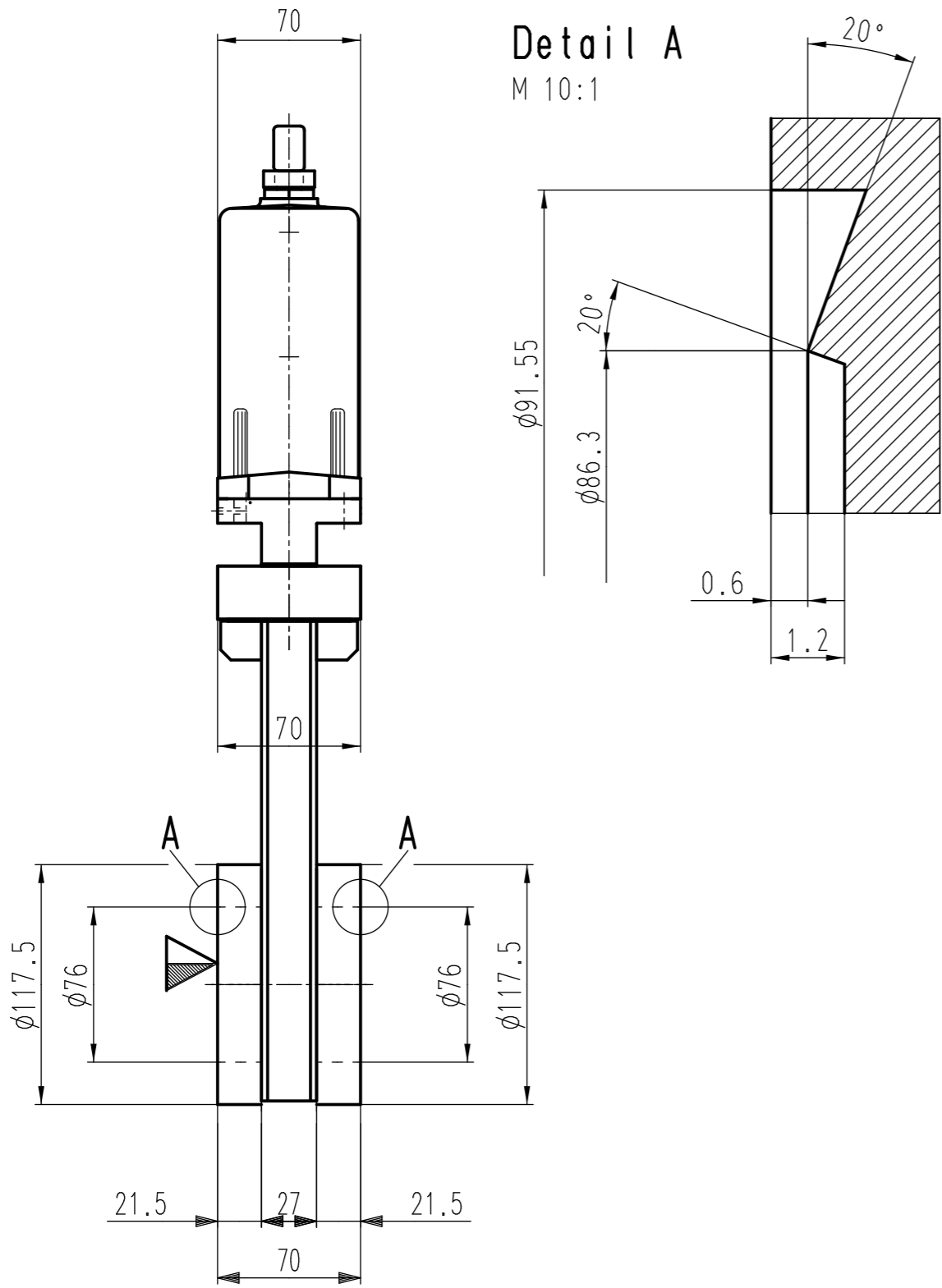


This drawing is the property of VAT.

Revision

Customer number



- ▼ Seat side
- ⊙ Comp. air connection
- ⊙ Electrical connection
- ⊙ Leak detection port
- ⊙ Mech. pos. indication
- ⊙ Position indicator
- ⊙ Required for dismantling
- ⊙ Emergency actuation
- ⊙ For attachment
- ⊙ Bake-out area
- ⊙ Differential pumping port

### UHV gate valve

plate seal o-ring Viton



**VAT Vakuumventile AG**  
 CH-9469 Haag, Switzerland  
 Tel ++41 81 7716161 Fax ++41 81 7714830

Date: 04.01.07  
 Name: WAG

Series

108

Ordering No.

10838-CE01-ABU1

Projection E



DN

80

Flange

CF-F m

Dimensional  
 Drawing

333004

Rev.