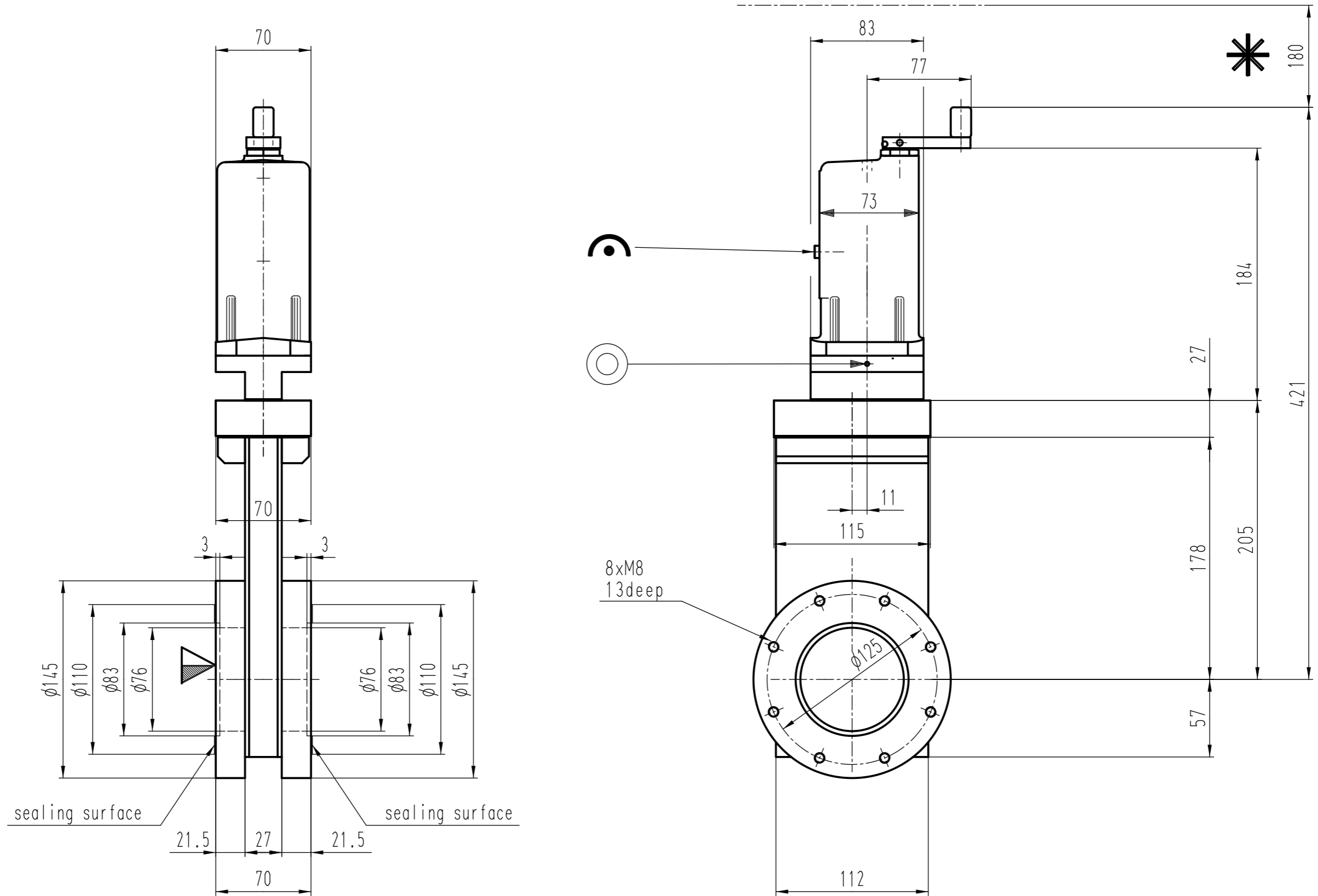


This drawing is the property of VAT.

Revision

Customer number



- ▼ Seat side
- ⊙ Comp. air connection
- ⊕ Electrical connection
- ⊖ Leak detection port
- ⊗ Mech. pos. indication
- ⊘ Position indicator
- ⊛ Required for dismantling
- ⊚ Emergency actuation
- ⊙ For attachment
- ⊙ Bake-out area
- ⊙ Differential pumping port

UHV gate valve

plate seal o-ring Viton



VAT Vakuumventile AG

CH-9469 Haag, Switzerland

Tel ++41 81 7716161 Fax ++41 81 7714830

Date: 09.09.08

Name: WAG

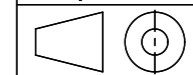
Series

108

Ordering No.

10838-PE01-ABU1

Projection E



DN

80

Flange

ISO-F

Dimensional Drawing

382577

Rev.

PLCMB VATMDA