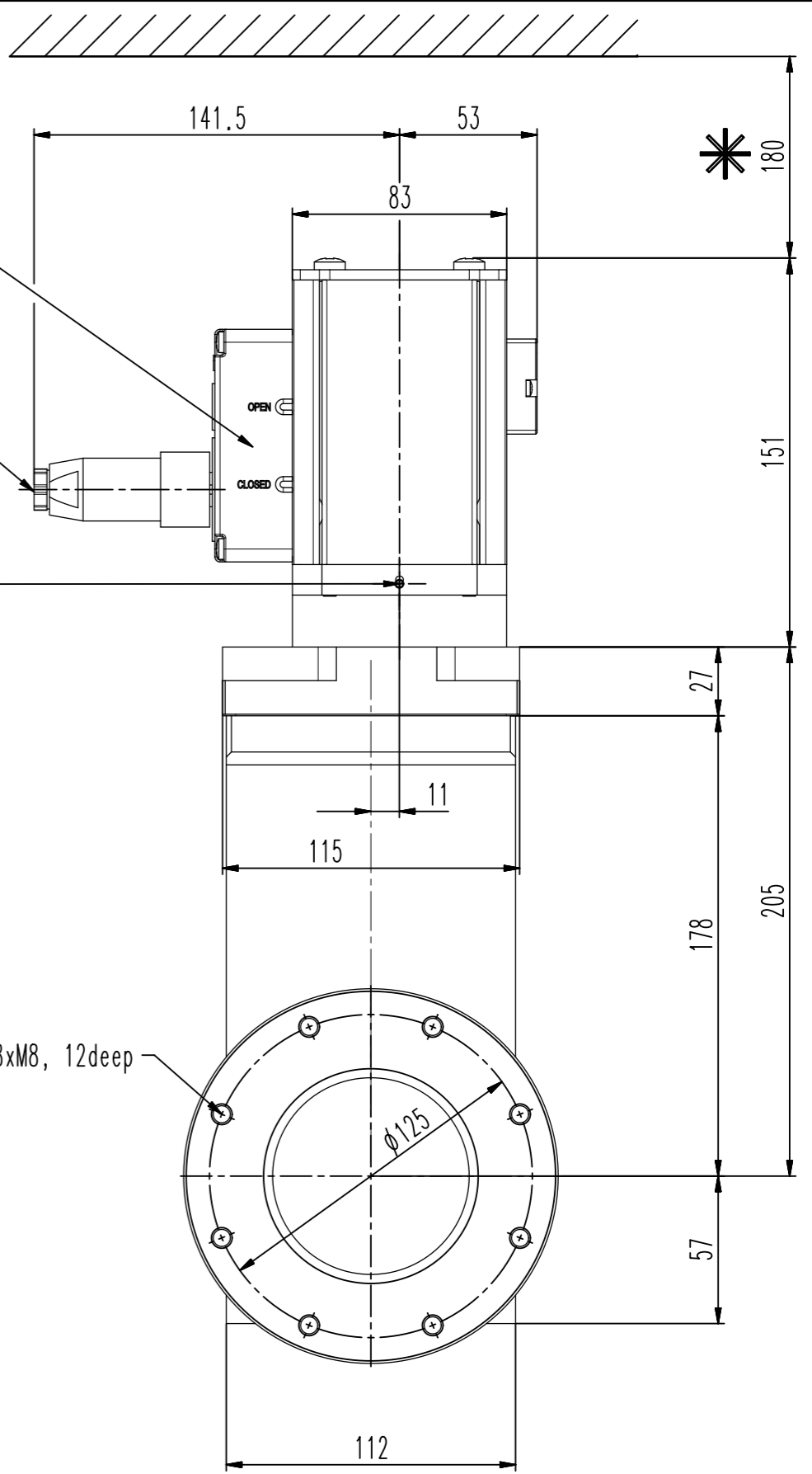
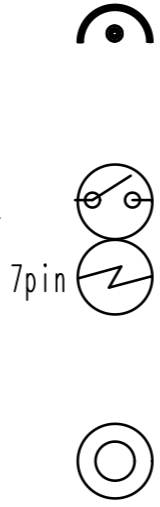
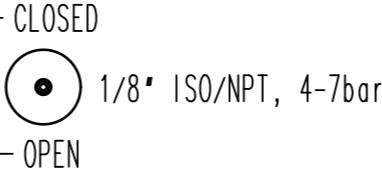
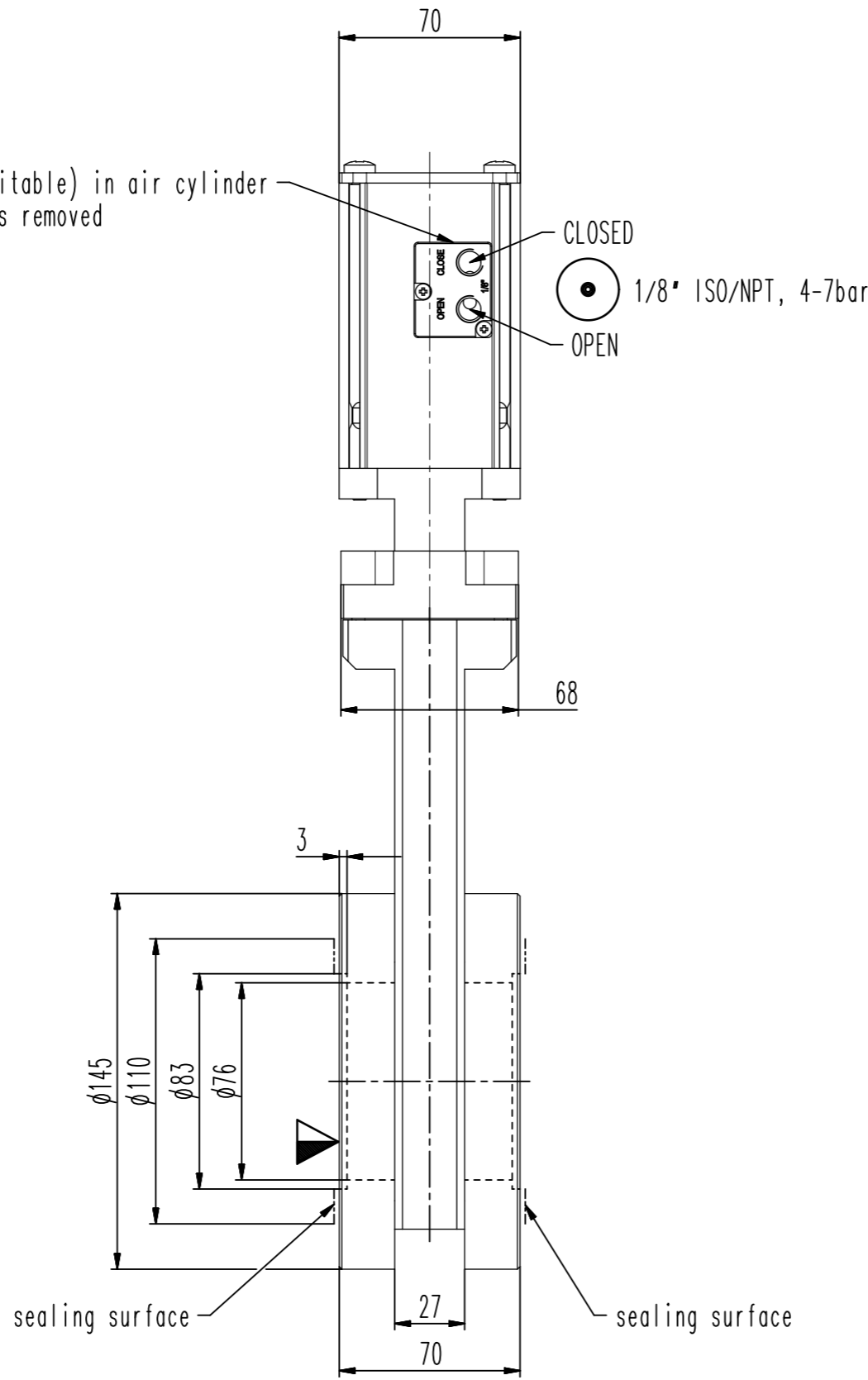


2xM5 (10-32 UNF suitable) in air cylinder
if adapter plate is removed



- ▼ Seat side
- Comp. air connection
- ⊕ Electrical connection
- Leak detection port
- Mech. pos. indication
- Position indicator
- ⊕ Required for dismantling
- ⊕ Emergency actuation
- For attachment
- Bake-out area
- Differential pumping port

UHV gate valve
plate seal o-ring Viton



VAT Vakuumventile AG
CH-9469 Haag, Switzerland
Tel ++41 81 7716161 Fax ++41 81 7714830

Rev.-Date: 02.03.17
Visa: WAG

Series	108	Ordering No.	10838-PE24-ABU1
Projection E	DN	Flange	
	80	ISO-F	
Dimensional Drawing		884689	Rev.