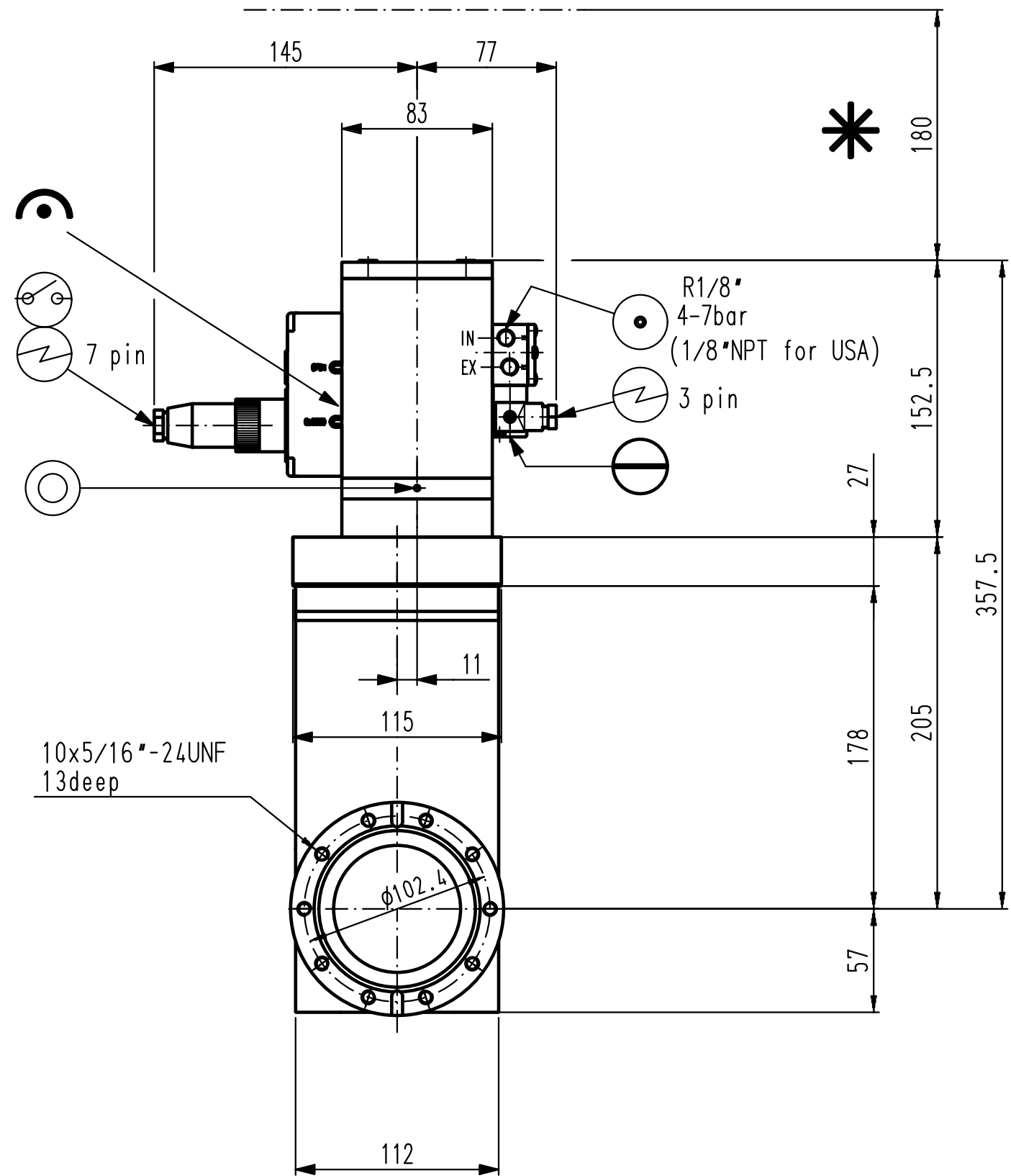
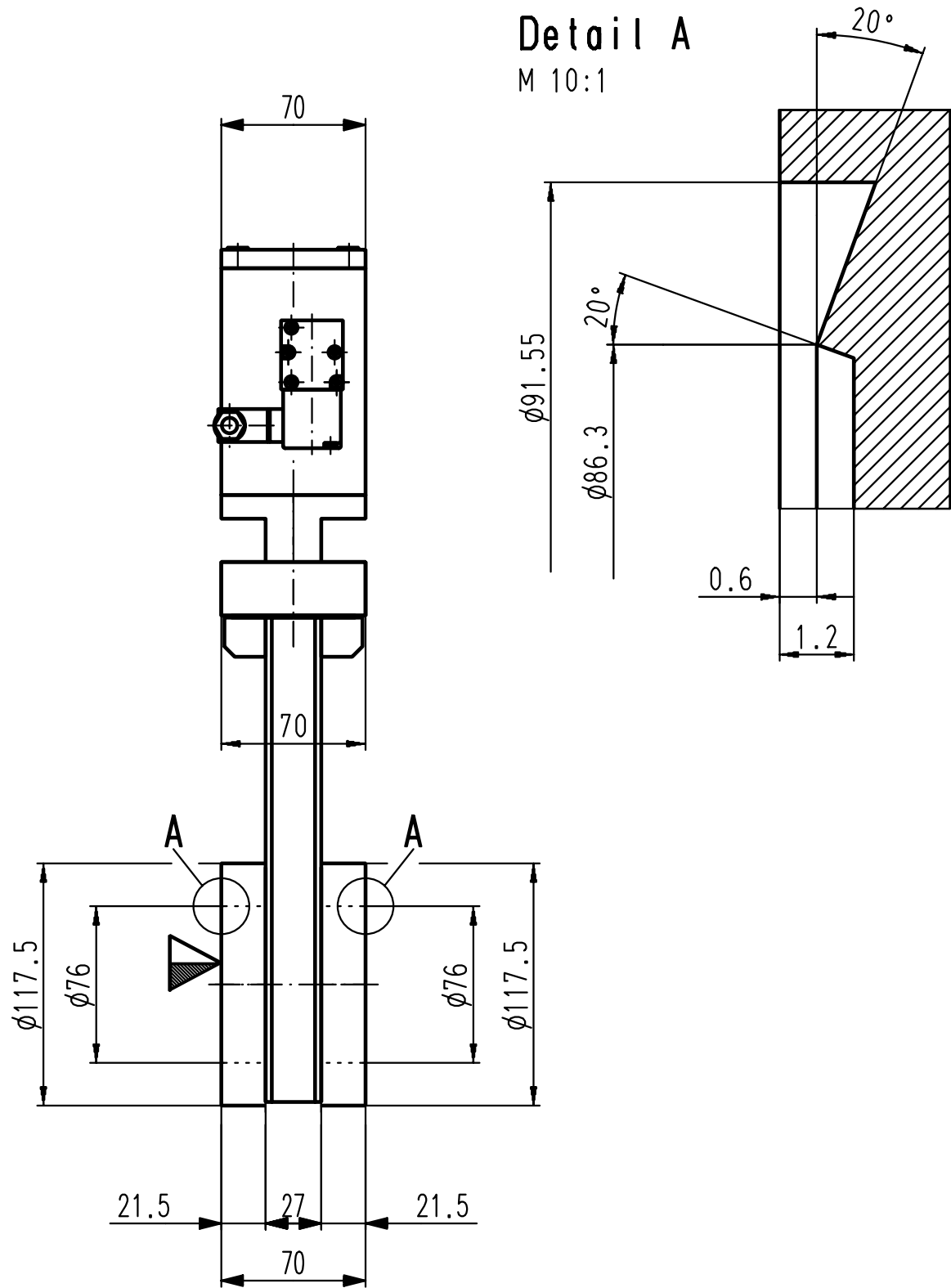


This drawing is the property of VAT.  
Without the written consent of VAT, it must  
not be copied or distributed to a third person



Revision	Code	Date	Name

- ▽ Seat side
- ⊙ Comp. air connection
- ⊙ Electrical connection
- ⊙ Leak detection port
- ⊙ Mech. pos. indication
- ⊙ Position indicator
- ⊙ Required for dismantling
- ⊙ Emergency actuation
- ⊙ For attachment
- ⊙ Bake-out area
- ⊙ Differential pumping port

**UHV Gate Valve**  
pneumatic actuator  
plate seal o-ring Viton



**VAT Vakuumventile AG**  
CH-9469 Haag, Switzerland  
Tel ++41 81 7716161 Fax ++41 81 7714830

Date: 15.05.2002  
Name: BRR

Series	10	Ordering No.	10838-UE44-ABU1
Projection E		DN	80
		Flange	CF-F UNF
Dimensional Drawing	230023	Rev.	