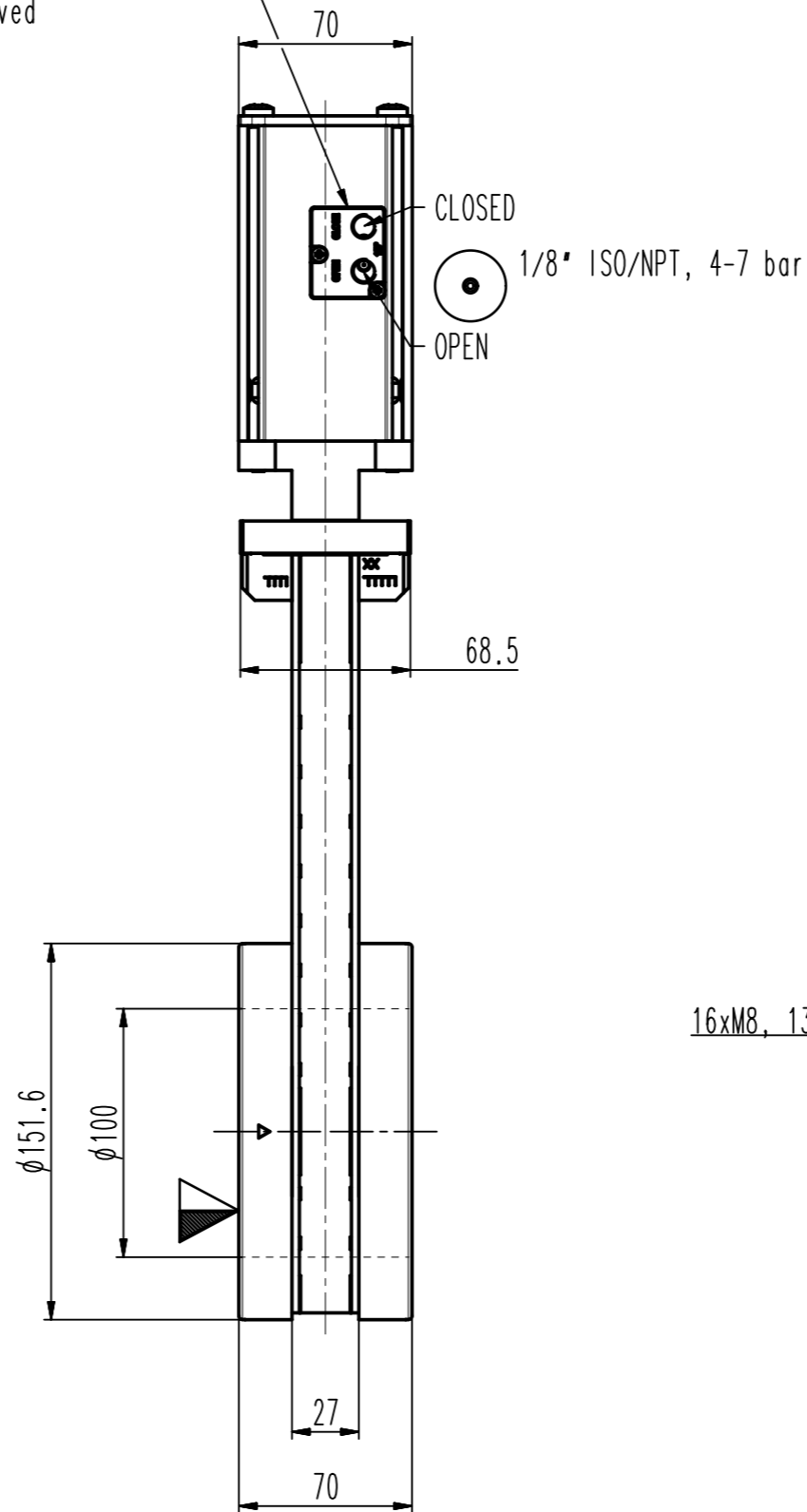
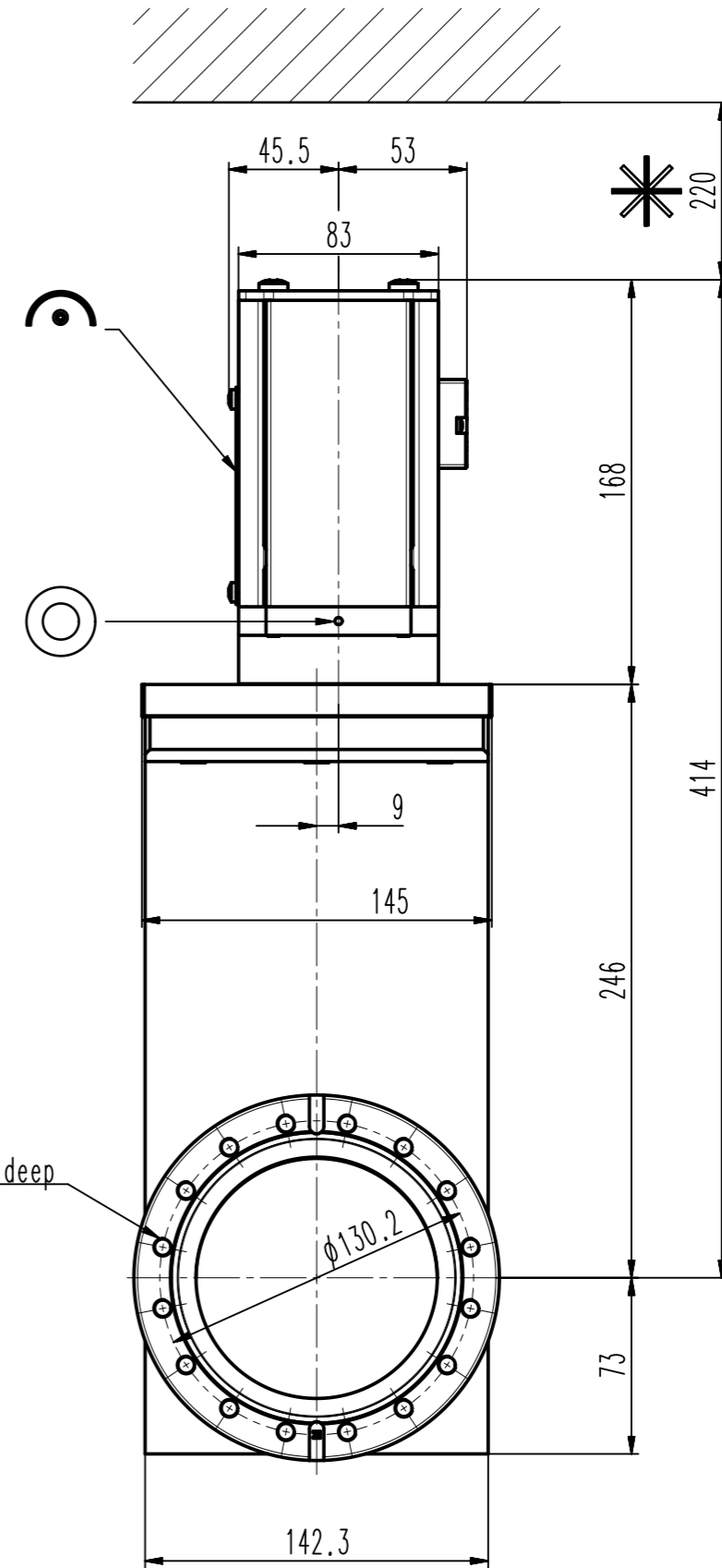


2xM5 (10-32 UNF suitable) in air cylinder if adapter plate is removed



16xM8, 13 deep



- ▼ Seat side
- ⊙ Comp. air connection
- ⊙ Electrical connection
- ⊙ Leak detection port
- ⊙ Mech. pos. indication
- ⊙ Position indicator
- ⊙ Required for dismantling
- ⊙ Emergency actuation
- ⊙ For attachment
- ⊙ Bake-out area
- ⊙ Differential pumping port

### UHV gate valve



VAT Vakuumventile AG  
 CH-9469 Haag, Switzerland  
 Tel ++41 81 7716161 Fax ++41 81 7714830

Rev.-Date: 17.05.16  
 Visa: WEF

Series	108	Ordering No.	10840-CE14-0006
Projection E	DN	Flange	
	100	CF-F m	
Dimensional Drawing	225105	Rev.	A