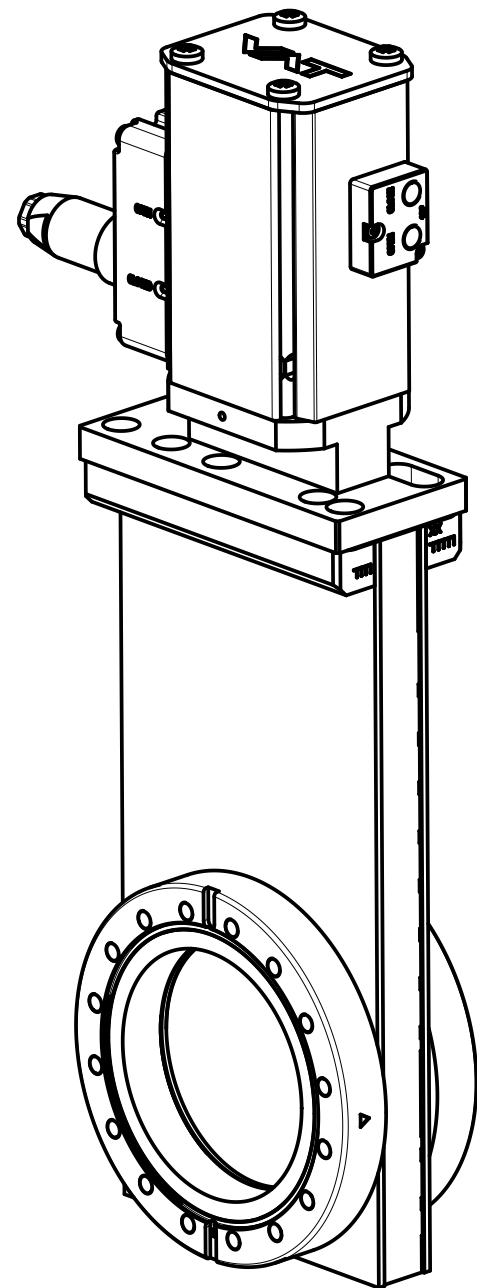


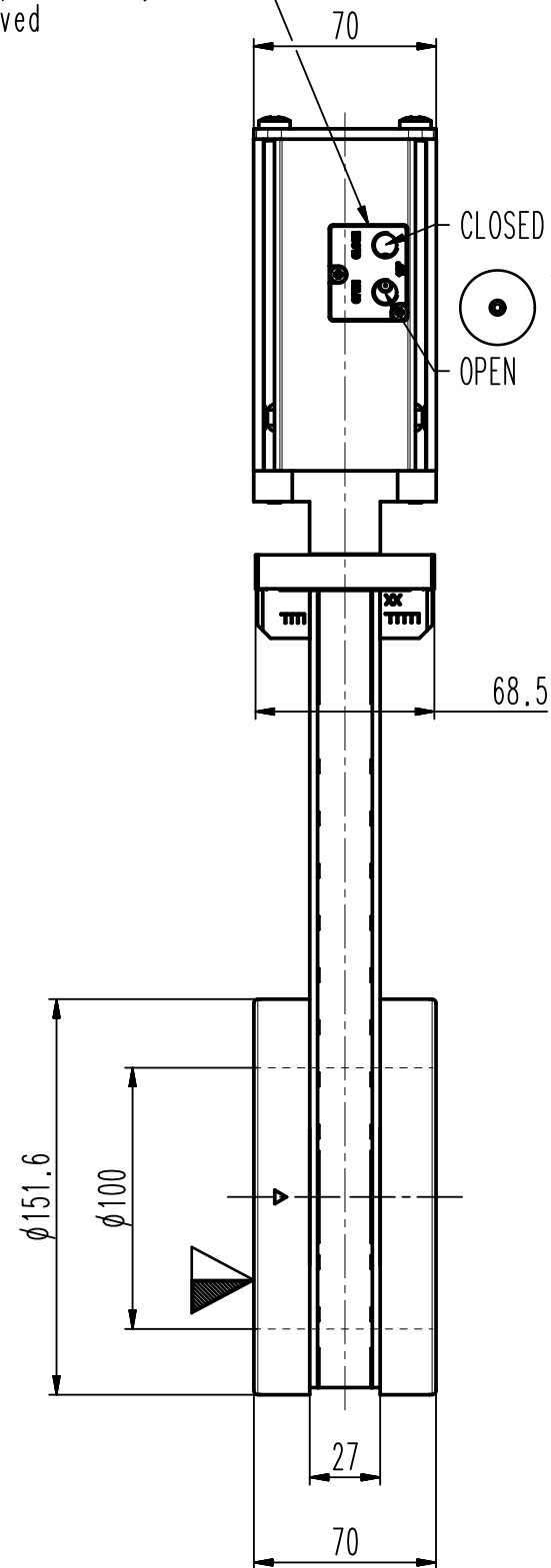
This drawing is the property of VAT.

Revision

Customer number



2xM5 (10-32 UNF suitable) in air cylinder if adapter plate is removed



7 pin

CLOSED

1/8" ISO/NPT, 4-7 bar

OPEN

68.5

ø151.6

ø100

27

70

16xM8, 13 deep

ø130.2

142.3

9

145

246

73

145

53

83

220

168

414

- ▼ Seat side
- ⊙ Comp. air connection
- ⊙ Electrical connection
- ⊙ Leak detection port
- ⊙ Mech. pos. indication
- ⊙ Position indicator
- ⊙ Required for dismantling
- ⊙ Emergency actuation
- ⊙ For attachment
- ⊙ Bake-out area
- ⊙ Differential pumping port

UHV gate valve



VAT Vakuumventile AG
CH-9469 Haag, Switzerland
Tel ++41 81 7716161 Fax ++41 81 7714830

Rev.-Date: 17.05.16
Visa: WEF

Series	108	Ordering No.	10840-CE24-0006
Projection E	DN	Flange	
	100	CF-F m	
Dimensional Drawing	212275	Rev.	A