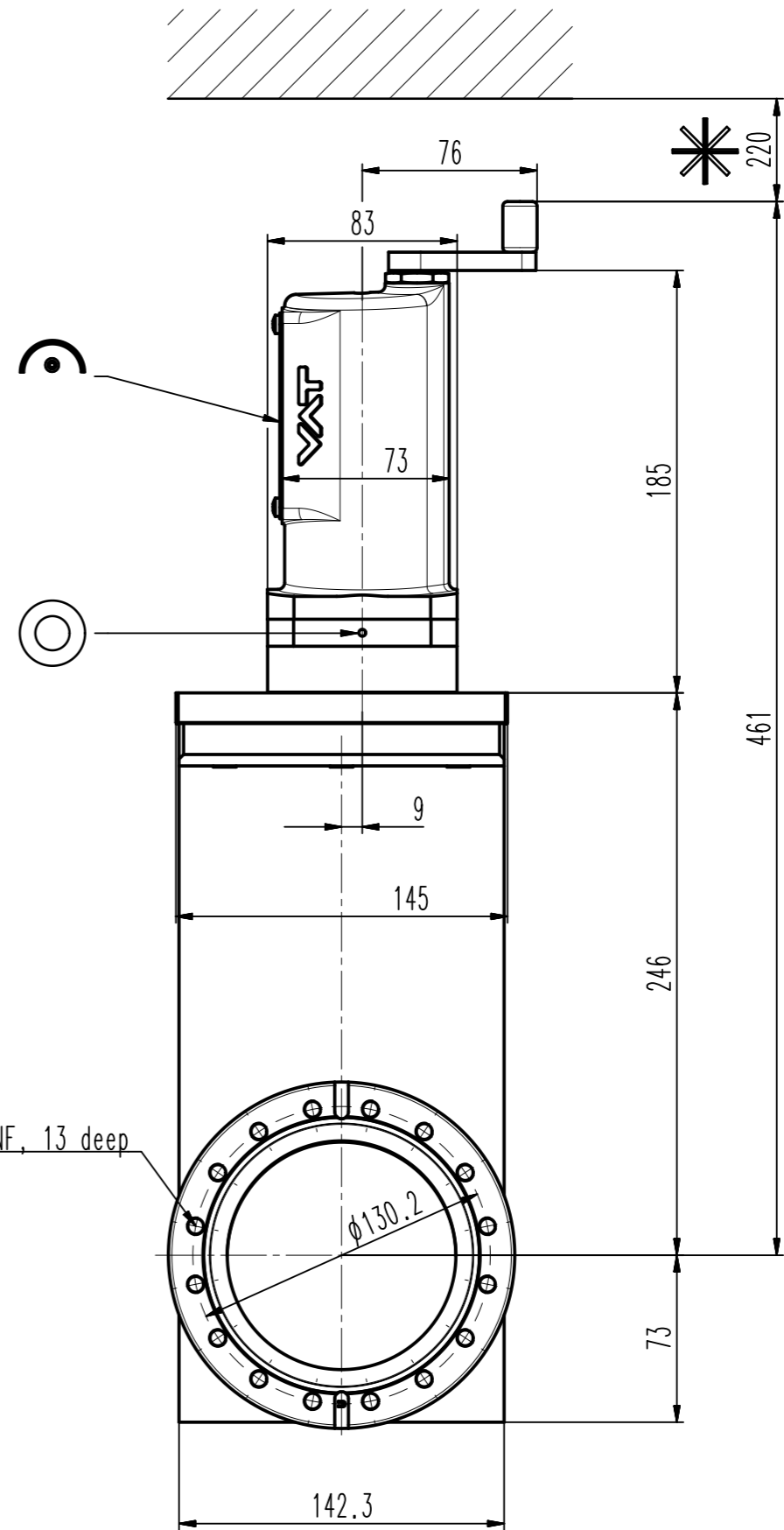


16x5/16"-24UNF, 13 deep



- ▼ Seat side
- Comp. air connection
- ⊕ Electrical connection
- Leak detection port
- ⊕ Mech. pos. indication
- Position indicator
- ⊕ Required for dismantling
- ⊕ Emergency actuation
- ⊕ For attachment
- ⊕ Bake-out area
- ⊕ Differential pumping port

### UHV gate valve



VAT Vakuumventile AG  
 CH-9469 Haag, Switzerland  
 Tel ++41 81 7716161 Fax ++41 81 7714830

Rev.-Date: 12.12.16  
 Visa: WAG

Series	108	Ordering No.	10840-UE01-0005
Projection E	DN	Flange	
	100	CF-F UNF	
Dimensional Drawing	212280	Rev.	A