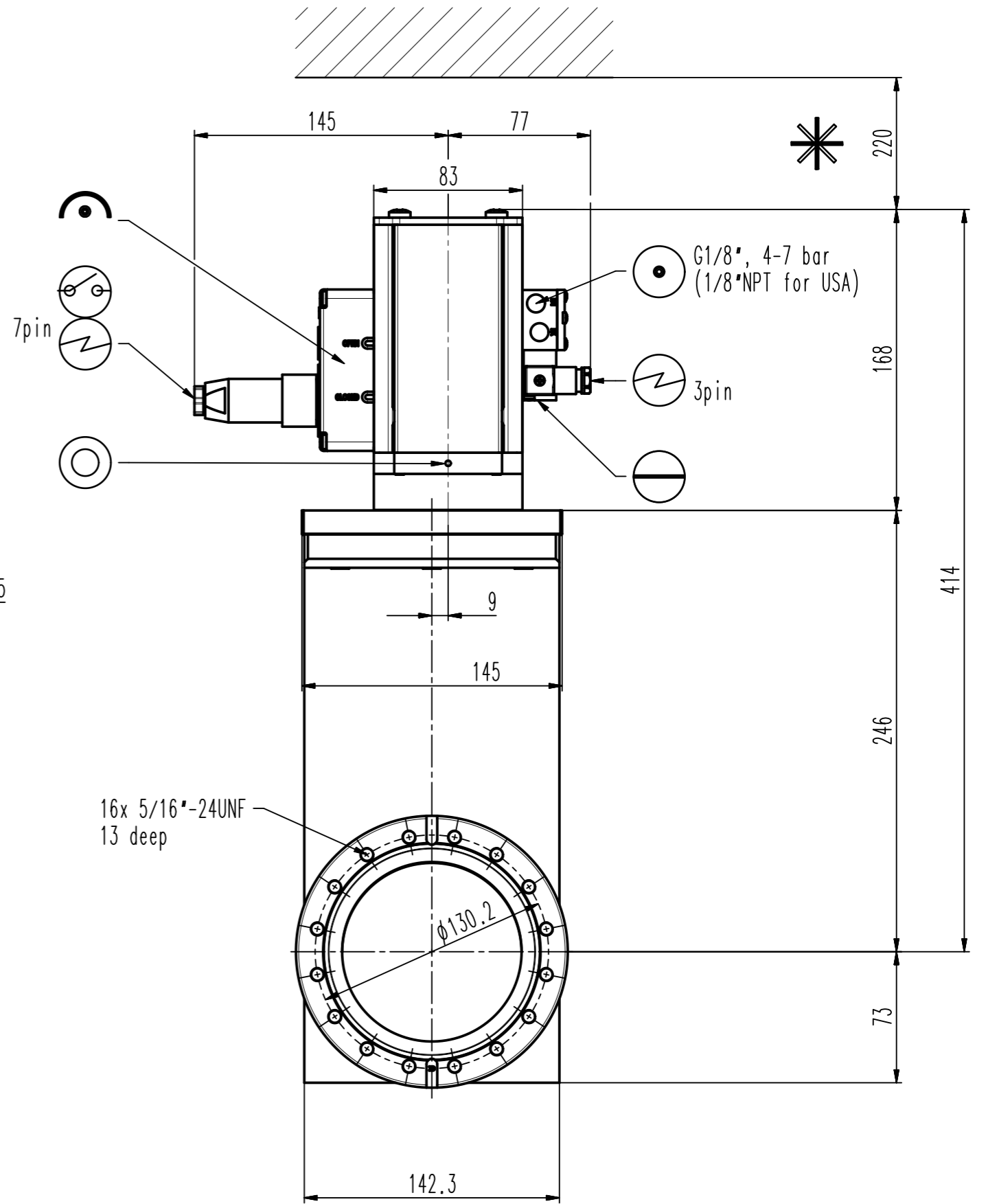
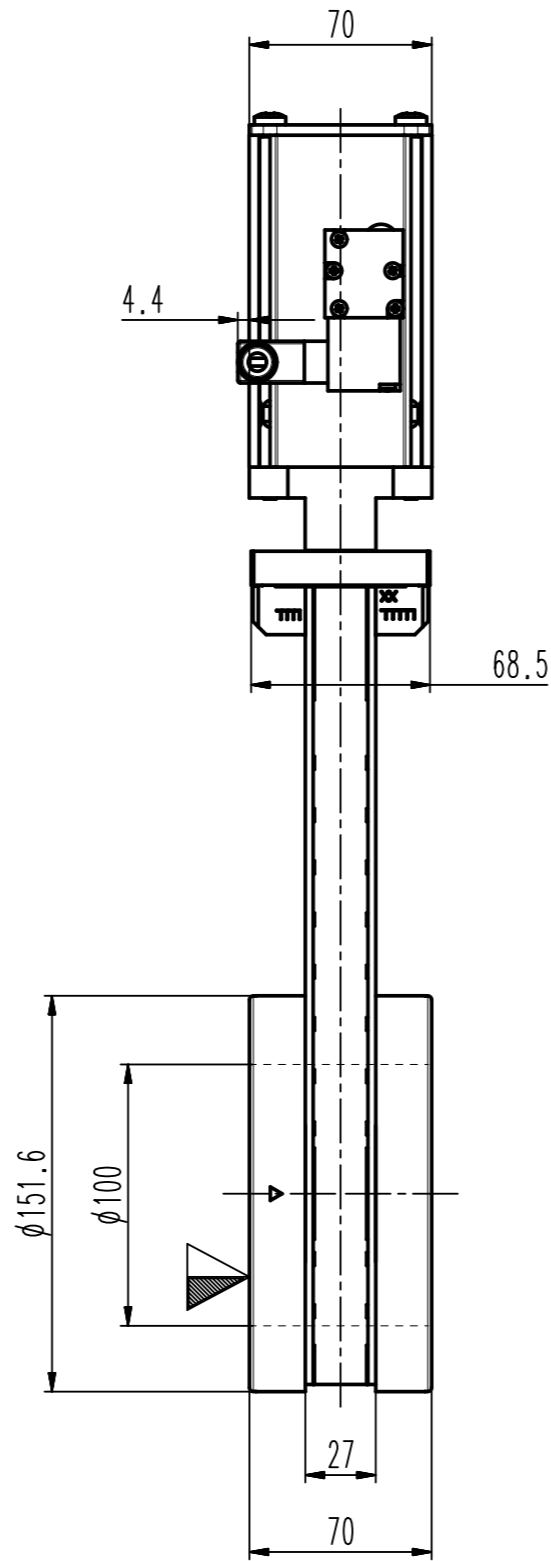
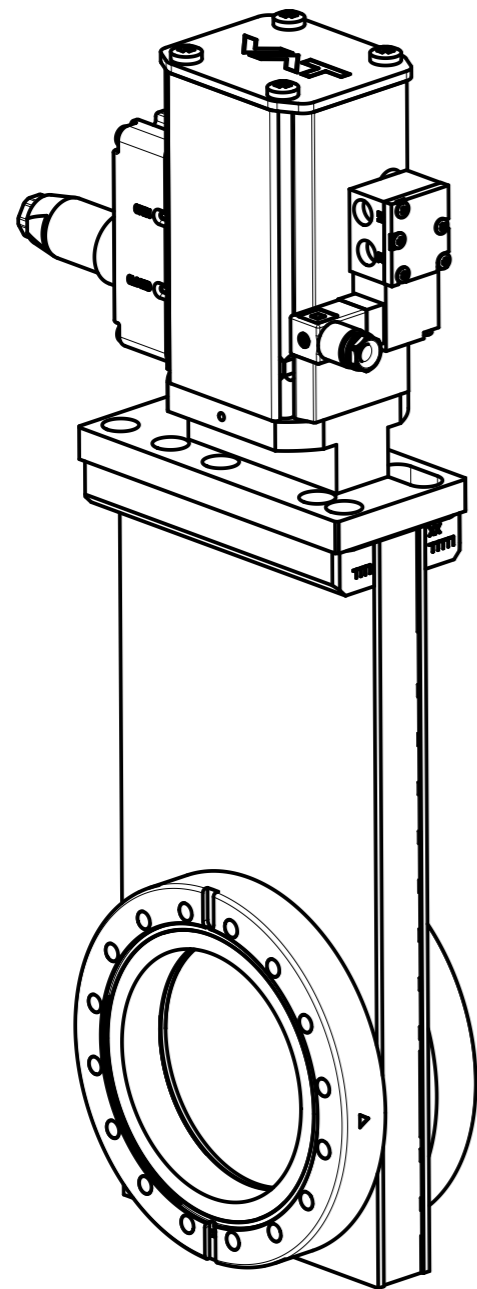


This drawing is the property of VAT.

Revision

Customer number



- ▼ Seat side
- Comp. air connection
- ⊕ Electrical connection
- ⊖ Leak detection port
- ⊙ Mech. pos. indication
- ⊗ Position indicator
- ⊛ Required for dismantling
- ⊠ Emergency actuation
- ⊡ For attachment
- ⊞ Bake-out area
- ⊚ Differential pumping port

UHV gate valve



VAT Vakuumventile AG
CH-9469 Haag, Switzerland
Tel ++41 81 7716161 Fax ++41 81 7714830

Rev.-Date: 09.01.17
Visa: WAG

Series	108	Ordering No.	10840-UE44-0006
Projection E	DN	Flange	
	100	CF-F UNF	
Dimensional Drawing	212282	Rev.	A