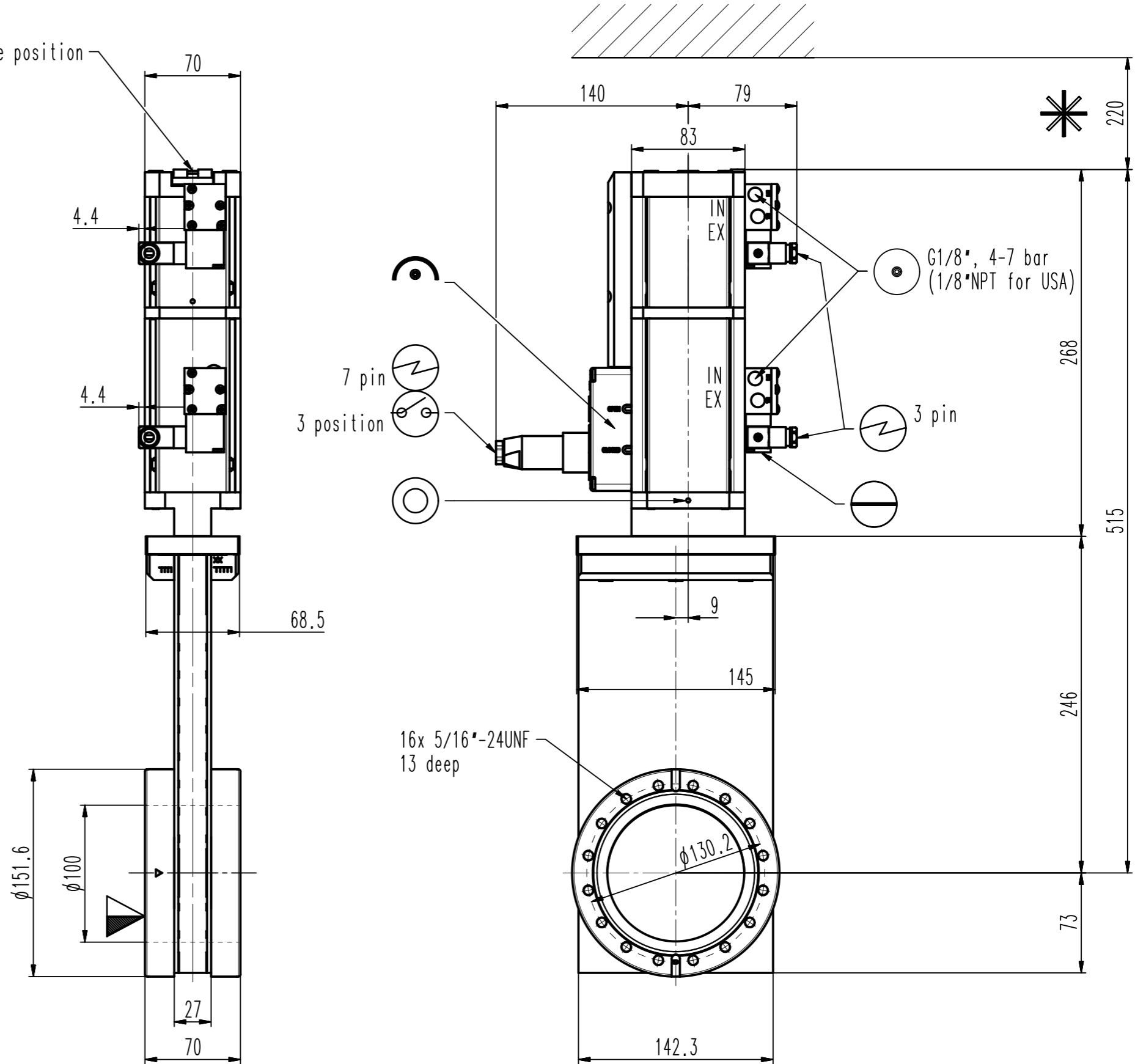


adjusting screw for intermediate position



- ▼ Seat side
- ⊙ Comp. air connection
- ⊙ Electrical connection
- ⊙ Leak detection port
- ⊙ Mech. pos. indication
- ⊙ Position indicator
- ⊙ Required for dismantling
- ⊙ Emergency actuation
- ⊙ For attachment
- ⊙ Bake-out area
- ⊙ Differential pumping port

UHV gate valve



VAT Vakuumventile AG

CH-9469 Haag, Switzerland
Tel ++41 81 7716161 Fax ++41 81 7714830

Rev.-Date: 09.01.17

Visa: WAG

Series	108	Ordering No.	10840-UE48-0006
Projection E	DN	Flange	
	100	CF-F UNF	
Dimensional Drawing	374336	Rev.	B