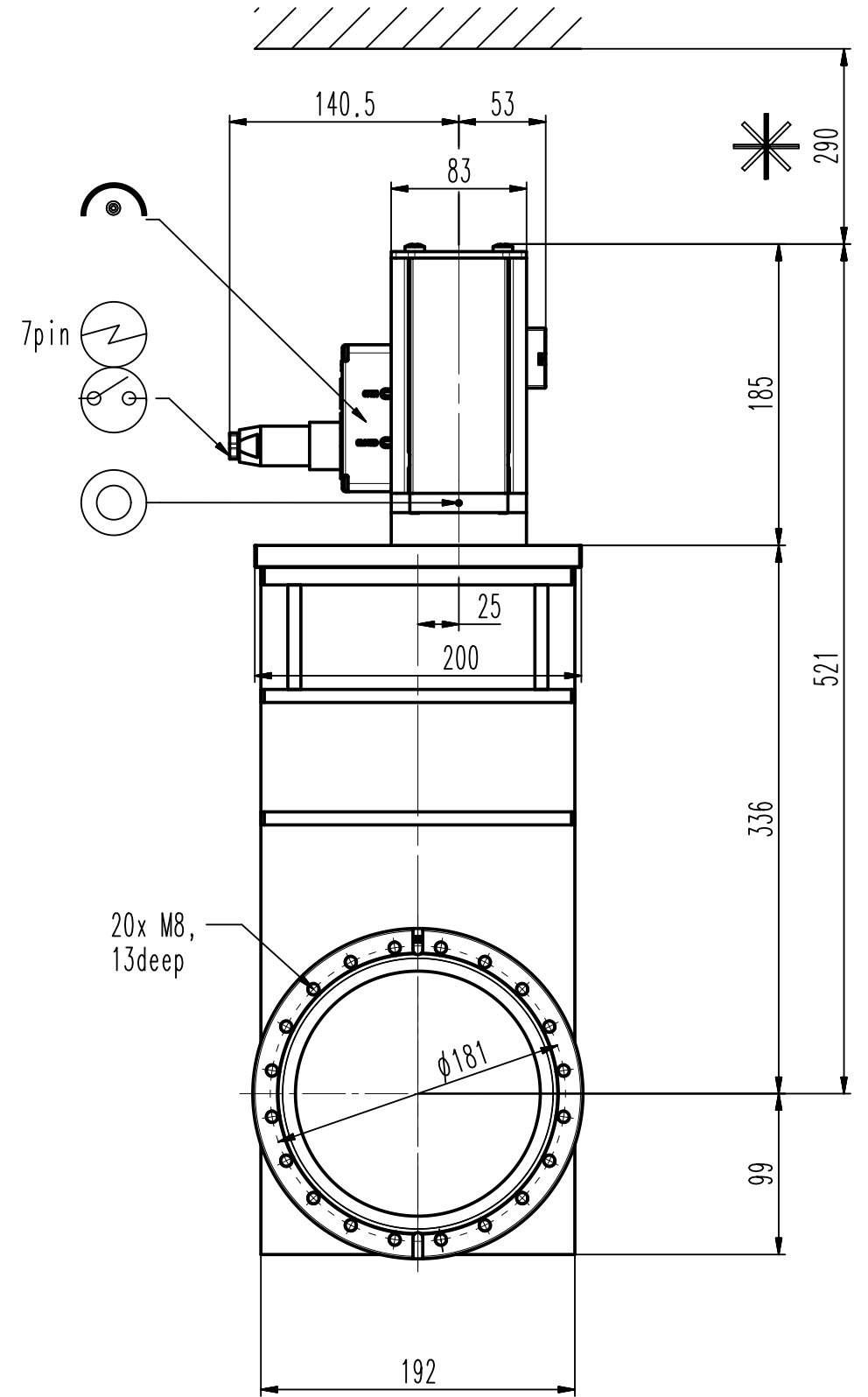
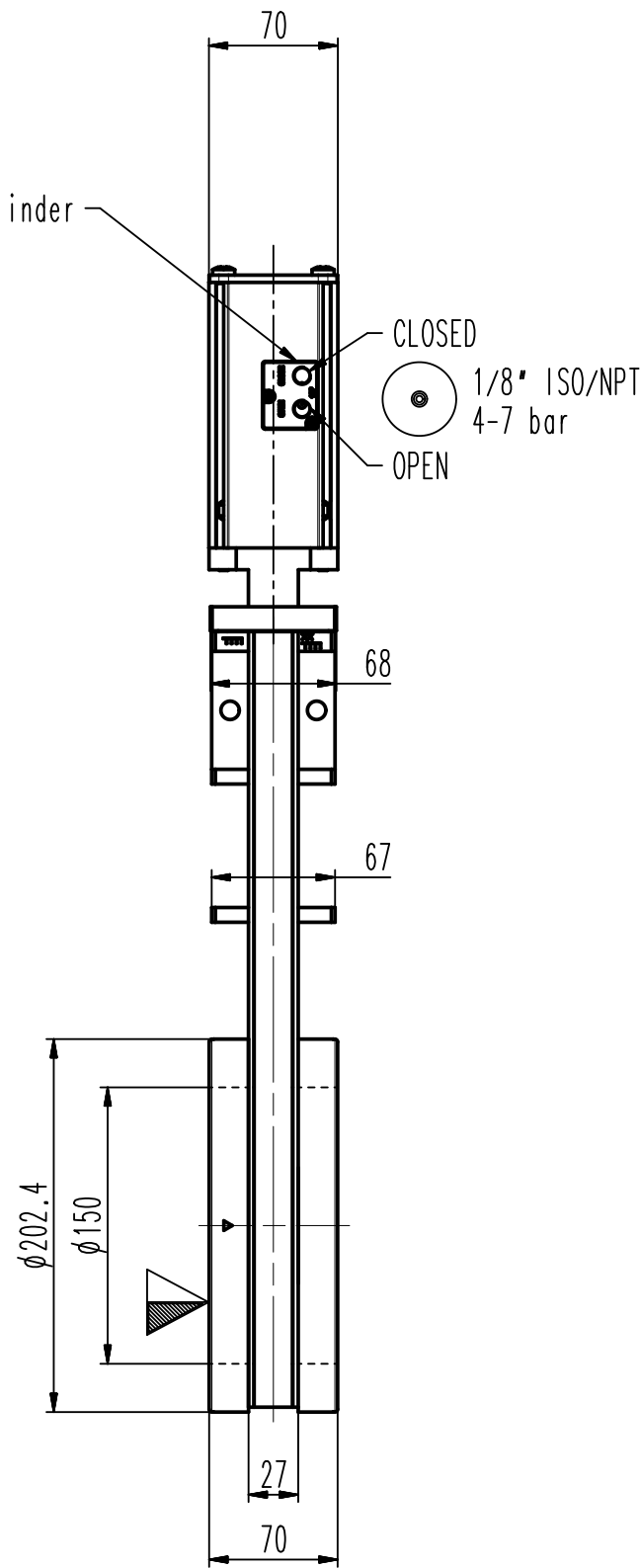


2xM5 (10-32 UNF suitable) in air cylinder if adapter plate is removed



- ▼ Seat side
- ⊙ Comp. air connection
- ⊙ Electrical connection
- ⊙ Leak detection port
- ⊙ Mech. pos. indication
- ⊙ Position indicator
- ⊙ Required for dismantling
- ⊙ Emergency actuation
- ⊙ For attachment
- ⊙ Bake-out area
- ⊙ Differential pumping port

### UHV gate valve



VAT Vakuumventile AG  
 CH-9469 Haag, Switzerland  
 Tel ++41 81 7716161 Fax ++41 81 7714830

Rev.-Date: 31.03.00  
 Visa: SUP

Series	108	Ordering No.	10844-CE24-0005
Projection E	DN	Flange	
	160	CF-F m	
Dimensional Drawing	212345	Rev.	