



VAT Vakuumventile AG
CH-9469 Haag, Schweiz

Product data sheet

UHV gate valve, Series 108, DN 160 (ID 6'')

Ordering No. 10844-CE48

Description

Flange	CF-F 160
Actuator	pneumatic double acting, with 3-position actuator – with solenoid valve – with position indicator
Feedthrough	Bellows

Technical data

Leak rate	– Valve body	$< 5 \cdot 10^{-10}$ mbar ls ⁻¹
	– Valve seat	$< 1 \cdot 10^{-9}$ mbar ls ⁻¹
Pressure range		$1 \cdot 10^{-10}$ mbar to 1.6 bar (abs)
Differential pressure on the gate		≤ 1.6 bar
Differential pressure at opening		≤ 30 mbar
Conductance (molecular flow)		5880 ls ⁻¹
Cycles until first service		50 000 (unheated and under clean conditions)
Temperature	– Valve body	≤ 250 °C open / ≤ 200 °C closed (bake-out max. 24h)
(Maximum values: depending on operating conditions and sealing materials)	– Actuator	≤ 200 °C
	– Solenoid valve	≤ 50 °C
	– Position indicator	≤ 80 °C
Heating and cooling rate		50 °C h ⁻¹
Material (main components)	– Valve body	AISI 304 (1.4301)
	– Mechanism	AISI 316L (1.4404), AISI 304 (1.4301)
	– Bellows	AISI 316L (1.4404, 1.4435)
Seal	– Bonnet	metal
	– Gate	FKM (Viton®), vulcanized
	– Actuator	FKM (Viton®), NBR
Mounting position		any
Volume of pneumatic actuator		0.14 l / 0.0049 ft ³
Compressed air min. – max. overpressure		4 – 7 bar / 58 – 102 psi
Compressed air connection		G $\frac{1}{8}$ " (1/8" NPT for USA)
Actuation time	– closing	1.5 s
	– opening	1.5 s
Weight		18 kg / 40 lbs

Created by: JOM	Release date: 07.07.2014	1/2
Modified by:	Release date:	758051EA



VAT Vakuumventile AG
CH-9469 Haag, Schweiz

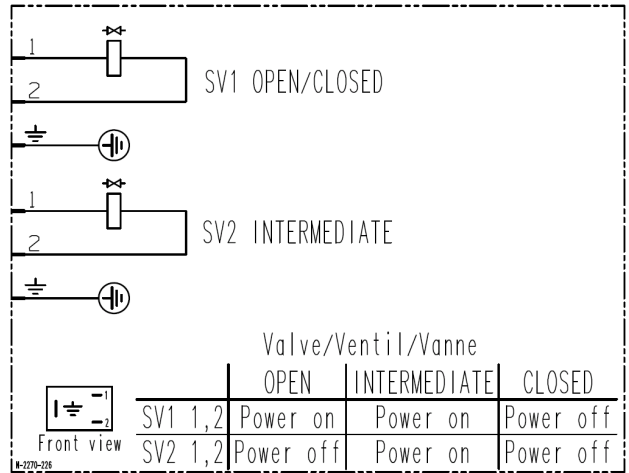
Product data sheet
UHV gate valve, Series 108, DN 160 (ID 6'')
Ordering No. 10844-CE48

Behavior in case of compressed air pressure drop	– Valve closed – Valve open – Middle position	valve remains closed undefined undefined
Behavior in case of power failure	– Valve closed – Valve open – Middle position	valve remains closed valve closes valve closes

Electrical connections

Solenoid valve

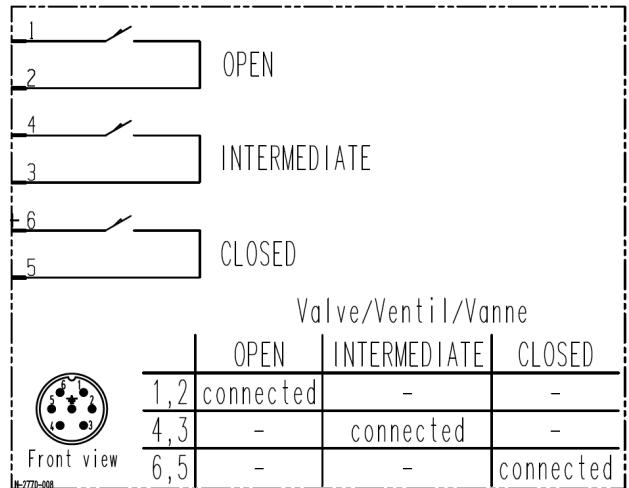
Type	4/2 way
Voltage	Defined by order



Wiring diagram

Position indicator

Type	Micro switch
Voltage	≤ 50 V AC / DC
Current max.	≤ 1.2 A



Wiring diagram