



VAT Vakuumventile AG
CH-9469 Haag, Schweiz

Product data sheet
UHV gate valve, Series 108, DN 160 (ID 6'')
Ordering No. 10844-PE48

Description

| | |
|-------------|---|
| Flange | ISO-F 160 |
| Actuator | pneumatic double acting, with 3-position actuator – with solenoid valve – with position indicator |
| Feedthrough | Bellows |

Technical data

| | | |
|--|--|--|
| Leak rate | – Valve body – Valve seat | $< 5 \cdot 10^{-10}$ mbar ls ⁻¹ $< 1 \cdot 10^{-9}$ mbar ls ⁻¹ |
| Pressure range | | $1 \cdot 10^{-10}$ mbar to 1.6 bar (abs) |
| Differential pressure on the gate | | ≤ 1.6 bar |
| Differential pressure at opening | | ≤ 30 mbar |
| Conductance (molecular flow) | | 5880 ls ⁻¹ |
| Cycles until first service | | 50 000 (unheated and under clean conditions) |
| Temperature (Maximum values: depending on operating conditions and sealing materials) | – Valve body – Actuator – Solenoid valve – Position indicator | ≤ 250 °C open / ≤ 200 °C closed (bake-out max. 24h) ≤ 200 °C ≤ 50 °C ≤ 80 °C |
| Heating and cooling rate | | 50 °C h ⁻¹ |
| Material (main components) | – Valve body – Mechanism – Bellows | AISI 304 (1.4301) AISI 316L (1.4404), AISI 304 (1.4301) AISI 316L (1.4404, 1.4435) |
| Seal | – Bonnet – Gate – Actuator | metal FKM (Viton®), vulcanized FKM (Viton®), NBR |
| Mounting position | | any |
| Volume of pneumatic actuator | | 0.14 l / 0.0049 ft ³ |
| Compressed air min. – max. overpressure | | 4 – 7 bar / 58 – 102 psi |
| Compressed air connection | | G $\frac{1}{8}$ " (1/8" NPT for USA) |
| Actuation time | – closing – opening | 1.5 s 1.5 s |
| Weight | | 21 kg / 46.3 lbs |

| | | |
|-----------------|--------------------------|-----------------|
| Created by: JOM | Release date: 08.07.2014 | 1/2 |
| Modified by: | Release date: | 758896EA |



VAT Vakuumventile AG
CH-9469 Haag, Schweiz

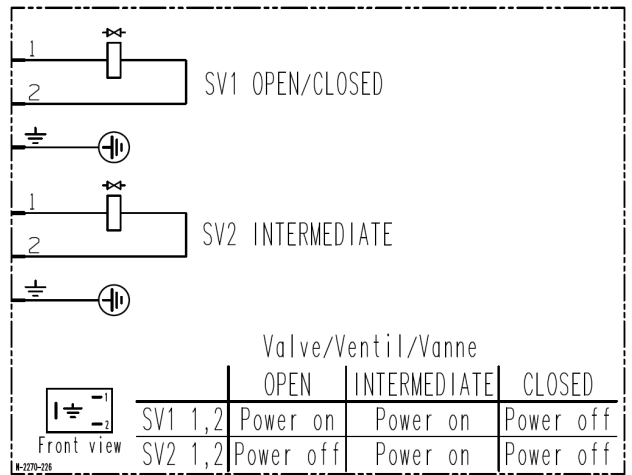
Product data sheet
UHV gate valve, Series 108, DN 160 (ID 6'')
Ordering No. 10844-PE48

| | | |
|--|---|--|
| Behavior in case of compressed air pressure drop | – Valve closed – Valve open – Middle position | valve remains closed undefined undefined |
| Behavior in case of power failure | – Valve closed – Valve open – Middle position | valve remains closed valve closes valve closes |

Electrical connections

Solenoid valve

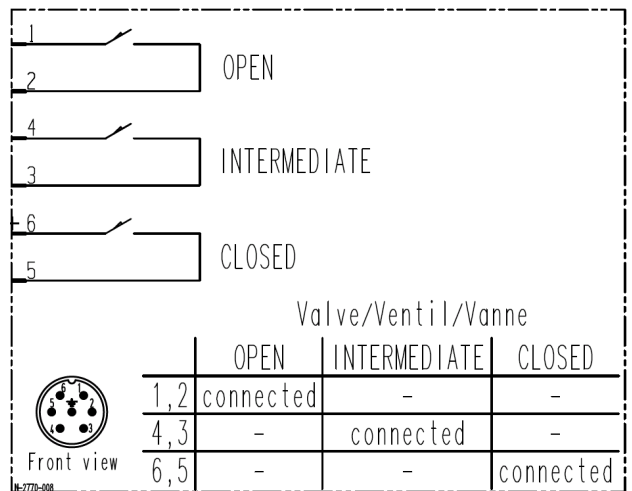
| | |
|---------|------------------|
| Type | 4/2 way |
| Voltage | Defined by order |



Wiring diagram

Position indicator

| | |
|--------------|----------------|
| Type | Micro switch |
| Voltage | ≤ 50 V AC / DC |
| Current max. | ≤ 1.2 A |



Wiring diagram