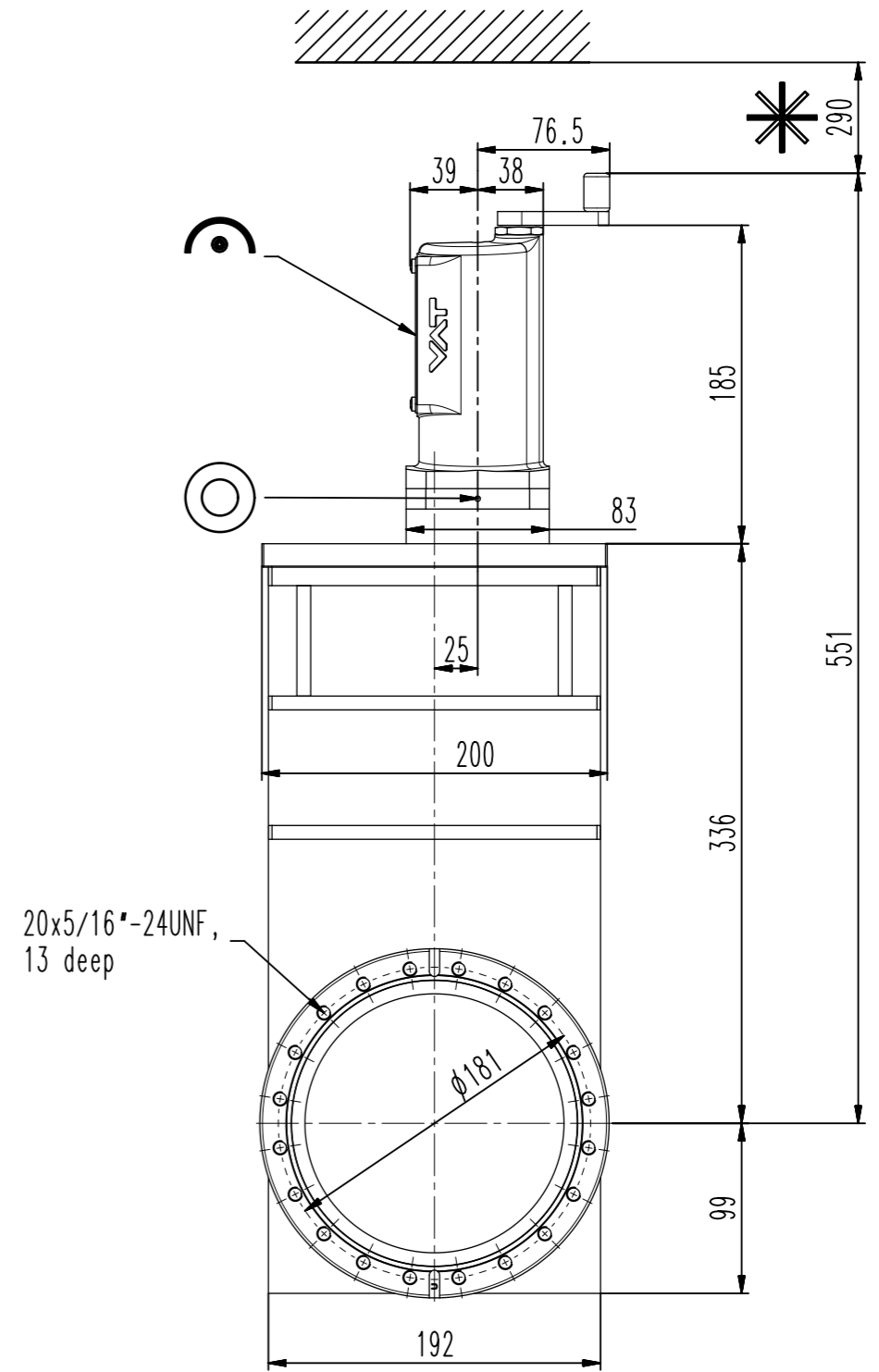
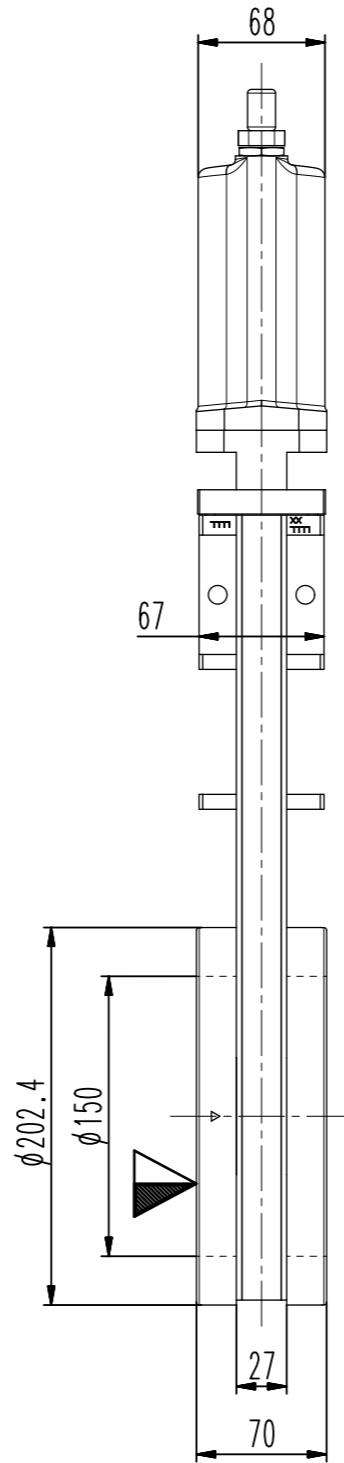
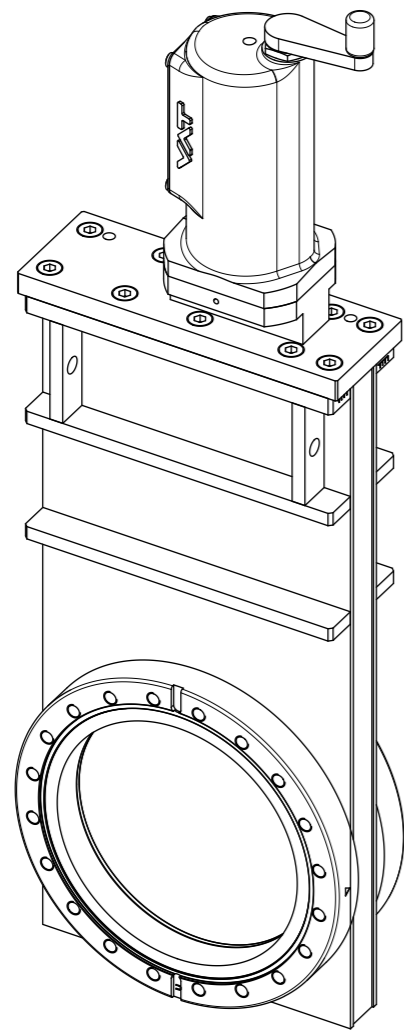


This drawing is the property of VAT.

Revision

Customer number



- ▼ Seat side
- ⊙ Comp. air connection
- ⊙ Electrical connection
- ⊙ Leak detection port
- ⊙ Mech. pos. indication
- ⊙ Position indicator
- ⊙ Required for dismantling
- ⊙ Emergency actuation
- ⊙ For attachment
- ⊙ Bake-out area
- ⊙ Differential pumping port

### UHV gate valve



VAT Vakuumventile AG  
 CH-9469 Haag, Switzerland  
 Tel ++41 81 7716161 Fax ++41 81 7714830

Rev.-Date: 28.08.98  
 Visa: SUP

|                     |        |              |                 |
|---------------------|--------|--------------|-----------------|
| Series              | 108    | Ordering No. | 10844-UE01-0004 |
| Projection E        | DN     | Flange       |                 |
|                     | 160    | CF-F UNF     |                 |
| Dimensional Drawing | 201258 | Rev.         |                 |