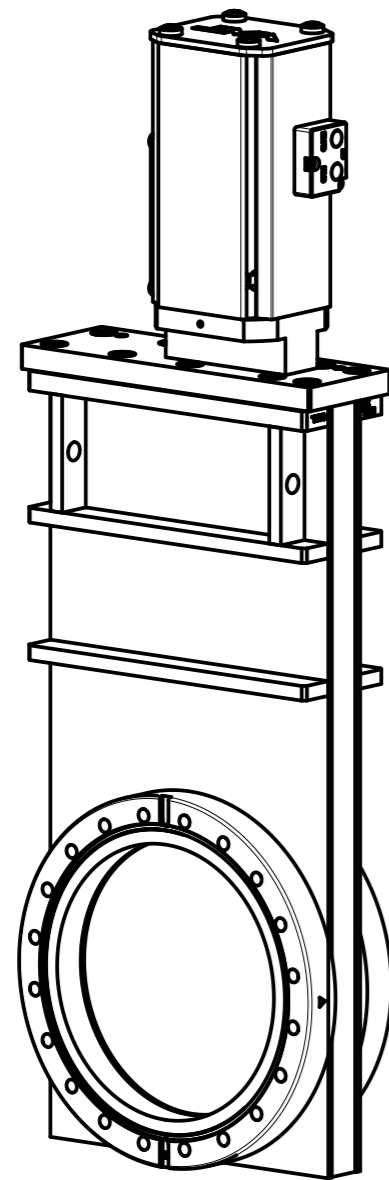


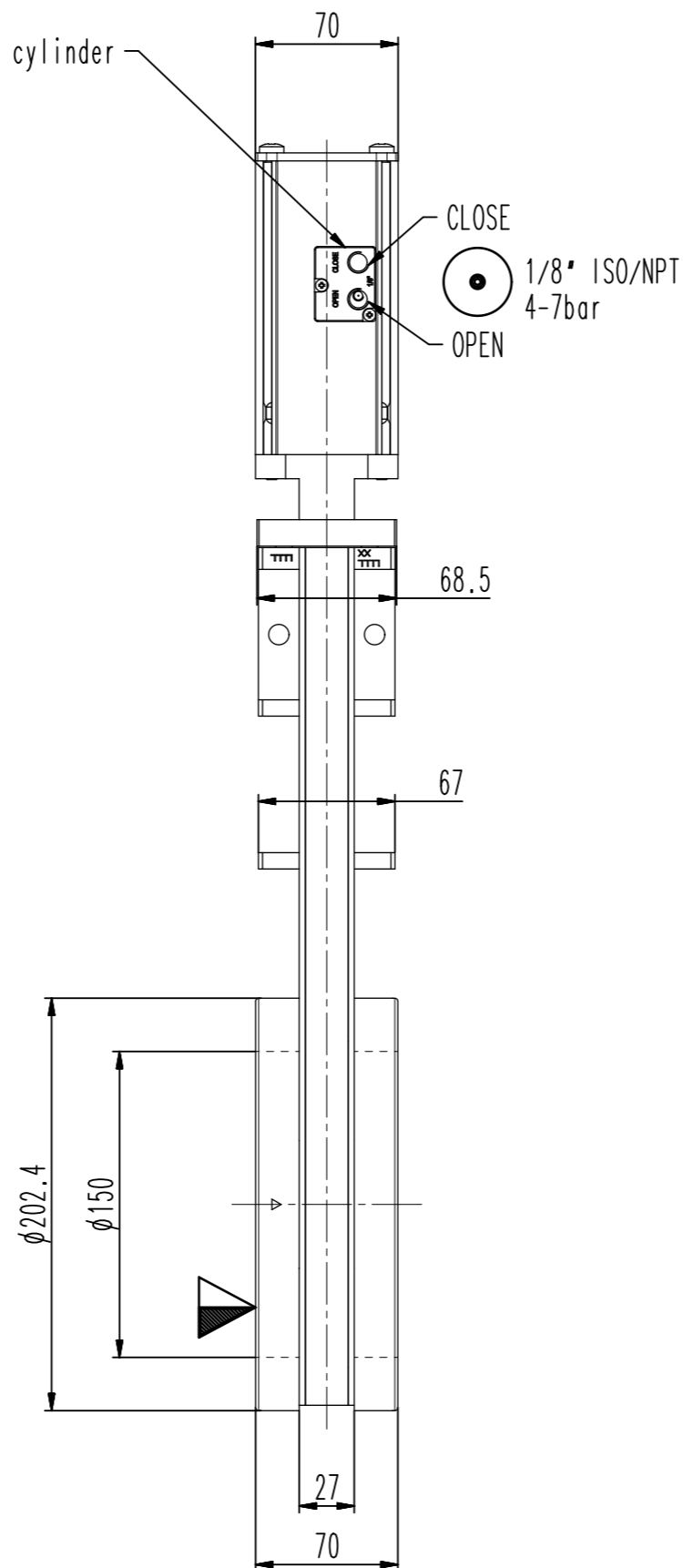
This drawing is the property of VAT.

Revision

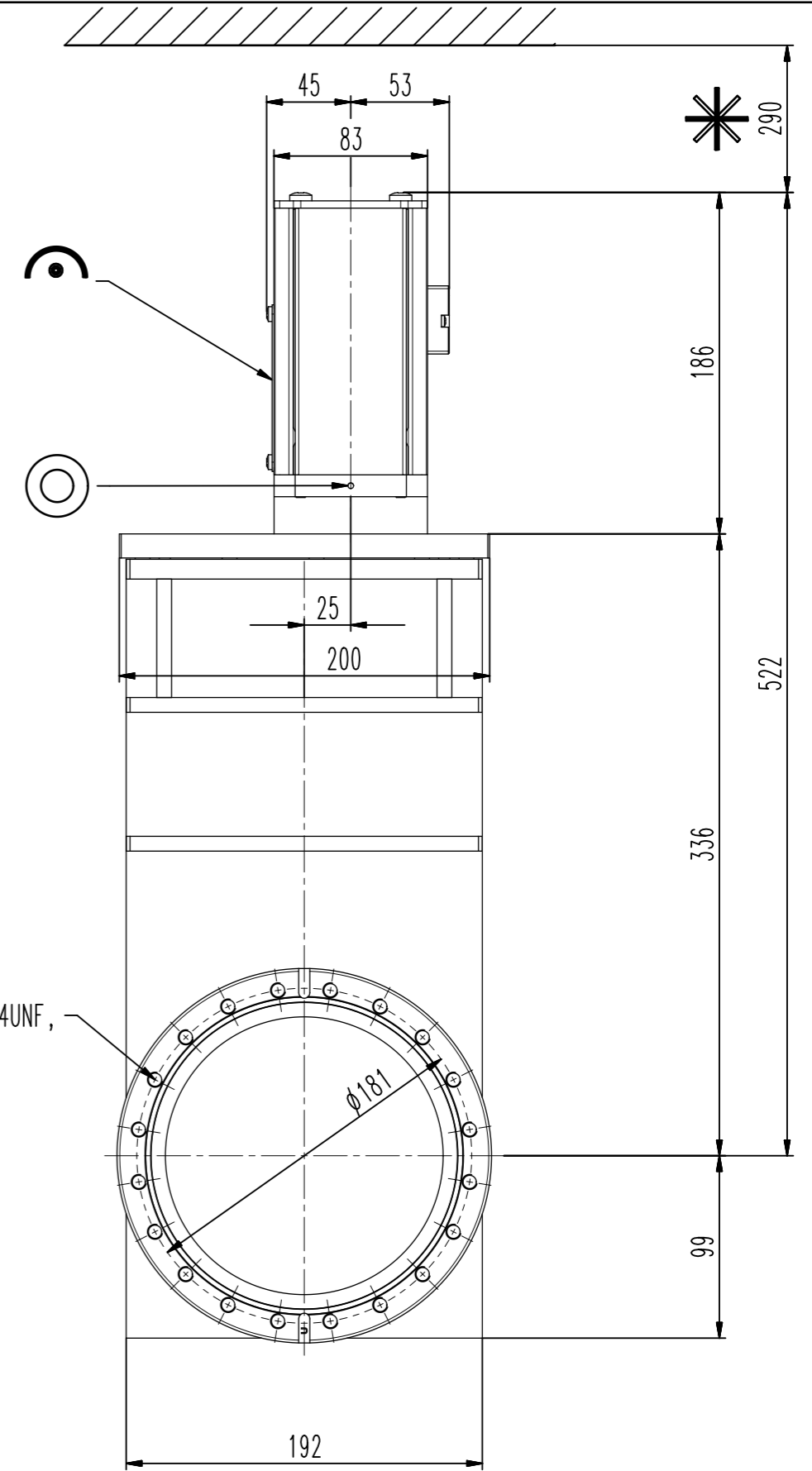
Customer number



2xM5 (10-32 UNF suitable) in air cylinder if adapter plate is removed



20x5/16"-24UNF, 13 deep



- Seat side
- Comp. air connection
- Electrical connection
- Leak detection port
- Mech. pos. indication
- Position indicator
- Required for dismantling
- Emergency actuation
- For attachment
- Bake-out area
- Differential pumping port



VAT Vakuumventile AG

CH-9469 Haag, Switzerland
Tel ++41 81 7716161 Fax ++41 81 7714830

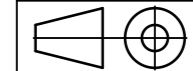
Rev.-Date: 20.03.03

Visa: SUP

Series

108

Projection E



Dimensional Drawing

Ordering No.

10844-UE14-0005

DN

160

Flange

CF-F UNF

237856

Rev.

VAT/DA