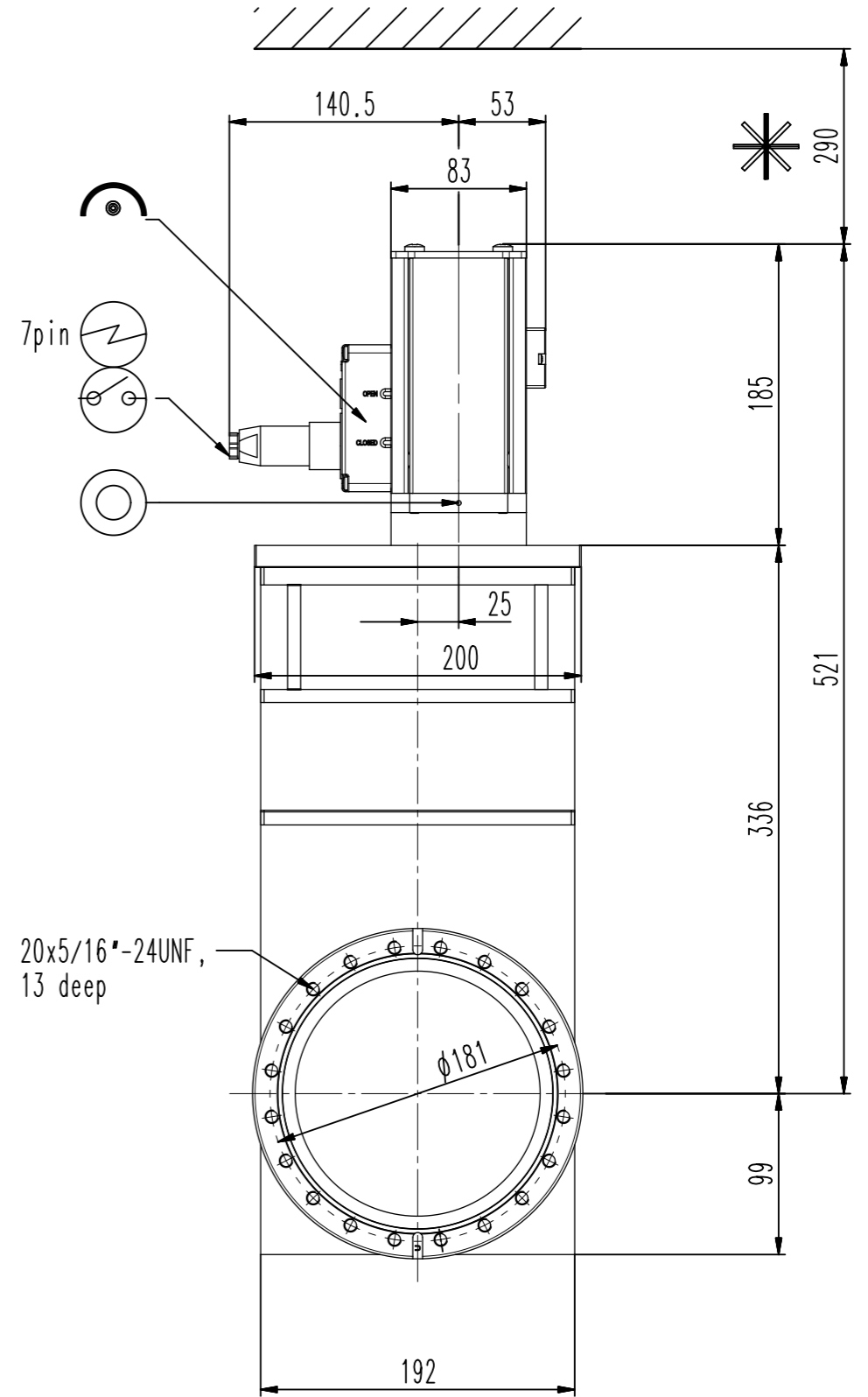
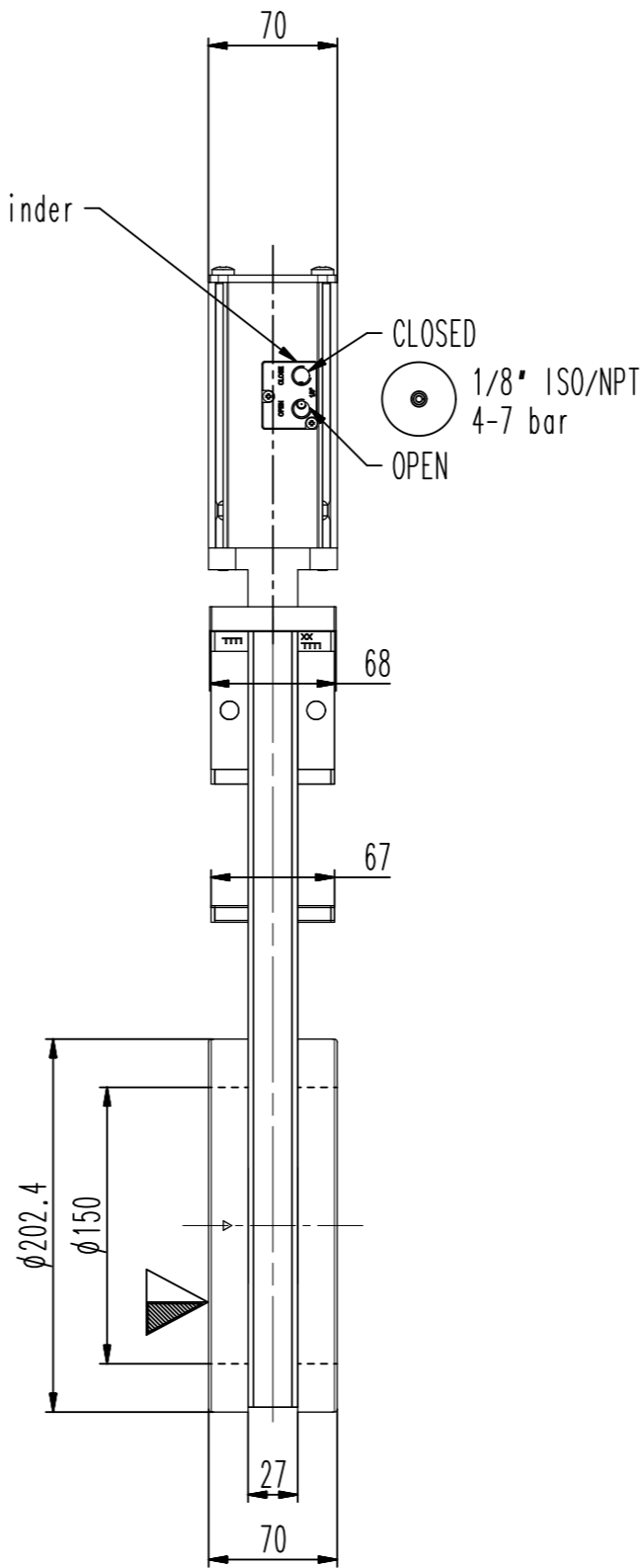


2xM5 (10-32 UNF suitable) in air cylinder if adapter plate is removed



- ▼ Seat side
- ⊙ Comp. air connection
- ⊙ Electrical connection
- ⊙ Leak detection port
- ⊙ Mech. pos. indication
- ⊙ Position indicator
- ⊙ Required for dismantling
- ⊙ Emergency actuation
- ⊙ For attachment
- ⊙ Bake-out area
- ⊙ Differential pumping port



VAT Vakuumventile AG

CH-9469 Haag, Switzerland  
Tel ++41 81 7716161 Fax ++41 81 7714830

Rev.-Date: 21.06.99

Visa: SUP

Series

108

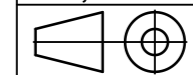
Ordering No.

10844-UE24-0005

Projection E

DN

Flange



160

CF-F UNF

Dimensional Drawing

206931

Rev.