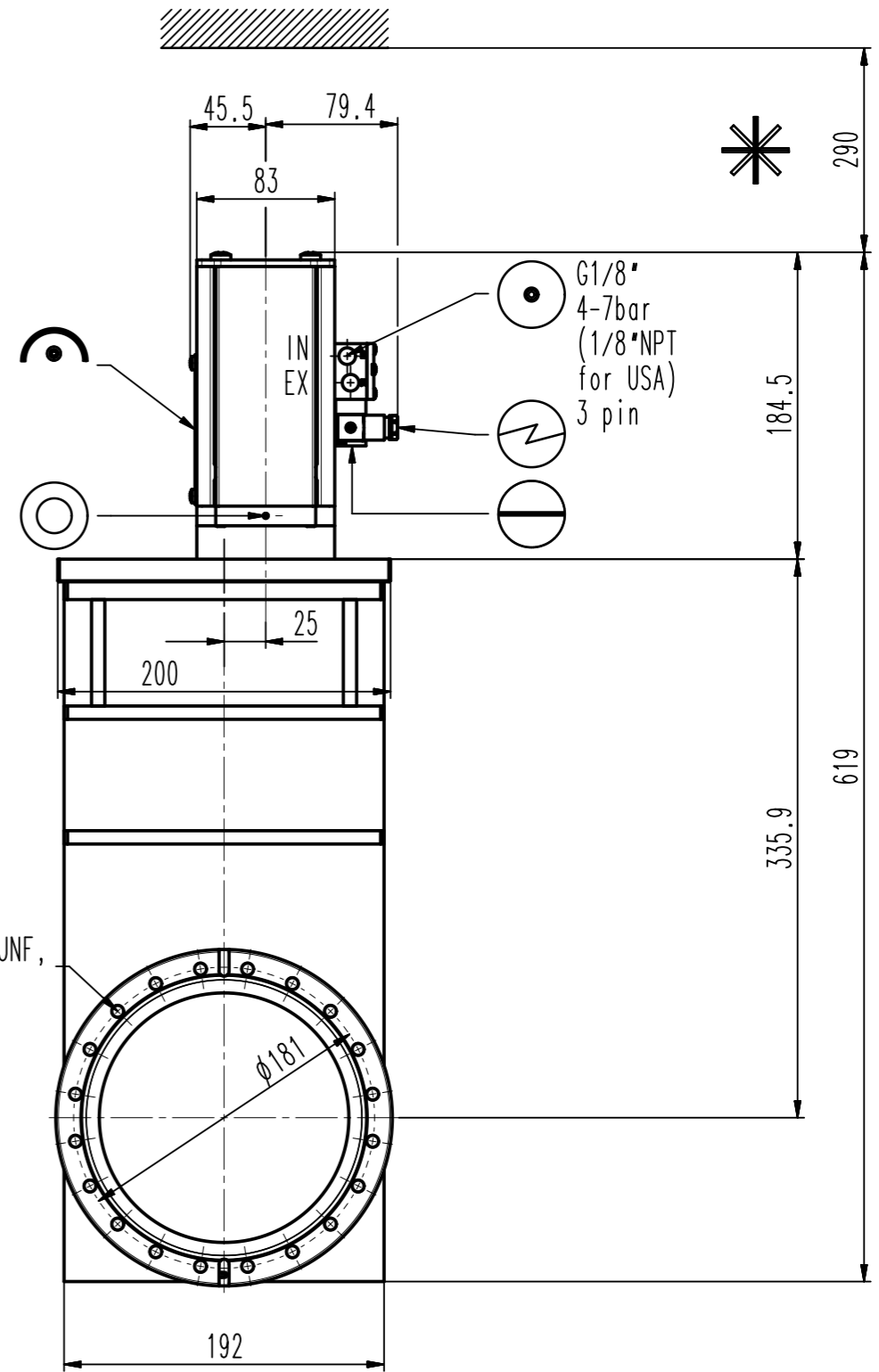


20x5/16"-24UNF,
13deep



- ▼ Seat side
- ⊙ Comp. air connection
- ⊕ Electrical connection
- ⊖ Leak detection port
- ⊙ Mech. pos. indication
- ⊙ Position indicator
- ⊙ Required for dismantling
- ⊙ Emergency actuation
- ⊙ For attachment
- ⊙ Bake-out area
- ⊙ Differential pumping port

UHV gate valve



VAT Vakuumventile AG
CH-9469 Haag, Switzerland
Tel ++41 81 7716161 Fax ++41 81 7714830

Rev.-Date: 14.10.13
Visa: GRX

Series	108	Ordering No.	10844-UE34-0005
Projection E	DN	Flange	
	160	CF-F UNF	
Dimensional Drawing	237857	Rev.	A