



VAT Vakuumventile AG
CH-9469 Haag, Schweiz

Product data sheet

UHV gate valve, Series 108, DN 160 (ID 6'')
Ordering No. 10844-UE44

Description

Flange	CF-F 160 UNF
Actuator	pneumatic, double acting – with solenoid valve – with position indicator
Feedthrough	Bellows

Technical data

Leak rate	– Valve body – Valve seat	$< 5 \cdot 10^{-10}$ mbar ls ⁻¹ $< 1 \cdot 10^{-9}$ mbar ls ⁻¹
Pressure range		$1 \cdot 10^{-10}$ mbar to 1.6 bar (abs)
Differential pressure on the gate		≤ 1.6 bar
Differential pressure at opening		≤ 30 mbar
Conductance (molecular flow)		5880 ls ⁻¹
Cycles until first service		50 000 (unheated and under clean conditions)
Temperature (Maximum values: depending on operating conditions and sealing materials)	– Valve Body – Actuator – Solenoid valve – Position indicator	≤ 250 °C open / ≤ 200 °C closed (bake-out max. 24h) ≤ 200 °C ≤ 50 °C ≤ 80 °C
Heating and cooling rate		50 °C h ⁻¹
Material (main components)	– Valve Body – Mechanism – Bellows	AISI 304 (1.4301) AISI 316L (1.4404), AISI 304 (1.4301) AISI 316L (1.4404, 1.4435)
Seal	– Bonnet – Gate – Actuator	metal FKM (Viton®), vulcanized FKM (Viton®), NBR
Mounting position		any
Volume of pneumatic actuator		0.14 l / 0.0049 ft ³
Compressed air min. – max. overpressure		4 – 7 bar / 58 – 102 psi
Compressed air connection		G $\frac{1}{2}$ " (1/8" NPT for USA)

Created by: MAEM	Release date: 2013-01-17	1 of 2
Modified by:	Release date:	299125EA



VAT Vakuumventile AG
CH-9469 Haag, Schweiz

Product data sheet

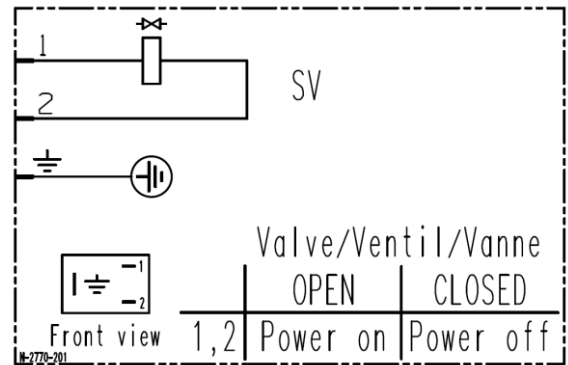
UHV gate valve, Series 108, DN 160 (ID 6'')
Ordering No. 10844-UE44

Actuation time	- closing	1.5 s
	- opening	1.5 s
Weight		16.8 kg / 37 lbs
Behavior in case of compressed air pressure drop	- Valve closed	valve remains closed
	- Valve open	undefined
Behavior in case of power failure	- Valve closed	valve remains closed
	- Valve open	valve closes

Electrical connections

Solenoid valve

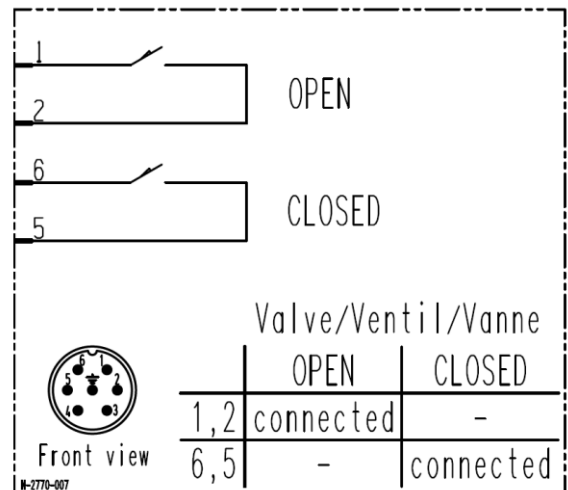
Type	4/2 way
Voltage	Defined by order



Wiring diagram

Position indicator

Type	Micro switch
Voltage	≤ 50 V AC / DC
Current max.	≤ 1.2 A



Wiring diagram