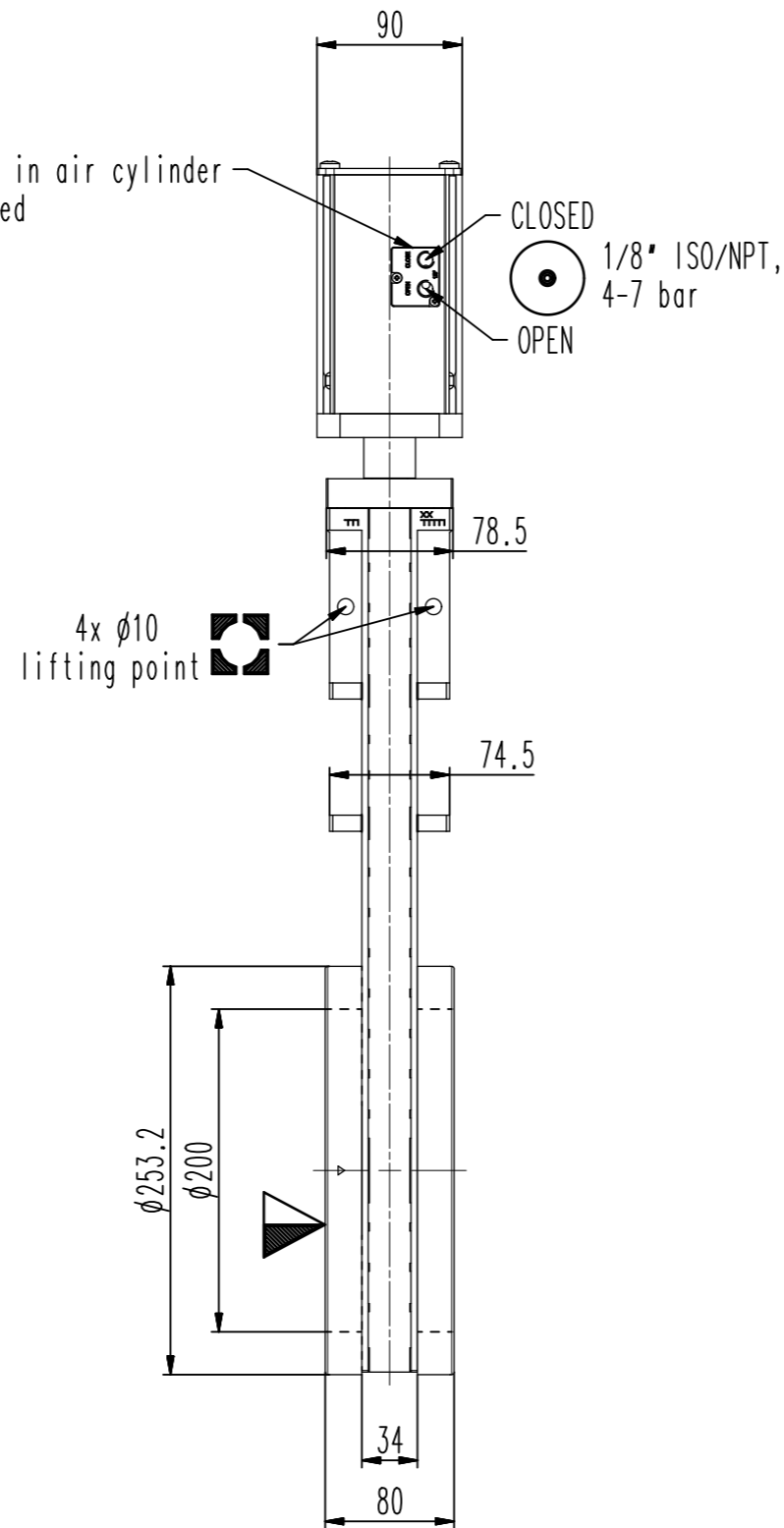
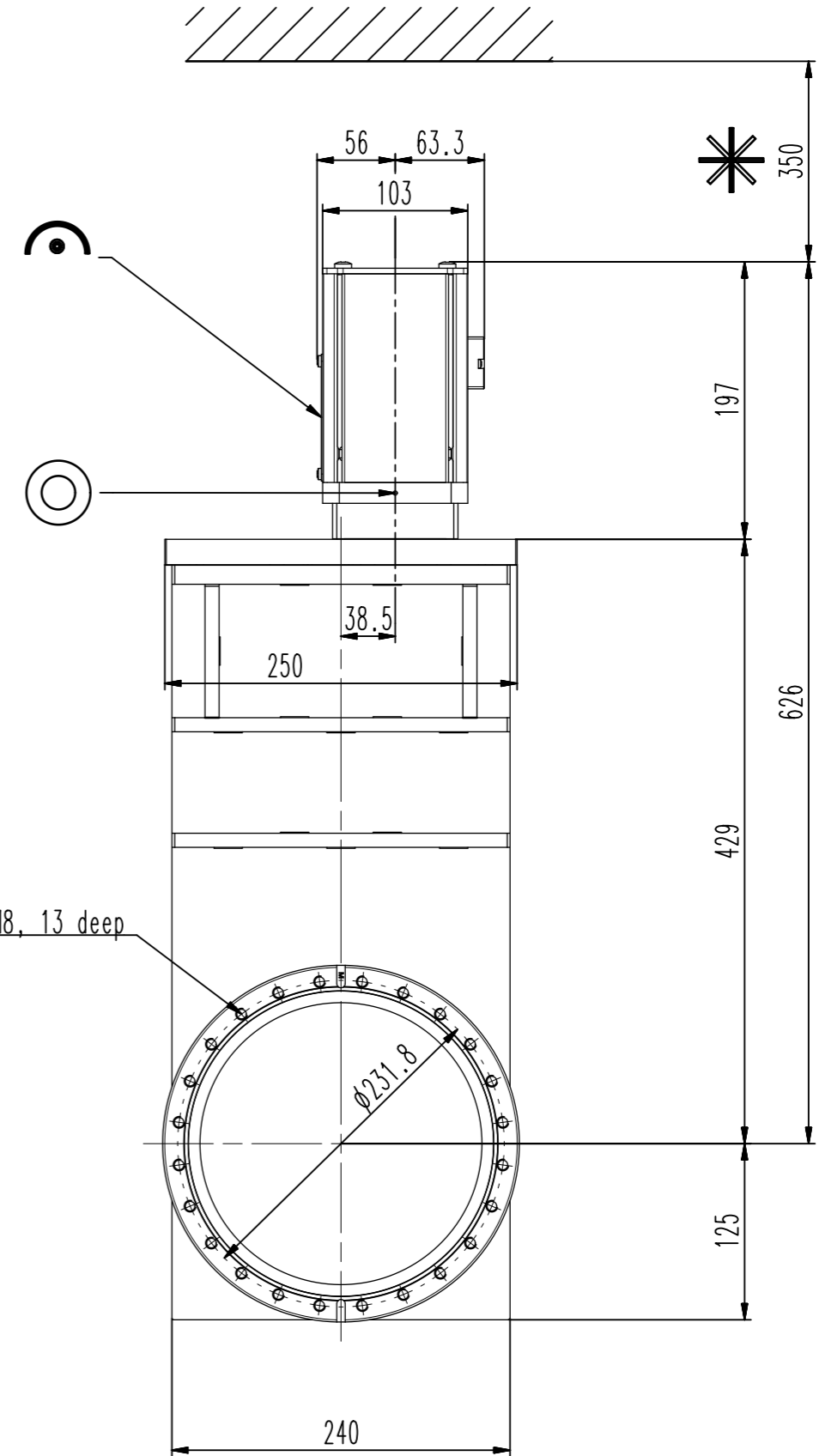


2xM5 (10-32 UNF suitable) in air cylinder if adapter plate is removed



24x M8, 13 deep



- ▼ Seat side
- ⊙ Comp. air connection
- ⊙ Electrical connection
- ⊙ Leak detection port
- ⊙ Mech. pos. indication
- ⊙ Position indicator
- ⊙ Required for dismantling
- ⊙ Emergency actuation
- ⊙ For attachment
- ⊙ Bake-out area
- ⊙ Differential pumping port

UHV gate valve



VAT Vakuumventile AG
 CH-9469 Haag, Switzerland
 Tel ++41 81 7716161 Fax ++41 81 7714830

Rev.-Date: 16.06.17
 Visa: WAG

Series	108	Ordering No.	10846-CE14-0007
Projection E	DN	Flange	
	200	CF-F m	
Dimensional Drawing	898677	Rev.	