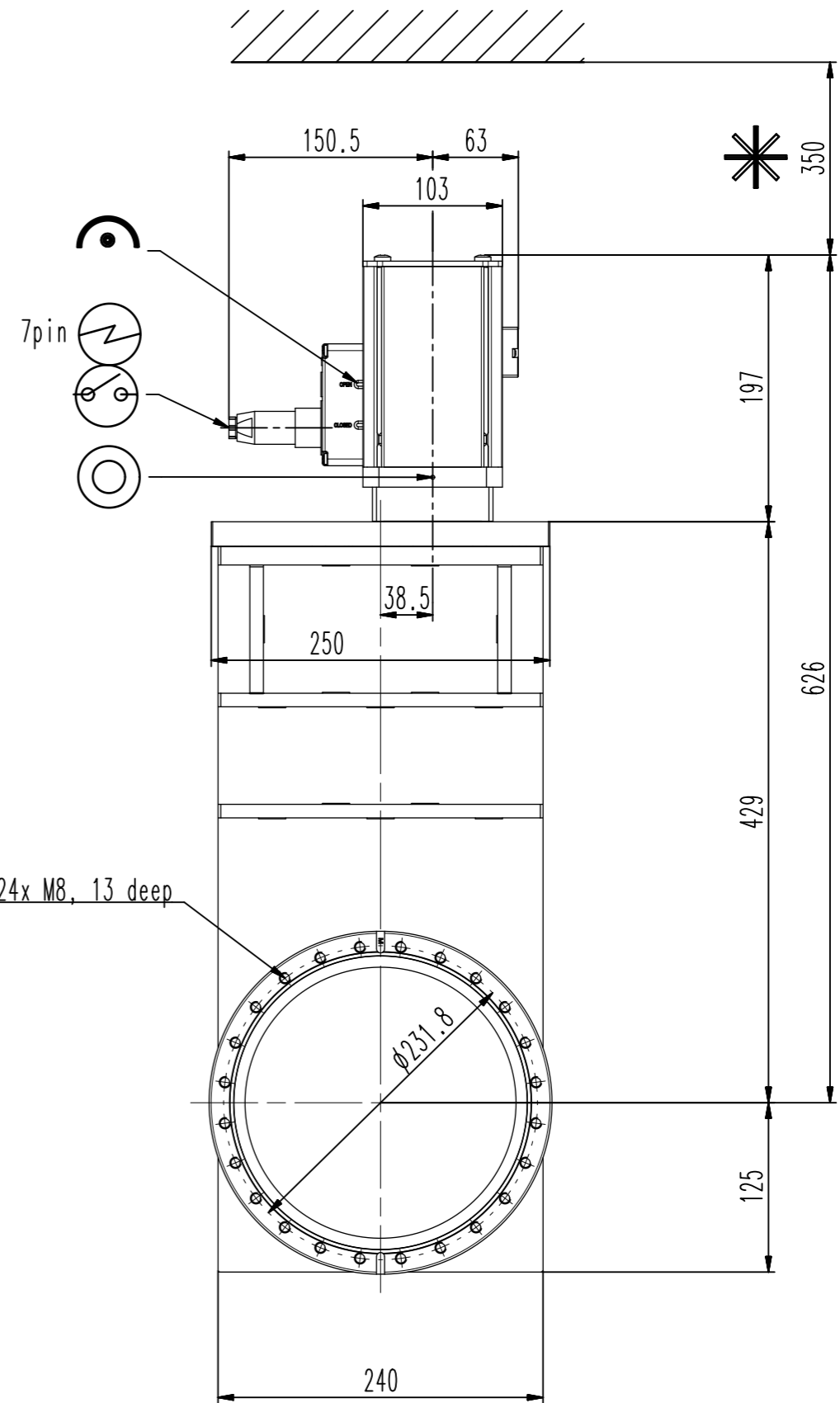
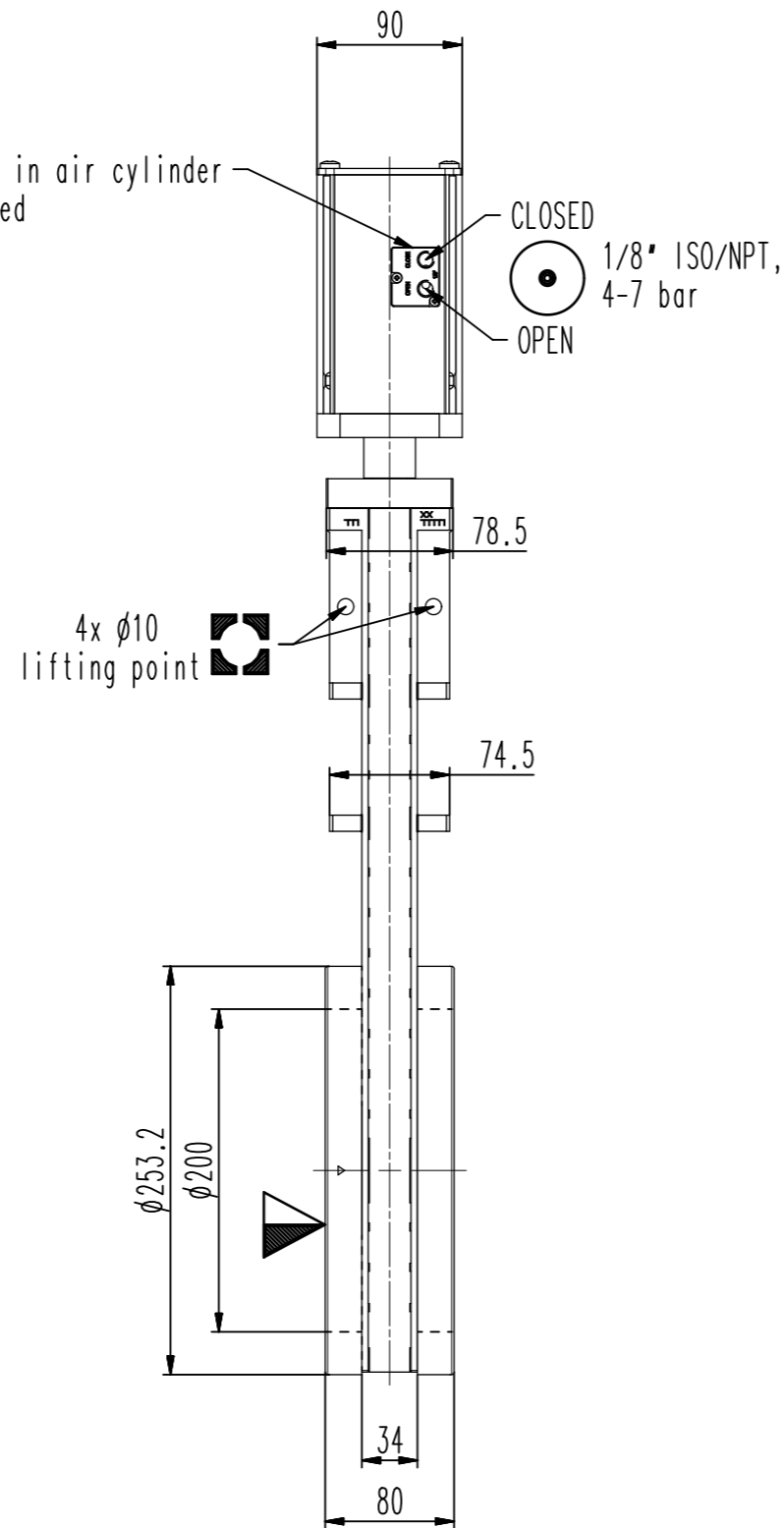


2xM5 (10-32 UNF suitable) in air cylinder if adapter plate is removed

4x  $\phi 10$  lifting point



- Seat side
- Comp. air connection
- Electrical connection
- Leak detection port
- Mech. pos. indication
- Position indicator
- Required for dismantling
- Emergency actuation
- For attachment
- Bake-out area
- Differential pumping port

### UHV gate valve



VAT Vakuumventile AG  
 CH-9469 Haag, Switzerland  
 Tel ++41 81 7716161 Fax ++41 81 7714830

Rev.-Date: 16.06.17  
 Visa: WAG

Series	108	Ordering No.	10846-CE24-0007
Projection E	DN	Flange	
	200	CF-F m	
Dimensional Drawing	898656	Rev.	