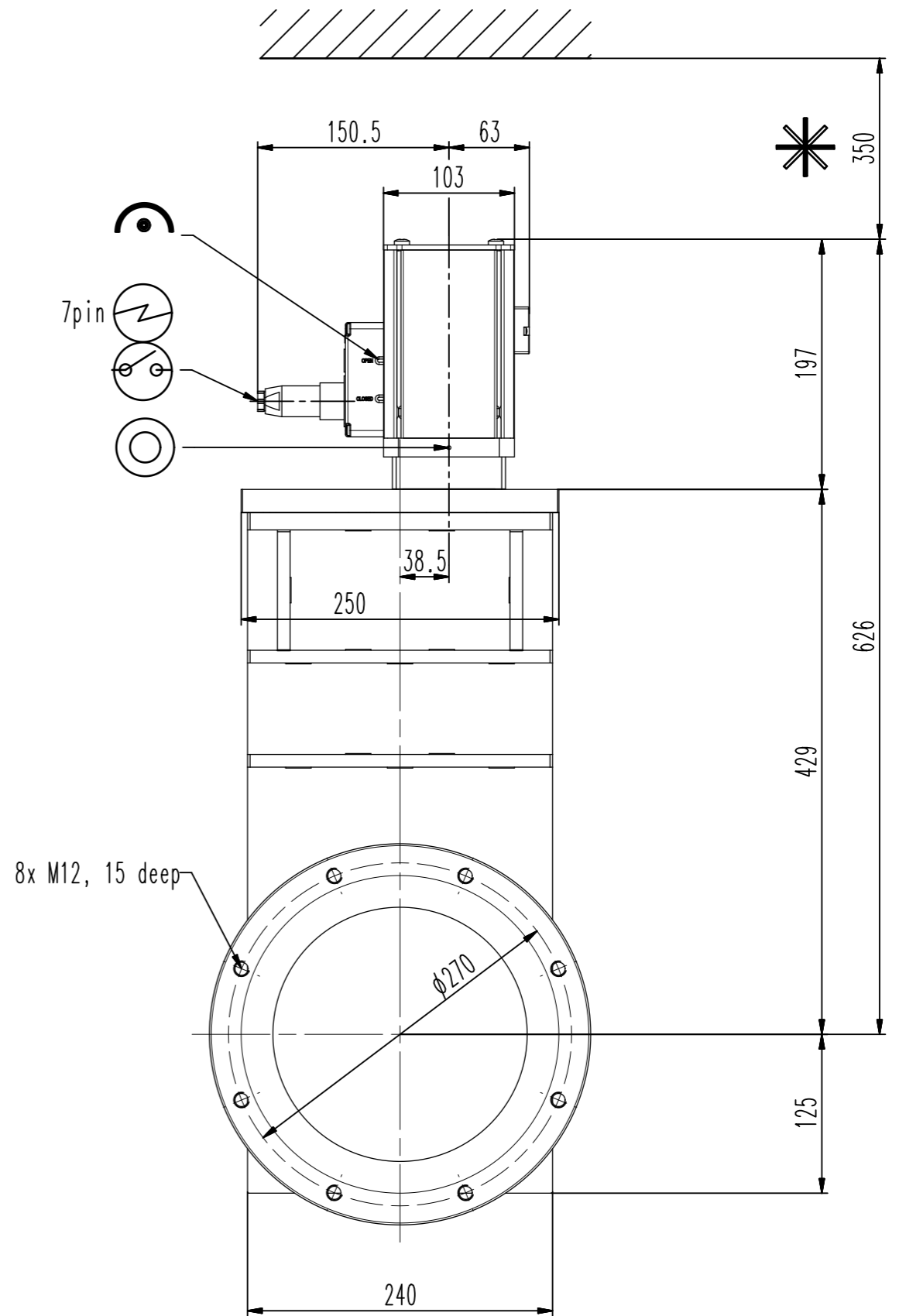
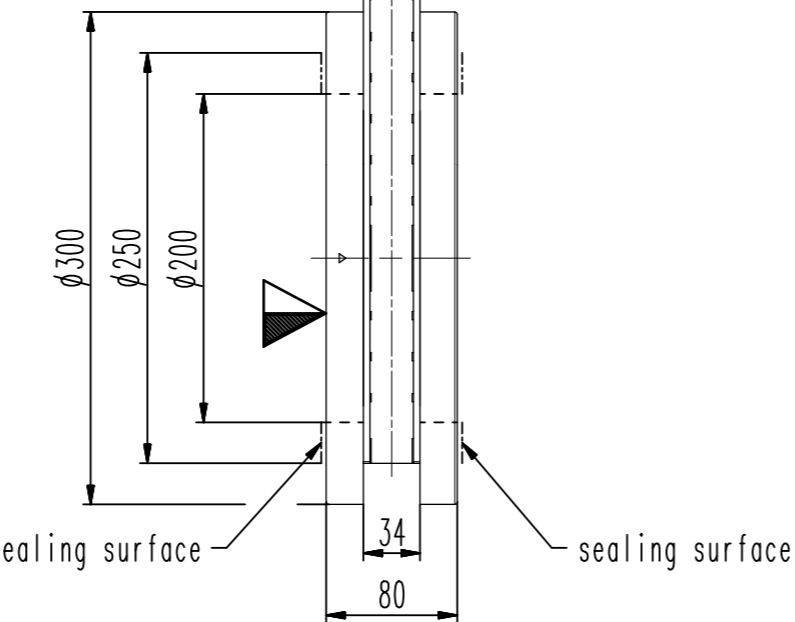
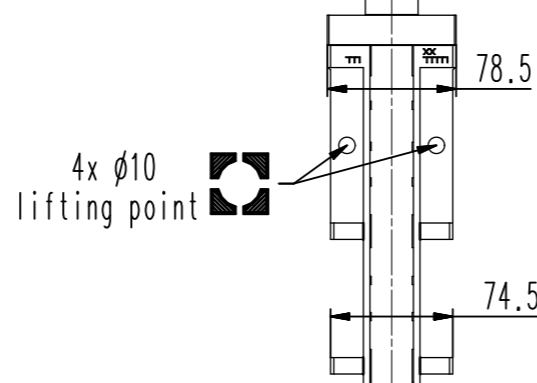
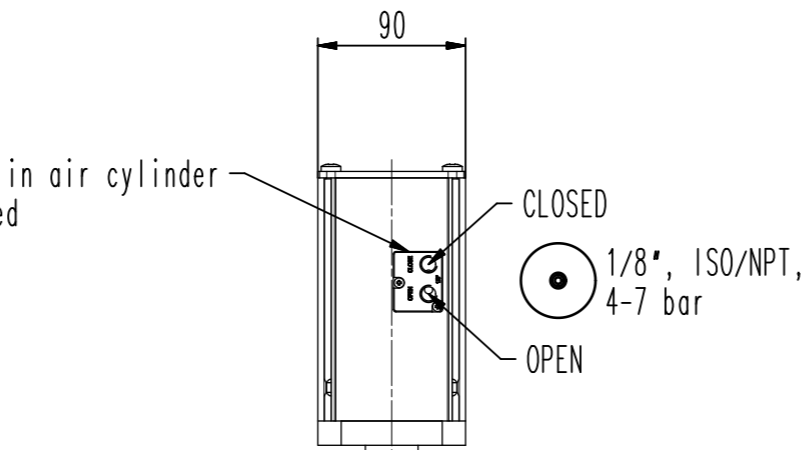


2xM5 (10-32 UNF suitable) in air cylinder if adapter plate is removed



8x M12, 15 deep

- ▼ Seat side
- ⊙ Comp. air connection
- ⊕ Electrical connection
- ⊖ Leak detection port
- ⊙ Mech. pos. indication
- ⊙ Position indicator
- ⊙ Required for dismantling
- ⊙ Emergency actuation
- ⊙ For attachment
- ⊙ Bake-out area
- ⊙ Differential pumping port

UHV gate valve

VAT VAT Vakuumventile AG
 CH-9469 Haag, Switzerland
 Tel ++41 81 7716161 Fax ++41 81 7714830

Rev.-Date: 07.07.17
 Visa: WAG

Series	108	Ordering No.	10846-JE24-0007
Projection E	DN	Flange	JIS
	200		
Dimensional Drawing	901845		Rev.