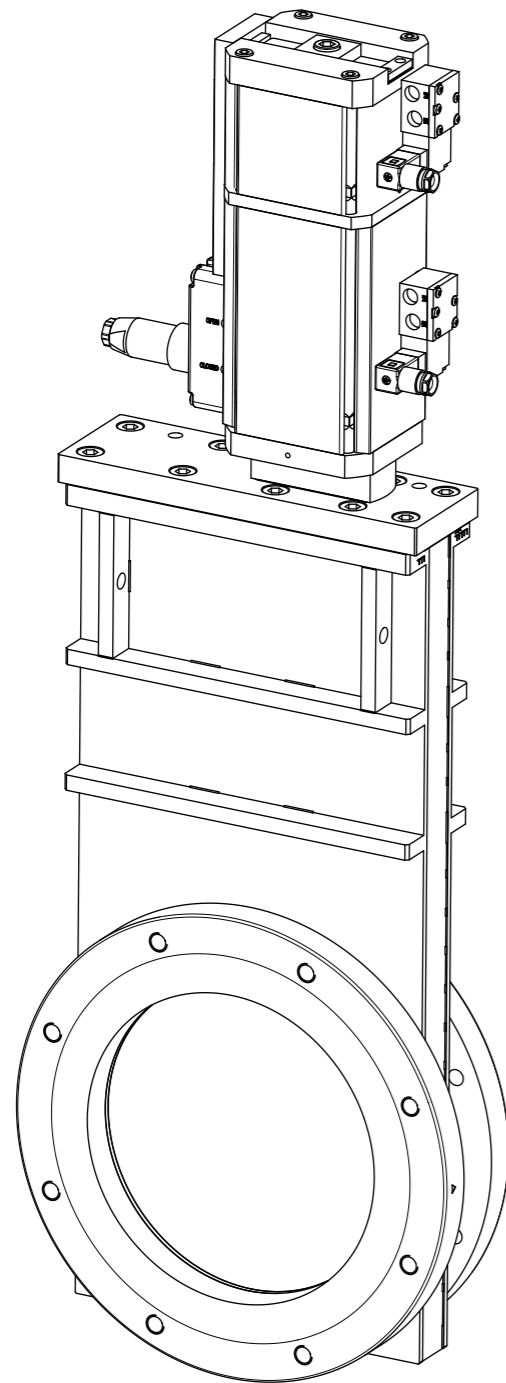


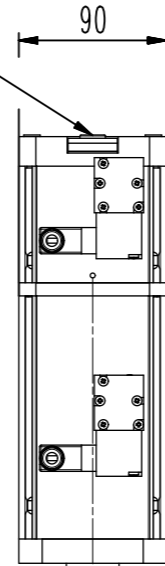
This drawing is the property of VAT.

Revision

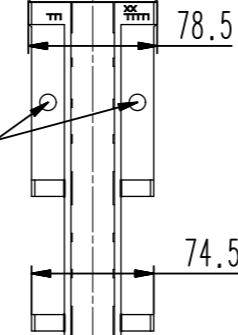
Customer number



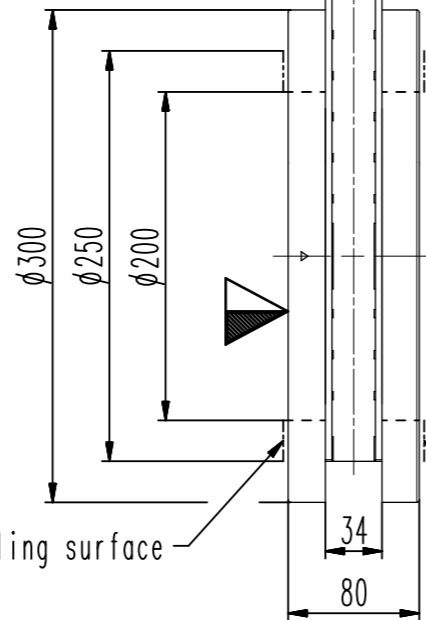
adjusting screw for intermediate position



4x $\phi 10$
lifting point

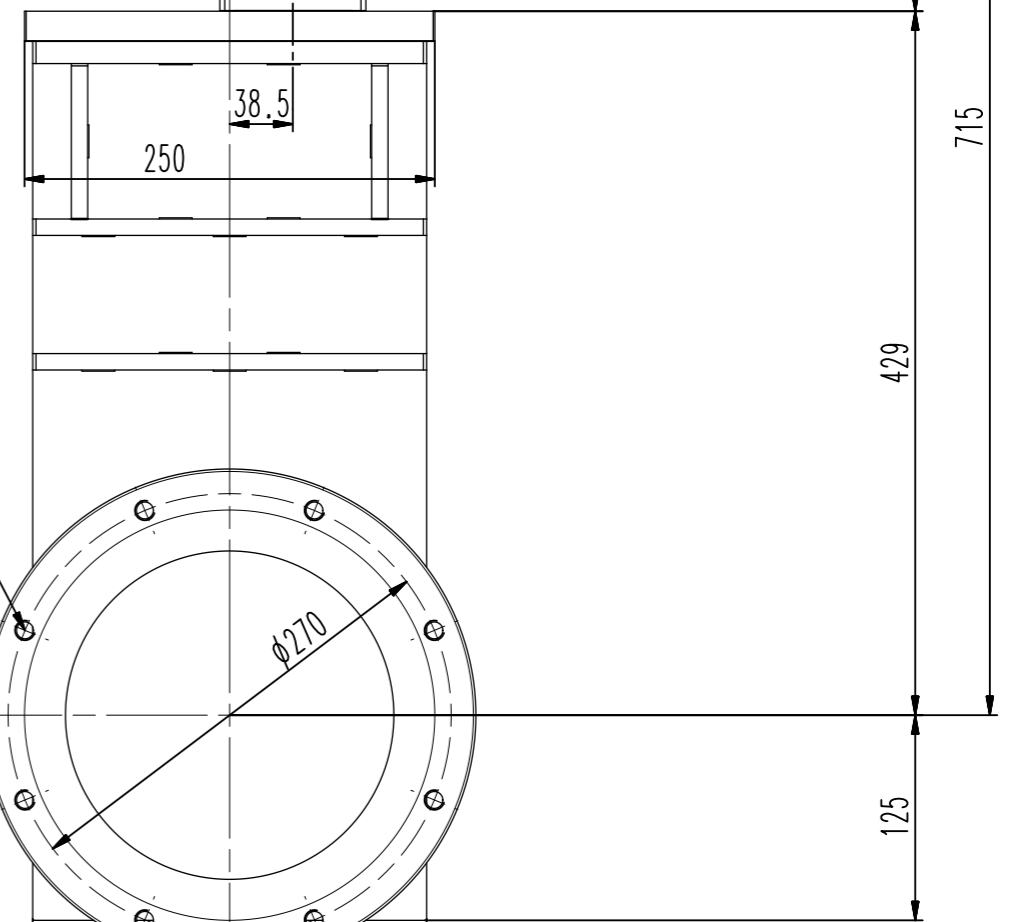
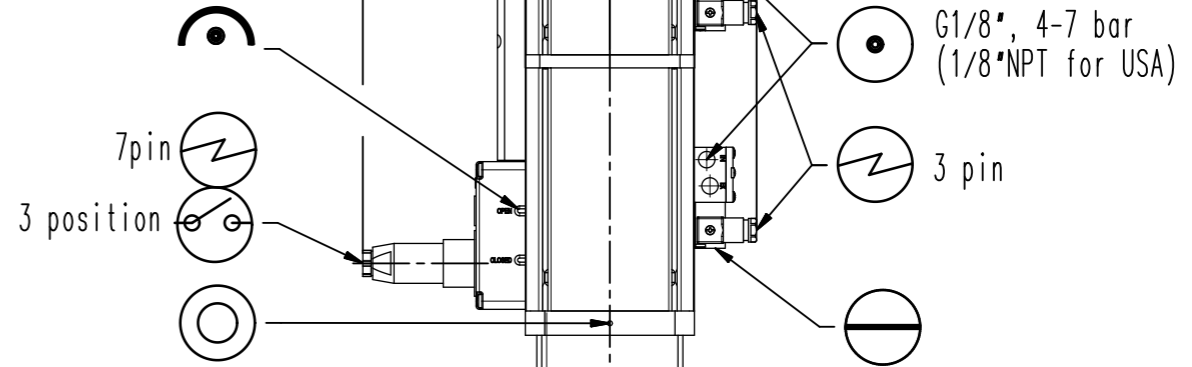
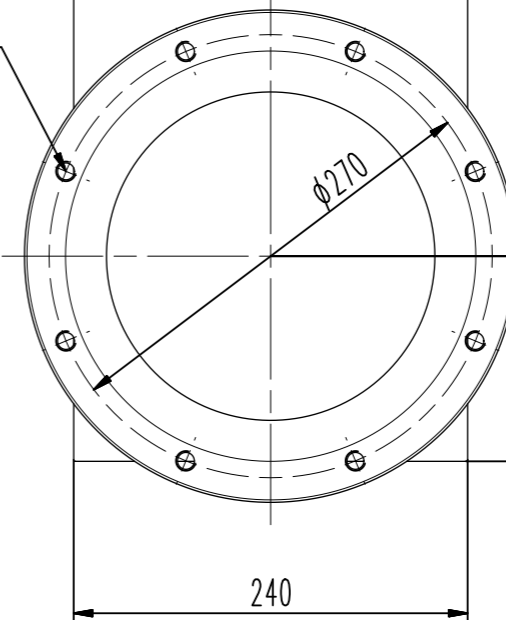


sealing surface



sealing surface

8x M12, 15 deep



- Seat side
- Comp. air connection
- Electrical connection
- Leak detection port
- Mech. pos. indication
- Position indicator
- Required for dismantling
- Emergency actuation
- For attachment
- Bake-out area
- Differential pumping port

UHV gate valve



VAT Vakuumventile AG
CH-9469 Haag, Switzerland
Tel ++41 81 7716161 Fax ++41 81 7714830

Rev.-Date: 11.07.17
Visa: WAG

Series	108	Ordering No.	10846-JE48-0007
Projection E	DN	Flange	JIS
	200		
Dimensional Drawing	902288	Rev.	