



VAT Vakuumventile AG
CH-9469 Haag, Schweiz

Product data sheet

UHV gate valve, Series 108, DN 200 (ID 8'')
Ordering No. 10846-PE34-0007

Description

Flange	ISO-F 200
Actuator	pneumatic, double acting – with solenoid valve – without position indicator
Feedthrough	Bellows

Technical data

Leak rate	– Valve body – Valve seat	$< 5 \cdot 10^{-10}$ mbar ls ⁻¹ $< 1 \cdot 10^{-9}$ mbar ls ⁻¹
Pressure range		$1 \cdot 10^{-10}$ mbar to 1.6 bar (abs)
Differential pressure on the gate		≤ 1.6 bar
Differential pressure at opening		≤ 30 mbar
Conductance (molecular flow)		12 200 ls ⁻¹
Cycles until first service		50 000 (unheated and under clean conditions)
Temperature (Maximum values: depending on operating conditions and sealing materials)	– Valve Body – Actuator – Solenoid valve	≤ 250 °C open / ≤ 200 °C closed (bake-out max. 24h) ≤ 200 °C ≤ 50 °C
Heating and cooling rate		50 °C h ⁻¹
Material (main components)	– Valve Body – Mechanism – Bellows	AISI 304 (1.4301) AISI 316L (1.4404), AISI 304 (1.4301) AISI 316L (1.4404, 1.4435)
Seal	– Bonnet – Gate – Actuator	metal FKM (Viton®), vulcanized FKM (Viton®), NBR
Mounting position		any
Volume of pneumatic actuator		0.25 l / 0.0087 ft ³
Compressed air min. – max. overpressure		4 – 7 bar / 58 – 102 psi
Compressed air connection		G $\frac{1}{8}$ " ($\frac{1}{8}$ " NPT for USA)
Actuation time	– closing – opening	2 s 2 s
Weight		34 kg / 75 lbs
Behavior in case of compressed air pressure drop	– Valve closed – Valve open	valve remains closed undefined
Behavior in case of power failure	– Valve closed – Valve open	valve remains closed valve closes

Created by: BRR	Release date: 10.07.2017	1/2
Modified by:	Release date:	902023EA



VAT Vakuumventile AG
CH-9469 Haag, Schweiz

Product data sheet

UHV gate valve, Series 108, DN 200 (ID 8'')
Ordering No. 10846-PE34-0007

Electrical connections

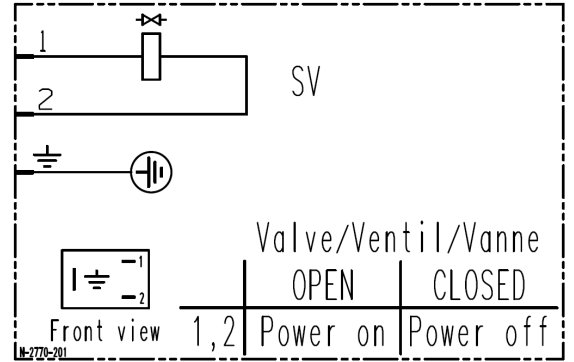
Solenoid valve

Type

4/2 way

Voltage

Defined by order



Created by: BRR	Release date: 10.07.2017	2/2
Modified by:	Release date:	902023EA