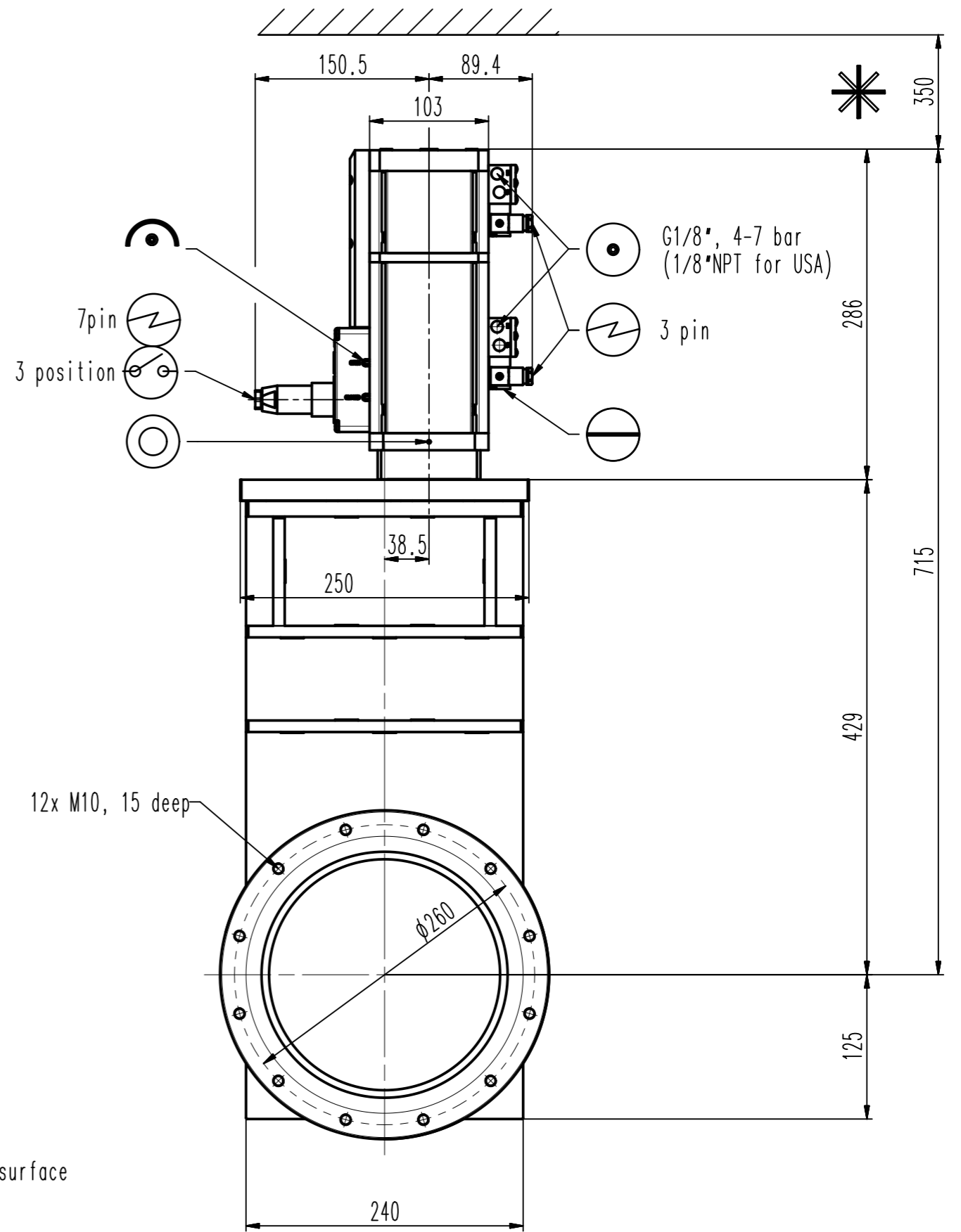
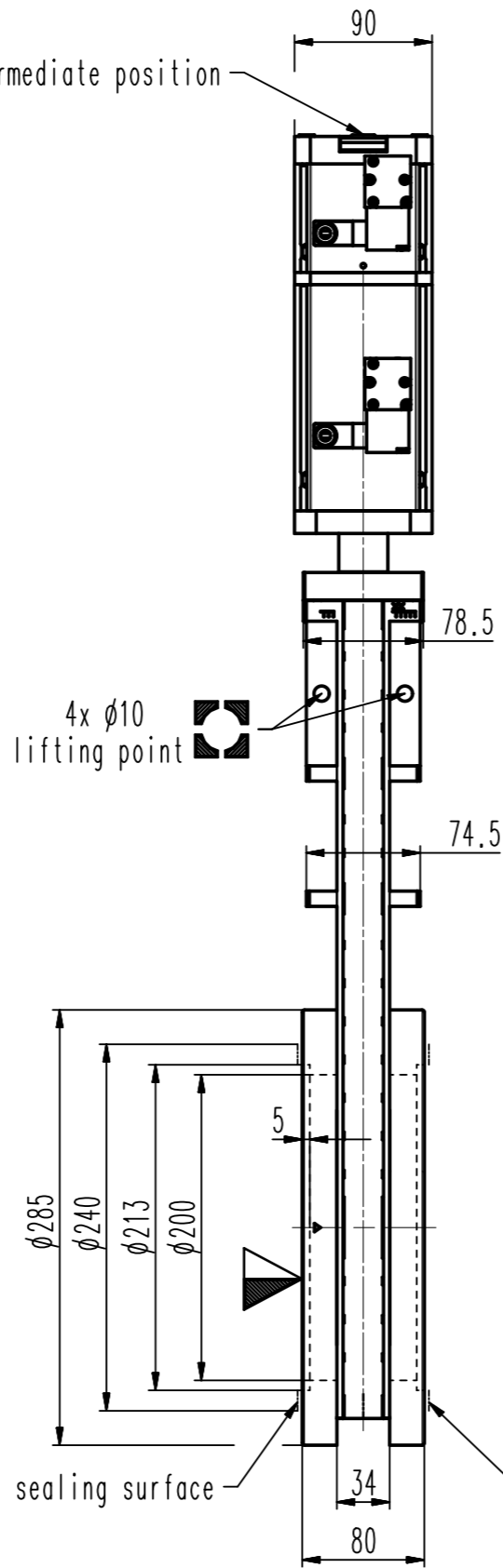


adjusting screw for intermediate position



- ▼ Seat side
- ⊙ Comp. air connection
- ⊕ Electrical connection
- ⊖ Leak detection port
- ⊙ Mech. pos. indication
- ⊙ Position indicator
- ⊙ Required for dismantling
- ⊙ Emergency actuation
- ⊙ For attachment
- ⊙ Bake-out area
- ⊙ Differential pumping port

UHV gate valve



VAT Vakuumventile AG
 CH-9469 Haag, Switzerland
 Tel ++41 81 7716161 Fax ++41 81 7714830

Rev.-Date: 21.06.17
 Visa: WAG

| | | | |
|---------------------|--------|--------------|-----------------|
| Series | 108 | Ordering No. | 10846-PE48-0007 |
| Projection E | DN | Flange | |
| | 200 | ISO-F | |
| Dimensional Drawing | 899426 | | Rev. |