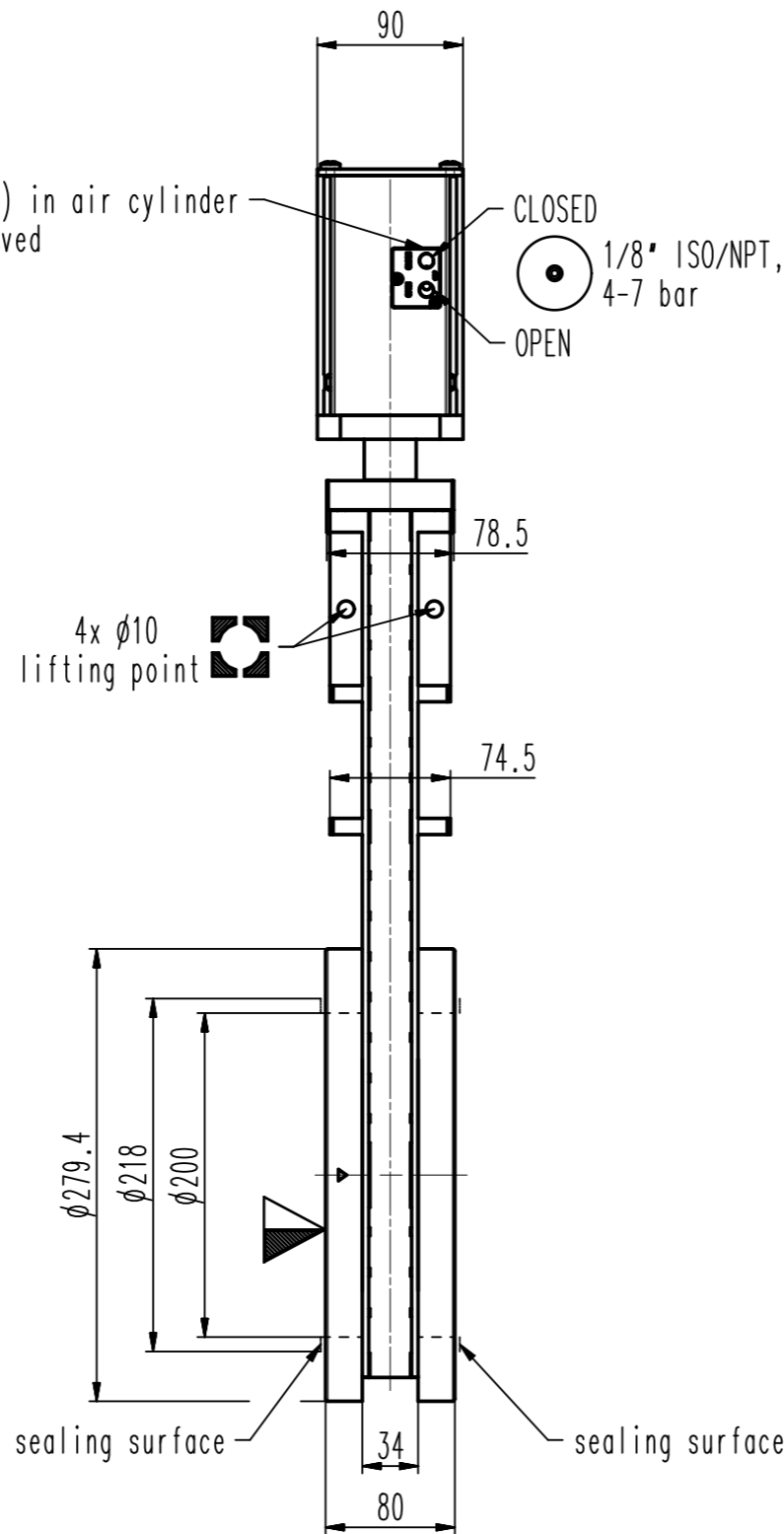
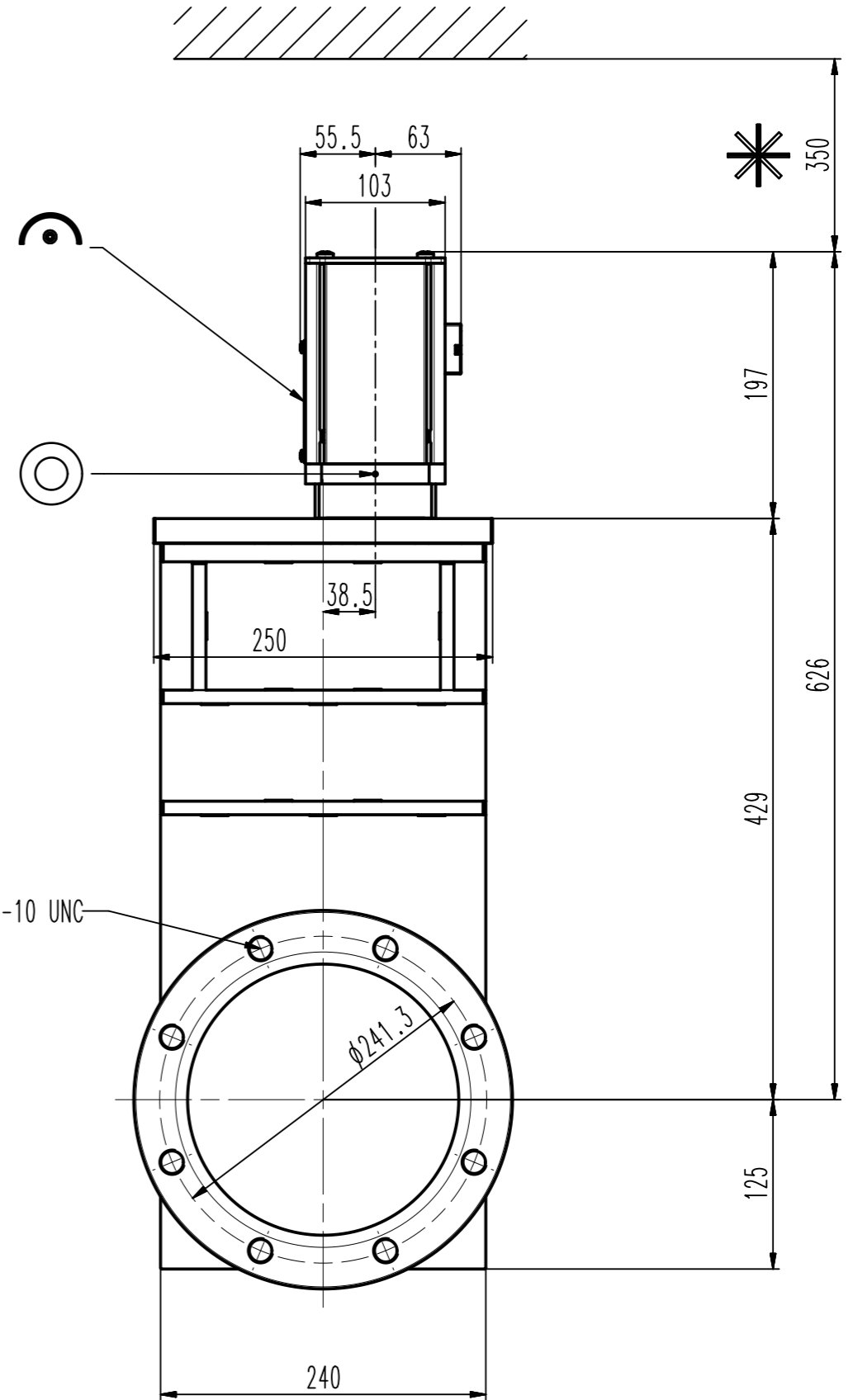


2xM5 (10-32 UNF suitable) in air cylinder  
if adapter plate is removed



8x 3/4"-10 UNC  
19 deep



- ▼ Seat side
- ⊙ Comp. air connection
- ⊙ Electrical connection
- ⊙ Leak detection port
- ⊙ Mech. pos. indication
- ⊙ Position indicator
- ⊙ Required for dismantling
- ⊙ Emergency actuation
- ⊙ For attachment
- ⊙ Bake-out area
- ⊙ Differential pumping port

### UHV gate valve



VAT Vakuumventile AG  
CH-9469 Haag, Switzerland  
Tel ++41 81 7716161 Fax ++41 81 7714830

Rev.-Date: 04.07.17  
Visa: WAG

Series	108	Ordering No.	10846-TE14-0007
Projection E	DN	Flange	ASA-LP
	200		
Dimensional Drawing	901198	Rev.	