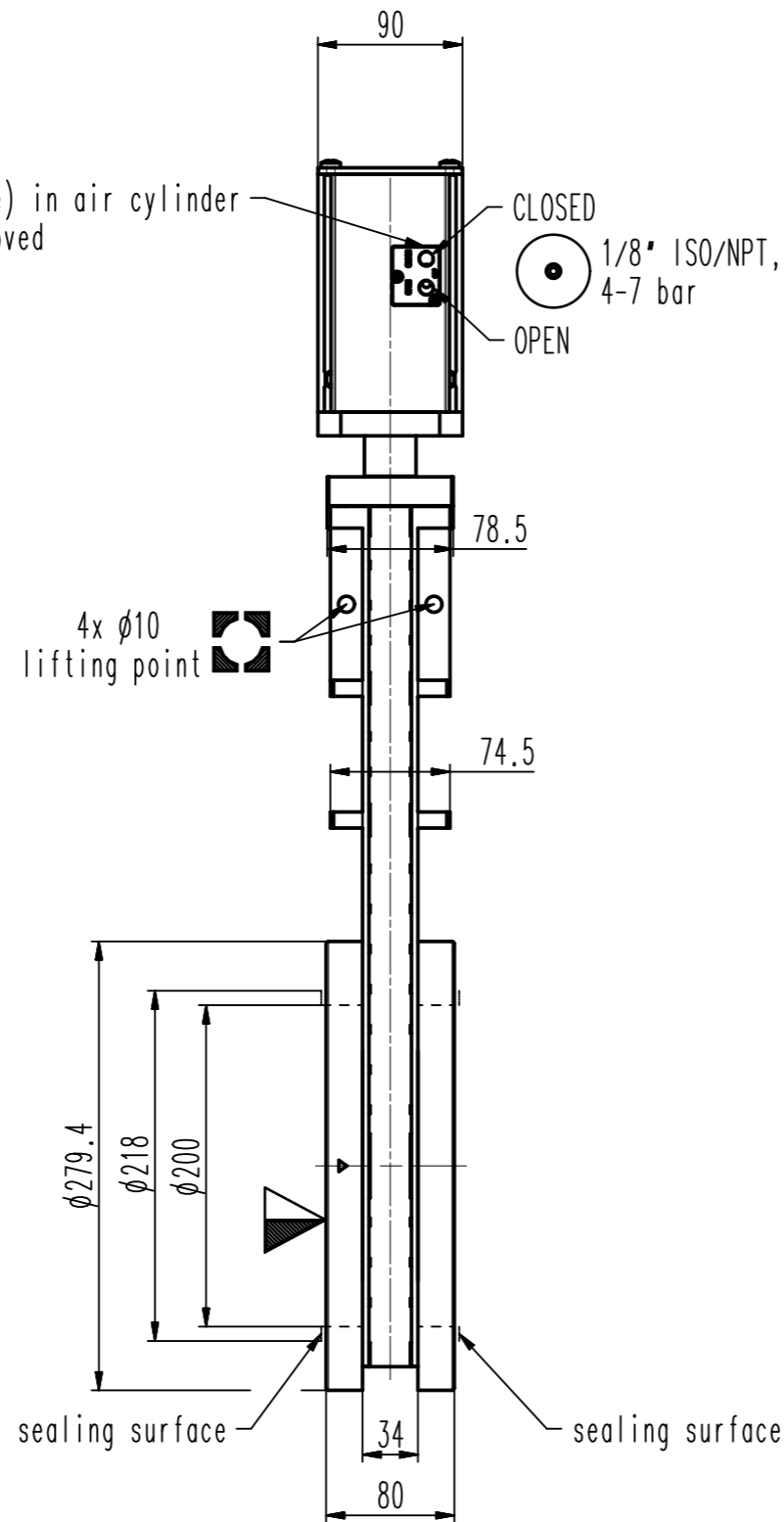
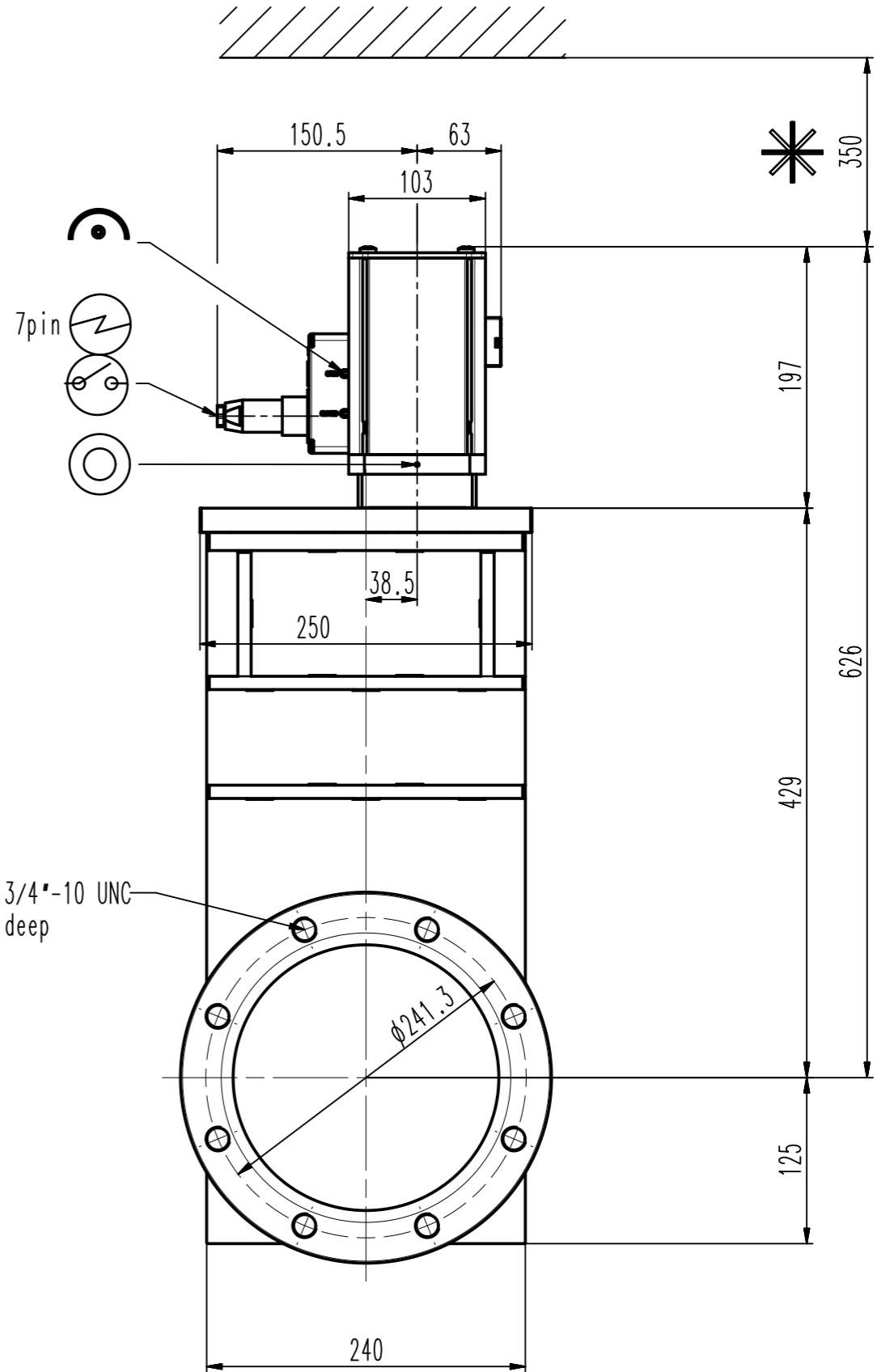


2xM5 (10-32 UNF suitable) in air cylinder
if adapter plate is removed



8x 3/4"-10 UNC
19 deep



- ▼ Seat side
- ⊙ Comp. air connection
- ⊙ Electrical connection
- ⊙ Leak detection port
- ⊙ Mech. pos. indication
- ⊙ Position indicator
- ⊙ Required for dismantling
- ⊙ Emergency actuation
- ⊙ For attachment
- ⊙ Bake-out area
- ⊙ Differential pumping port

UHV gate valve



VAT Vakuumventile AG
CH-9469 Haag, Switzerland
Tel ++41 81 7716161 Fax ++41 81 7714830

Rev.-Date: 04.07.17
Visa: WAG

Series	108	Ordering No.	10846-TE24-0007
Projection E	DN	Flange	ASA-LP
	200		
Dimensional Drawing	901166	Rev.	