

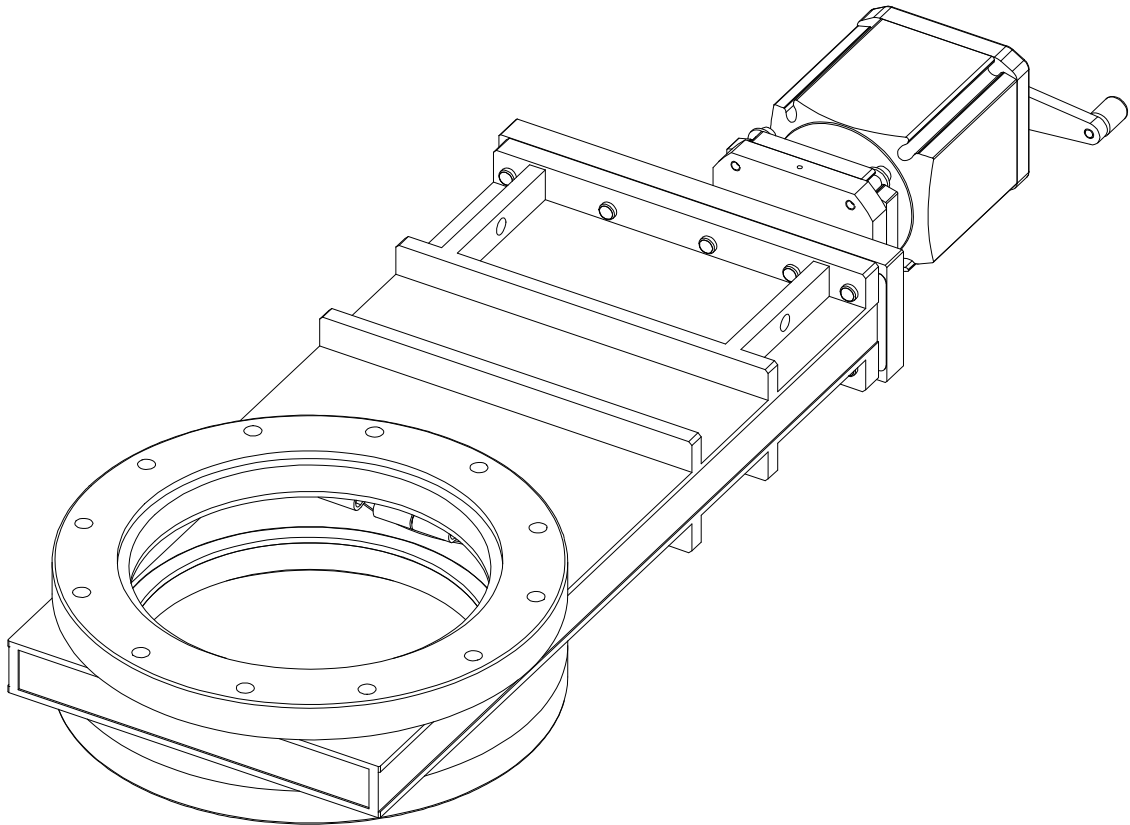
Installation, Operating & Maintenance Instructions



UHV gate valve with manual actuator

Series 108
DN 63 – 200 mm (I.D. 2½ – 8")

This manual is valid for the following product ordering numbers:
108 . . -. E01/08



Sample picture

Imprint

Manufacturer VAT Vakuumventile AG, CH-9469 Haag, Switzerland

Website: www.vatvalve.com
Phone: +41 81 771 61 61
Fax: +41 81 771 48 30
Email: CH@vatvalve.com

Publisher VAT Vakuumventile AG, CH-9469 Haag, Switzerland

Editor VAT Vakuumventile AG, CH-9469 Haag, Switzerland

Print VAT Vakuumventile AG, CH-9469 Haag, Switzerland

Copyright © VAT Vakuumventile AG 2017

No part of these Instructions may be reproduced in any way (photocopies, microfilms or any other reproduction processes) nor may it be manipulated with electronic systems, duplicated or distributed without written permission from VAT. Offenders are liable to pay damages.

The original VAT firmware and updated state of the art versions of the VAT firmware are intended for use with VAT products. The VAT firmware contains a limited, time unlimited user license. The VAT firmware may not be used for purposes other than those intended nor is it permitted to make copies of the VAT firmware. In particular, it is strictly forbidden to give copies of the VAT firmware to other people.

The use of trade names, brand names, trademarks, etc. in these Instructions does not entitle third parties to consider these names to be unprotected and to use them freely. This is in accordance with the meaning of the laws and acts covering brand names and trademarks.

Contents

| | | |
|-----------|---|-----------|
| 1 | Description of product | 4 |
| 1.1 | Identification of product..... | 4 |
| 1.2 | Use of product..... | 4 |
| 1.3 | Related documents..... | 4 |
| 1.4 | Important information..... | 4 |
| 1.5 | Technical data..... | 4 |
| 2 | Safety | 5 |
| 2.1 | Compulsory reading material..... | 5 |
| 2.2 | Danger levels | 5 |
| 2.3 | Personnel qualifications..... | 6 |
| 2.4 | Safety labels..... | 6 |
| 3 | Design and Function | 7 |
| 3.1 | Design..... | 7 |
| 3.2 | Function | 7 |
| 4 | Installation | 8 |
| 4.1 | Unpacking | 8 |
| 4.2 | Installation into the system..... | 8 |
| 4.2.1 | Admissible forces and bending moments | 10 |
| 4.3 | Electrical connection..... | 11 |
| 5 | Operation | 12 |
| 5.1 | Normal operation..... | 12 |
| 5.2 | Operation under increased temperature..... | 12 |
| 5.3 | Trouble shooting..... | 12 |
| 6 | Maintenance | 13 |
| 6.1 | Maintenance intervals..... | 13 |
| 6.2 | Required tools | 13 |
| 6.3 | Replacement of valve gate / mechanism unit..... | 14 |
| 7 | Repairs | 19 |
| 8 | Dismounting and Storage | 20 |
| 8.1 | Dismounting | 20 |
| 8.2 | Storage | 21 |
| 9 | Packaging and Transport | 22 |
| 9.1 | Packaging | 23 |
| 9.2 | Transport..... | 23 |
| 10 | Disposal | 24 |
| 11 | Spare parts | 25 |

1 Description of product

1.1 Identification of product

The fabrication number and order number are fixed on the product directly or by means of an identification plate.



← Fabrication number

← Order number

1.2 Use of product

Use product for clean and dry vacuum applications only. Other applications are only allowed with the written permission of VAT.

1.3 Related documents

- Product data sheet
- Dimensional drawing

1.4 Important information



This symbol points to a very important statement that requires particular attention.

Example:



VAT disclaims any liability for damages resulting from inappropriate packaging.

1.5 Technical data

See product data sheet and dimensional drawing.

2 Safety

2.1 Compulsory reading material

Read this chapter prior to performing any work with or on the product. It contains important information that is significant for your own personal safety. This chapter must have been read and understood by all persons who perform any kind of work with or on the product during any stage of its serviceable life.

| | |
|---|--|
|  | NOTICE |
| | <p>Lack of knowledge Failing to read this manual may result in property damage. Firstly, read manual.</p> |



These Installation, Operating & Maintenance Instructions are an integral part of a comprehensive documentation belonging to a complete technical system. They must be stored together with the other documentation and accessible for anybody who is authorized to work with the system at any time.

2.2 Danger levels

| | |
|---|--|
|  | ⚠ DANGER |
| | <p>High risk Indicates a hazardous situation which, if not avoided, will result in death or serious injury.</p> |

| | |
|---|---|
|  | ⚠ WARNING |
| | <p>Medium risk Indicates a hazardous situation which, if not avoided, could result in death or serious injury.</p> |

| | |
|---|---|
|  | ⚠ CAUTION |
| | <p>Low risk Indicates a hazardous situation which, if not avoided, may result in minor or moderate injury.</p> |

| | |
|---|---|
|  | NOTICE |
| | <p>Command Indicates a hazardous situation which, if not avoided, may result in property damage.</p> |

2.3 Personnel qualifications

| | |
|--|---|
| | WARNING |
| | <p>Unqualified personnel Inappropriate handling may cause serious injury or property damage. Only qualified personnel are allowed to carry out the described work.</p> |

2.4 Safety labels

| Label | Part No. | Location on valve |
|-------|------------|-------------------|
| | T-9001-156 | Protective cover |

Table 2-1

3 Design and Function

3.1 Design

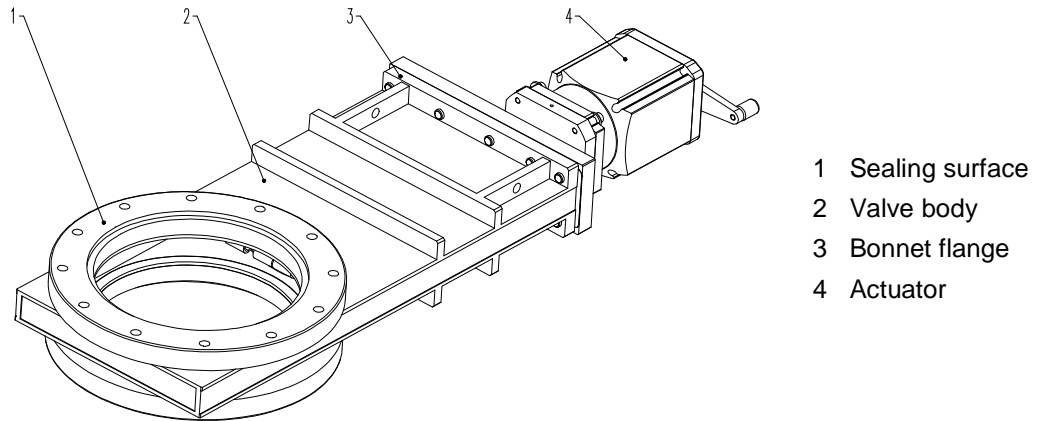


Figure 3-1

3.2 Function

The valve features the VATLOCK sealing technology. This means, the valve is mechanically locked in the closed position. In the open position, the mechanism is not locked. Leaf springs hold gate and counter plate against the carriage with the ball retainers. The ball pairs are in the detents. For closing, the mechanism is moved forward into the closing position. The locking starts after the leaf spring stop touches the body. The ball retainers move the ball pairs out of the detents. Gate and counter plate are spread apart. The gate seal is pressed against the sealing surface without scuffing. The arrangement of the ball pairs ensures an increase of the sealing force with vacuum on either side of the gate. During opening the movements proceed in the reverse order. See «Figure 3-2».

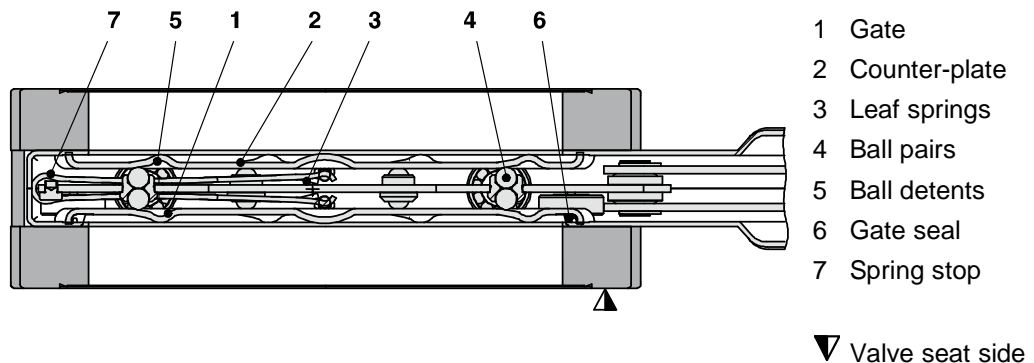


Figure 3-2

4 Installation

| | |
|--|---|
| | WARNING |
| | <p>Unqualified personnel Inappropriate handling may cause serious injury or property damage. Only qualified personnel are allowed to carry out the described work.</p> |

4.1 Unpacking




- Make sure that the supplied products are in accordance with your order.
- Inspect the quality of the supplied products visually. If it does not meet your requirements, please contact VAT immediately.
- Store the original packaging material. It may be useful if products must be returned to VAT.


4.2 Installation into the system

| | |
|--|---|
| | WARNING |
| | <p>Movable parts Human body parts may get jammed and severely injured. Do not connect or supply electrical power before the product is completely mounted in the system.</p> |

| | |
|--|---|
| | NOTICE |
| | <p>Contamination Product may get contaminated. Always wear cleanroom gloves when handling the product.</p> |

| | |
|--|---|
| | NOTICE |
| | <p>Inappropriate tools Sealing surfaces may get damaged. Do not use sharp-edged tools.</p> |

| NOTICE | |
|---|---|
|  | <p>Wrong tightening torque</p> <p>Valve body and screws may get damaged. Use tightening torque according the size of the screws.</p> |

| NOTICE | |
|---|---|
|  | <p>Too long screws</p> <p>Valve body may get deformed and / or malfunctions may occur. Use only screws recommended by VAT.</p> |

1. Identify flange type according the fabrication number on the identification plate; see chapter «1.1 Identification of product».

Example: 108 . . – **C** . . . / . . . = Flange type CF-F, metric thread

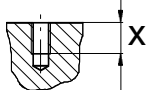
| Valve | | | Maximum screw-in depth «X» in mm | | | | |
|-----------|------|-----|--|----------|-----------|------------|----------|
| | | |  | | | | |
| Nom. I.D. | | | Flange types | | | | |
| mm | inch | | C | U | P | J | T |
| 63 | 2½ | X = | 13 | 13 | 13 | 13 | 15 |
| 100 | 4 | X = | 13 | 13 | 13 | 13 | 15 |
| 160 | 6 | X = | 13 | 13 | 13 | 13 | 15 |
| 200 | 8 | X = | 13 | 13 | 15 | 15 | 19 |
| | | | C = CF-F, metric thread | | P = ISO-F | T = ASA-LP | |
| | | | U = CF-F, UNF thread | | J = JIS | | |

Table 4-1

2. Remove protective covers from body flanges.
3. Clean sealing surfaces and seals of both flanges; see (1) and (2) according to «Figure 4-1» on page 10.



The valve seat side is marked with the symbol «∇» on flange «A».

4. Put valve to the mounting position.
5. Mount the four screws (3) according to «Figure 4-1» on page 10, evenly in crosswise order until the seal touches the sealing surface.

- Tighten all screws with the torques appropriate for their property classes.

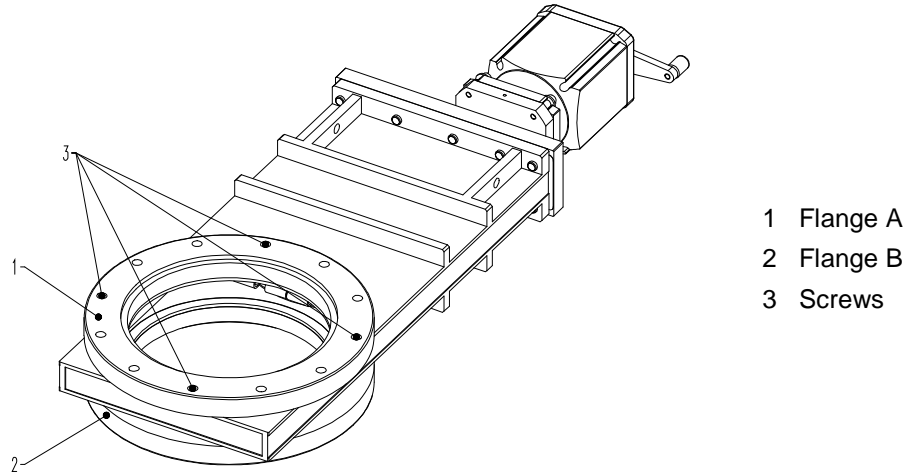


Figure 4-1

4.2.1 Admissible forces and bending moments




Forces from evacuating the system, from the weight of other components or from baking can lead to deformation of the valve body and to malfunction of the valve. The stress has to be relieved by suitable means, e.g. bellows sections.


The following forces or moments are admissible:

| DN (nom. I.D.) | | Axial tensile or compressive force «FA» | | Bending moment «M» | |
|---|------|---|-----|--------------------|----------|
| mm | inch | N | lbf | Nm | lbf · ft |
| 63 | 2½ | 2000 | 448 | 80 | 59 |
| 100 | 4 | 2500 | 560 | 100 | 74 |
| 160 | 6 | 3000 | 672 | 150 | 110 |
| 200 | 8 | 3000 | 672 | 150 | 110 |
| If a combination of both forces («FA» and «M») occurs, the values mentioned above are invalid. Please contact VAT for more information. | | | | | |

Table 4-2

4.3 Electrical connection

| | |
|---|---|
|  | ⚠ DANGER |
| | Electric shock Parts being under voltage will result in serious injury or death. Do not touch parts being under voltage. |

| | |
|---|--|
|  | NOTICE |
| | Wrong voltage Electrical components may get damaged. Supply electrical components with the correct voltage. |

1. Connect position indicator according to the product data sheet and dimensional drawing (only valid for valve codes 108...08).
2. Connect heater (option) according to the product data sheet and dimensional drawing.

5 Operation

| | |
|--|---|
| | WARNING |
| | <p>Unqualified personnel Inappropriate handling may cause serious injury or property damage. Only qualified personnel are allowed to carry out the described work.</p> |

| | |
|--|---|
| | WARNING |
| | <p>Movable parts Human body parts may get jammed and severely injured. Do not operate before product is installed completely into the vacuum system.</p> |

5.1 Normal operation

Valve is opened and closed manually.

5.2 Operation under increased temperature

Maximum allowed temperature, see product data sheet.
Note: After bake-out check and re-torque the bonnet screws.


5.3 Trouble shooting


| Failure | Check | Action | See |
|--------------|--|---|--|
| Leak at gate | Gate seal all right? | Replace valve gate | «6.3 Replacement of valve gate / mechanism unit» |
| | Gate damaged or contaminated? | Replace valve gate | «6.3 Replacement of valve gate / mechanism unit» |
| Leak at body | Bonnet seal and sealing surface all right? | Clean sealing surface – if necessary, replace bonnet seal | «6.3 Replacement of valve gate / mechanism unit», steps 1 to 5 |
| | Bellows all right? | Contact VAT | www.vatvalve.com |

Table 5-1

If you need any further information, please contact one of our service centers. You will find the addresses on our website www.vatvalve.com.

6 Maintenance

| | |
|---|--|
|  | ⚠ WARNING |
| | Unqualified personnel Inappropriate handling may cause serious injury or property damage. Only qualified personnel are allowed to carry out the described work. |

| | |
|---|---|
|  | ⚠ WARNING |
| | Movable parts Human body parts may get jammed and severely injured. Keep human body parts away from movable parts. |

6.1 Maintenance intervals




Under clean operating conditions the valve does not require any maintenance during 50 000 cycles. After 50 000 cycles, VAT recommends replacing the mechanism unit; see chapter «6.3 Replacement of valve gate / mechanism unit».

For more information or a general overhaul please contact one of our service centers. You will find the addresses on our website www.vatvalve.com.

6.2 Required tools

- Tool Ø6 – Ø10 mm
- Torque wrench 20 Nm / 45 Nm
- Cleanroom wiper soaked with alcohol (2% methyl ethyl ketone)

6.3 Replacement of valve gate / mechanism unit

| | |
|---|--|
|  | <p style="text-align: center;">⚠ WARNING</p> <p>Loaded spring steel sheet Human body parts may get jammed and severely injured. Do not put human body parts between valve gate and spring steel sheet.</p> |
|  | <p style="text-align: center;">NOTICE</p> <p>Contamination Product may get contaminated. Always wear cleanroom gloves when handling the product.</p> |
|  | <p style="text-align: center;">NOTICE</p> <p>Inappropriate tools Sealing surfaces may get damaged. Do not use sharp-edged tools.</p> |

1. Vent chambers on either side to atmospheric pressure.
2. Open the valve.
3. Disconnect cable from the position indicator (only valid for valve codes 108...08).
4. Remove screws (1) according to «Figure 6-1» on page 15.
5. Withdraw actuator / mechanism unit carefully from body without touching the body wall; see «Figure 6-1» on page 15.
6. Remove locking ring (5) according to «Figure 6-2» on page 15.
7. Withdraw bolt (4) by pulling it downwards according to «Figure 6-2» on page 15.

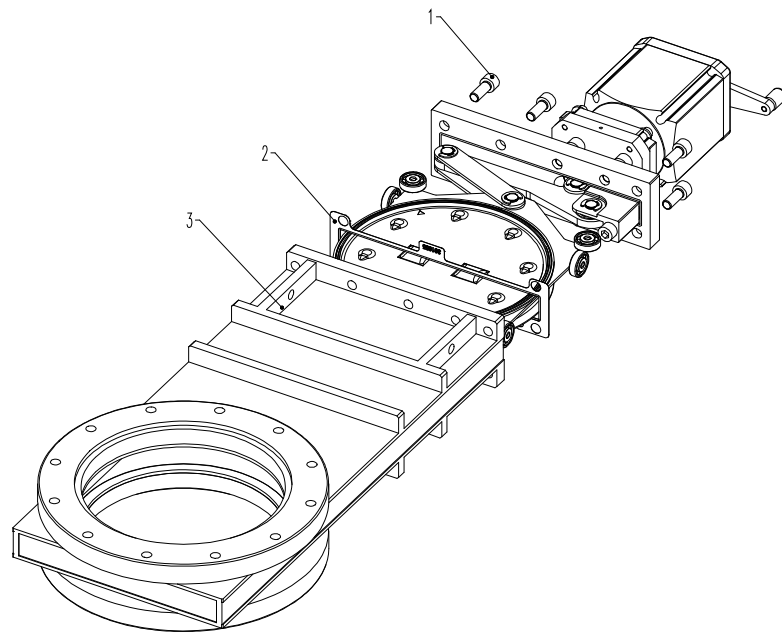


Figure 6-1

- 1 Screw
- 2 Bonnet seal
- 3 Valve body

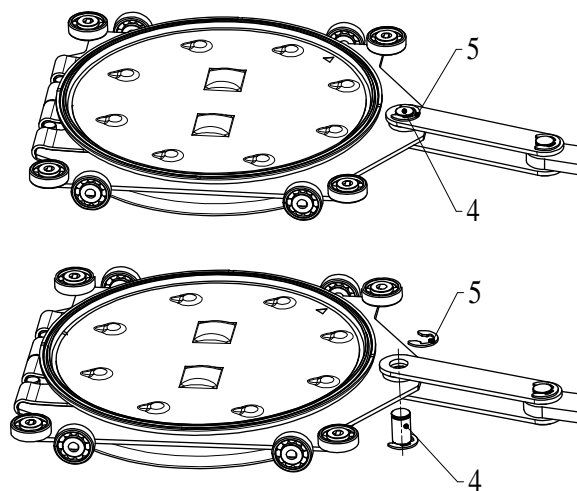


Figure 6-2

- 4 Bolt
- 5 Locking ring

8. Put valve gate and ball guidance to the horizontal position so that the locking balls cannot escape.



For dismounting and mounting the valve gate always use tool (1) according to «Figure 6-3». The tool may be ordered from VAT.
For details see chapter «11 Spare parts».

9. Lift valve gate (2) by hand and insert tool (1) between valve gate (2) and ball guidance (3); see «Figure 6-3» and «Figure 6-4» on page 17.
10. Remove valve gate in direction of the arrow; see «Figure 6-3» on page 16.

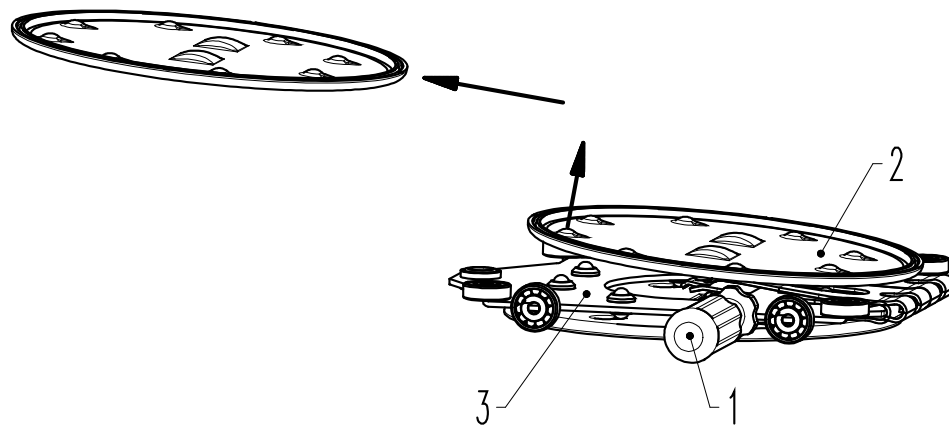


Figure 6-3

- 1 Tool; see chapter «11 Spare parts»
- 2 Valve gate
- 3 Ball guidance

11. Insert new valve gate in reverse order.



The markings Δ and ∇ (2) according to «Figure 6-4» on page 17 on ball guidance and valve gate must face each other.

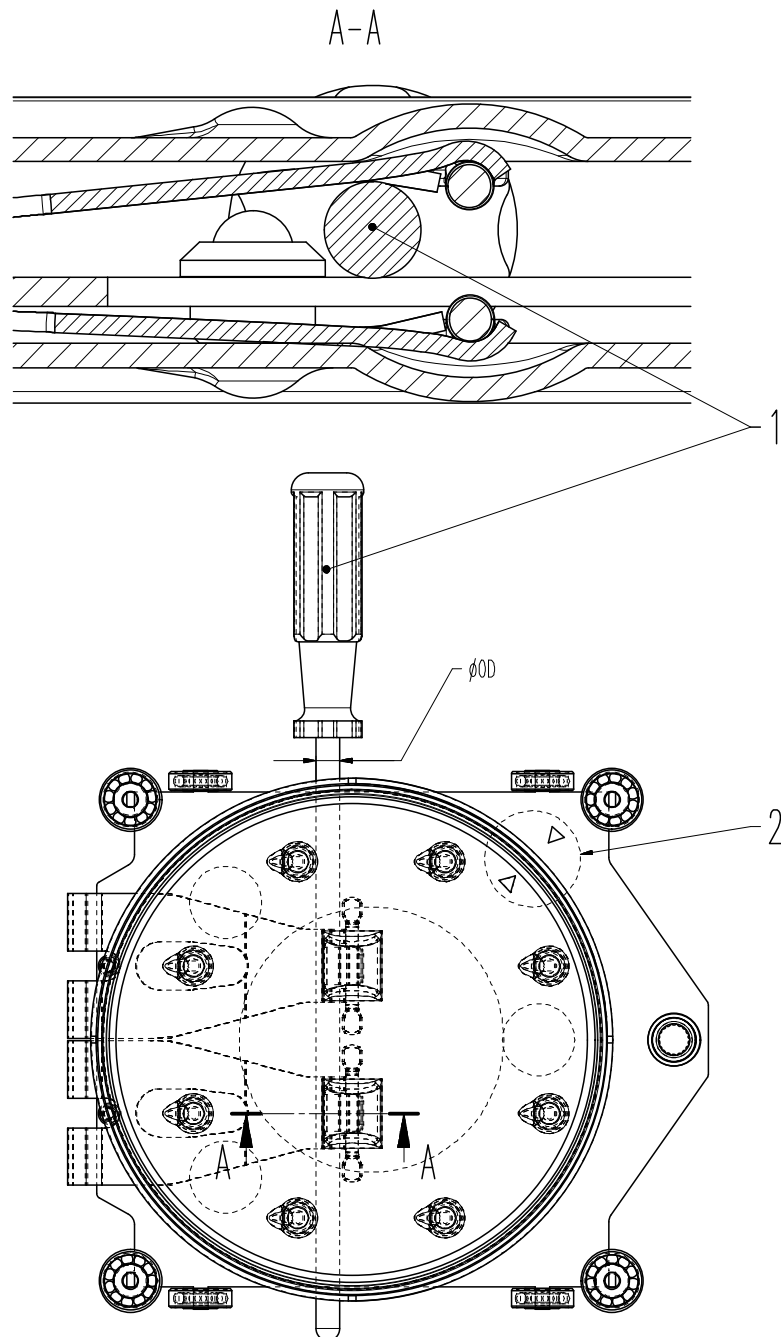


Figure 6-4

- 1 Tool; see chapter «11 Spare parts»
- 2 Markings

12. Withdraw tool according to «Figure 6-3» on page 16.
13. Mount bolt (4) according to «Figure 6-2» on page 15.
14. Mount locking ring (5) according to «Figure 6-2» on page 15.
15. Clean sealing surface of bonnet flange, use cleanroom wiper.
16. Replace bonnet seal.
17. Insert actuator / mechanism unit into body without touching the body wall.
18. Mount screws (1) according to «Figure 6-1» on page 15.



Tighten screws in crosswise order with the following torques:
DN 63 – 160 20 Nm / 15 lbf·ft
DN 200 45 Nm / 33.5 lbf·ft

19. Connect cable from the position indicator (only for valve codes 108...08)

Valve is ready for use.





7 Repairs


Repairs may only be carried out by the VAT service staff. In exceptional cases, the customer is allowed to carry out the repairs, but only with the prior consent of VAT.

Please contact one of our service centers. You will find the addresses on our website www.vatvalve.com.


8 Dismounting and Storage

| | |
|---|--|
|  | ⚠ WARNING |
| | Unqualified personnel Inappropriate handling may cause serious injury or property damage. Only qualified personnel are allowed to carry out the described work. |

| | |
|---|---|
|  | ⚠ WARNING |
| | Movable parts Human body parts may get jammed and severely injured. Keep human body parts away from movable parts. |


| | |
|---|--|
|  | NOTICE |
| | Contamination Product may get contaminated. Always wear cleanroom gloves when handling the product. |


8.1 Dismounting

| | |
|---|---|
|  | NOTICE |
| | Valve in open position Valve mechanism may get damaged if valve is in open position. Close valve before dismounting the valve from the system. |

1. Close valve.
2. Carry out the steps according to chapter «4 Installation» in reverse order.
Pay attention to the safety instructions!

8.2 Storage

| NOTICE | |
|---|--|
|  | <p>Wrong storage</p> <p>Inappropriate temperatures and humidity may cause damage to the product.</p> <p>Valve must be stored at:</p> <ul style="list-style-type: none">– relative humidity between 10% and 70%– temperature between +10 °C and +50 °C– non-condensing environment |

| NOTICE | |
|---|---|
|  | <p>Inappropriate packaging</p> <p>Product may get damaged if inappropriate packaging material is used.</p> <p>Always use the original packaging material and handle product with care.</p> |

1. Clean / decontaminate valve.
2. Cover all valve openings with a protective foil.
3. Pack valve appropriately by using the original packaging material.

9 Packaging and Transport

| | |
|--|---|
| | ⚠ WARNING |
| | <p>Unqualified personnel Inappropriate handling may cause serious injury or property damage. Only qualified personnel are allowed to carry out the described work.</p> |


| | |
|--|---|
| | ⚠ WARNING |
| | <p>Harmful substances Risk of injury in case of contact with harmful substances. Remove harmful substances (e. g. toxic, caustic or microbiological ones) from valve before you return the valve to VAT.</p> |

| | |
|--|---|
| | NOTICE |
| | <p>Inappropriate packaging Product may get damaged if inappropriate packaging material is used. Always use the original packaging material and handle product with care.</p> |



- When returning products to VAT, please fill out the VAT form «Declaration of Chemical Contamination» and send it to VAT in advance. The form can be downloaded from our website www.vatvalve.com.
- If products are radioactively contaminated, the VAT form «Contamination and Radiation Report» must be filled out. Please contact VAT in advance.
- If products are sent to VAT in contaminated condition, VAT will carry out the decontamination procedure at the customer's expense.

9.1 Packaging

| NOTICE | |
|---|--|
|  | <p>Valve in open position Valve mechanism may get damaged if valve is in open position. Make sure that the valve is closed.</p> |

1. Cover all valve openings with a protective foil.
2. Pack valve appropriately, by using the original packaging material.



VAT disclaims any liability for damages resulting from inappropriate packaging.


9.2 Transport

| NOTICE | |
|---|---|
|  | <p>Inappropriate packaging Product may get damaged if inappropriate packaging material is used. Always use the original packaging material and handle product with care.</p> |




VAT disclaims any liability for damages resulting from inappropriate packaging.

10 Disposal

| | | |
|---|--|--|
|  | ⚠ WARNING | |
| | Harmful substances | |
| | Environmental pollution. Discard products and parts according to the local regulations. | |

11 Spare parts

| | |
|--|--------|
|  | NOTICE |
| <p>Non-original spare parts Non-original spare parts may cause damage to the product. Use original spare parts from VAT only.</p> | |



- Please specify the fabrication number of the product when you place an order for spare parts; see chapter «1.1 Identification of product». This is to ensure that the appropriate spare parts are supplied.
- VAT makes a difference between spare parts that may be replaced by the customer and those that need to be replaced by the VAT service staff.
- «Table 11-1» only contains spare parts that may be replaced by the customer. If you need any other spare parts, please contact one of our service centers. You will find the addresses on our website www.vatvalve.com.

| Description | Part No. | Quantity per valve | Maintenance procedure see chapter |
|--|------------|--------------------|--|
| Bonnet seal (Item 2 as per «Figure 6-1», page 15) | On request | 1 | «6.3 Replacement of valve gate / mechanism unit» |
| Gate with vulcanized seal | On request | 1 | «6.3 Replacement of valve gate / mechanism unit» |
| Mechanism, completely | On request | 1 | «6.3 Replacement of valve gate / mechanism unit» |
| Tool Ø6 mm | 434168 | 1 | «6.3 Replacement of valve gate / mechanism unit» |
| Tool Ø8 mm | 434164 | 1 | «6.3 Replacement of valve gate / mechanism unit» |
| Tool Ø10 mm | 419421 | 1 | «6.3 Replacement of valve gate / mechanism unit» |
| | | | |
| | | | |
| | | | |

Table 11-1