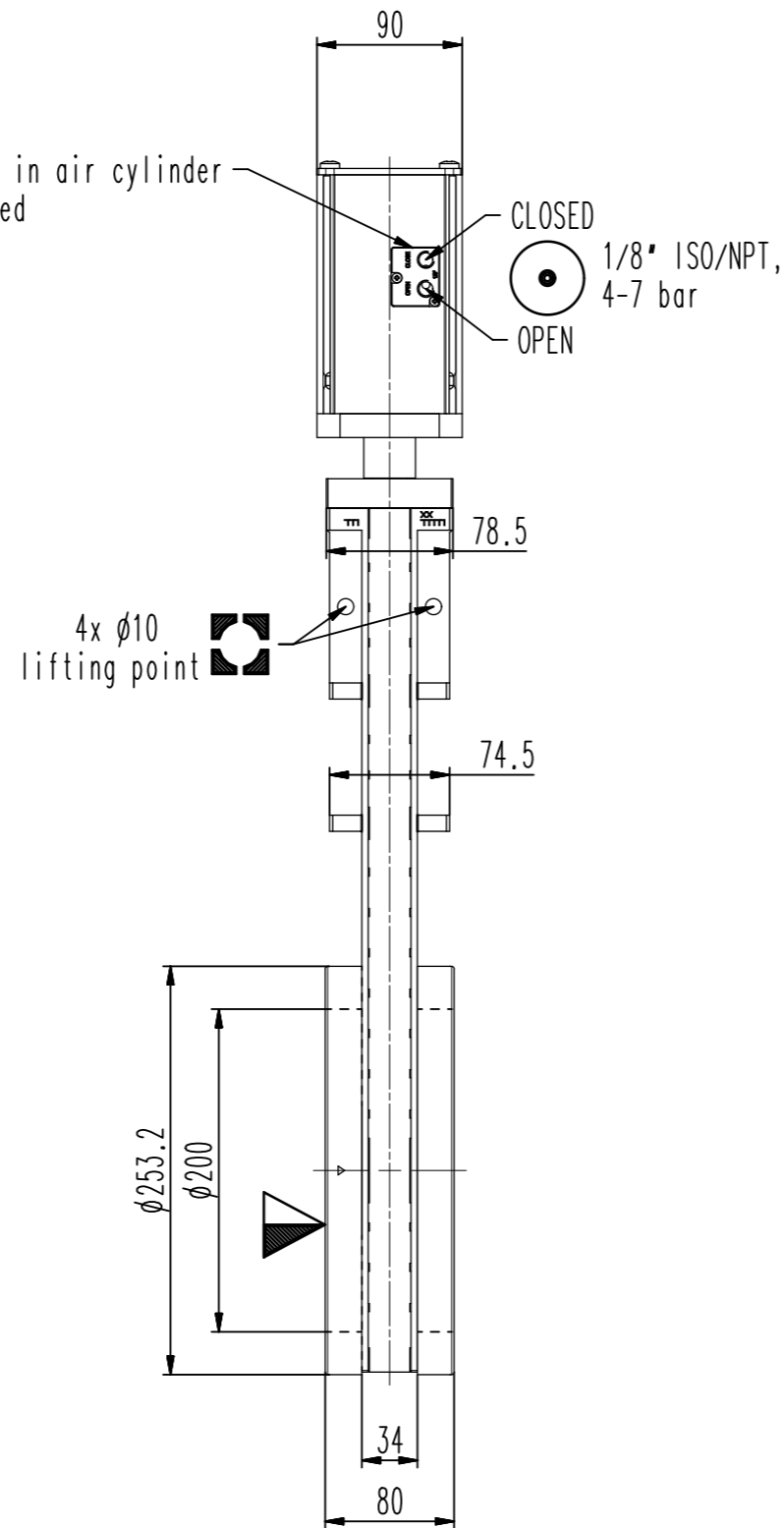
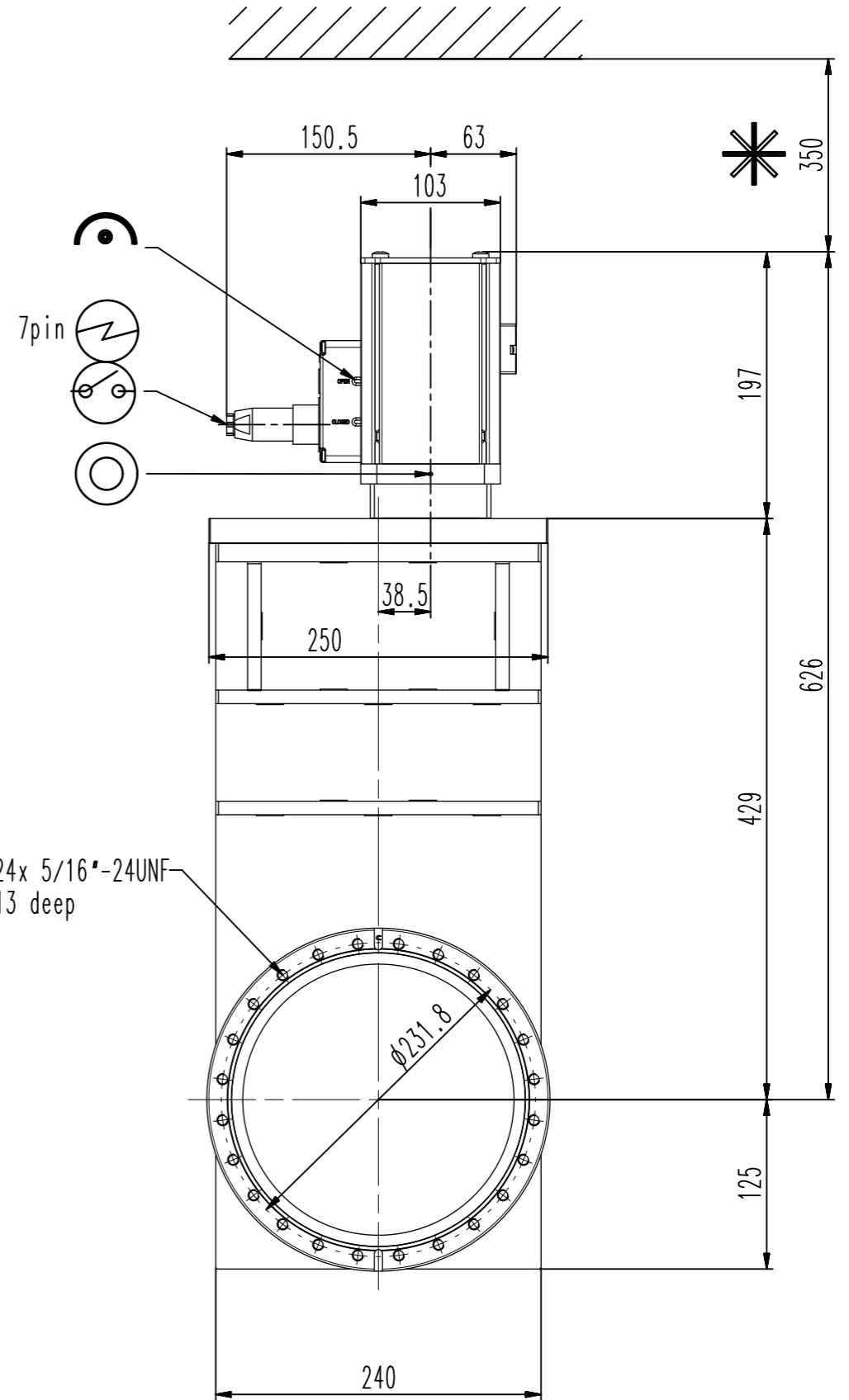


2xM5 (10-32 UNF suitable) in air cylinder if adapter plate is removed

4x  $\phi 10$  lifting point



24x 5/16"-24UNF  
13 deep



- Seat side
- Comp. air connection
- Electrical connection
- Leak detection port
- Mech. pos. indication
- Position indicator
- Required for dismantling
- Emergency actuation
- For attachment
- Bake-out area
- Differential pumping port

## UHV gate valve



VAT Vakuumventile AG

CH-9469 Haag, Switzerland  
Tel ++41 81 7716161 Fax ++41 81 7714830

Rev.-Date: 20.06.17

Visa: WAG

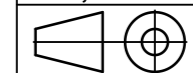
Series

108

Ordering No.

10846-UE24-0007

Projection E



DN

200

Flange

CF-F UNF

Dimensional Drawing

899073

Rev.