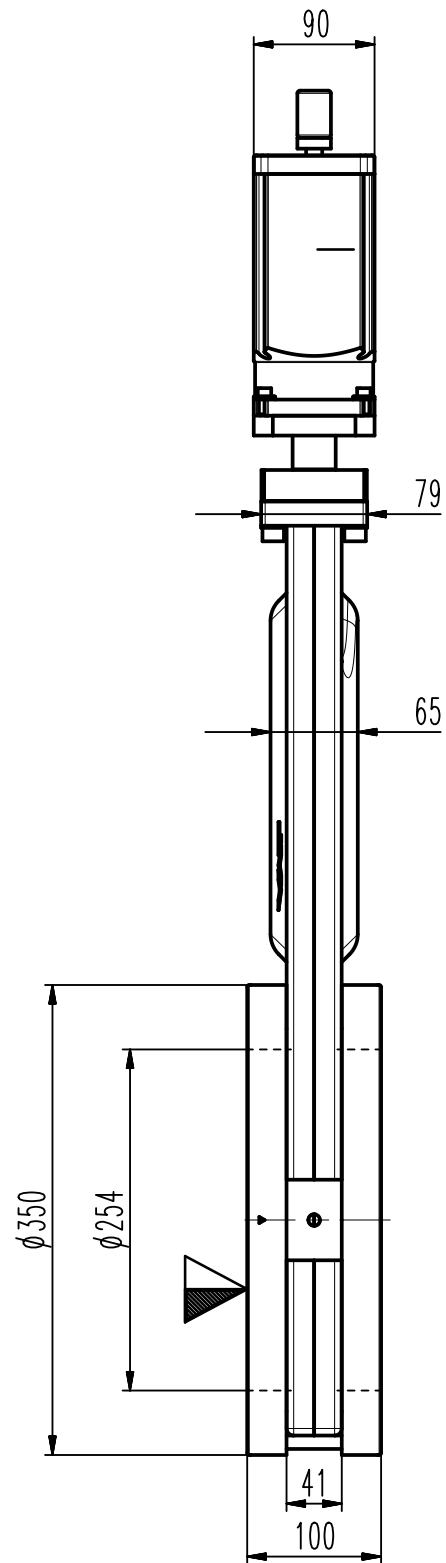
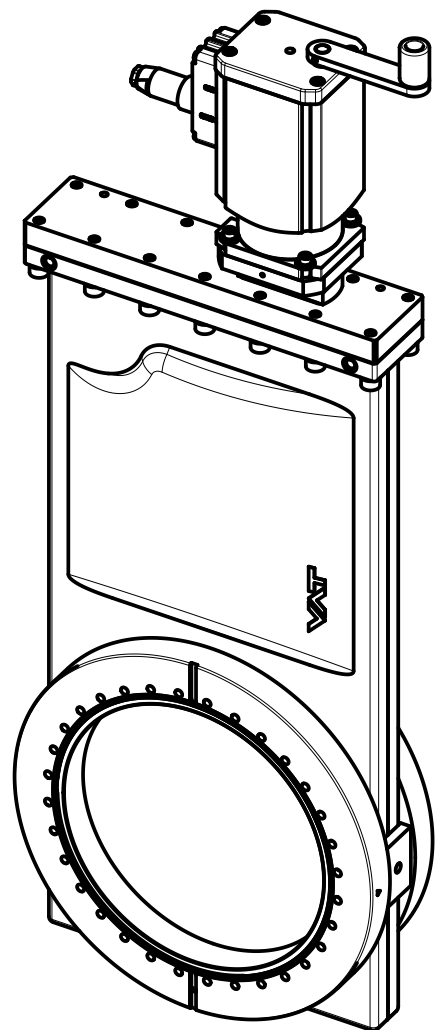
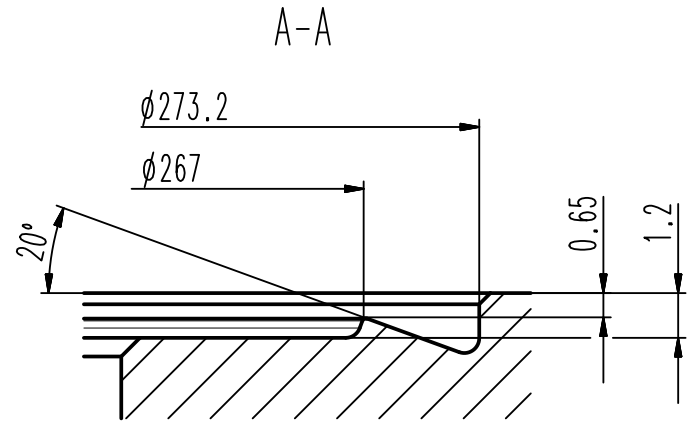


This drawing is the property of VAT.

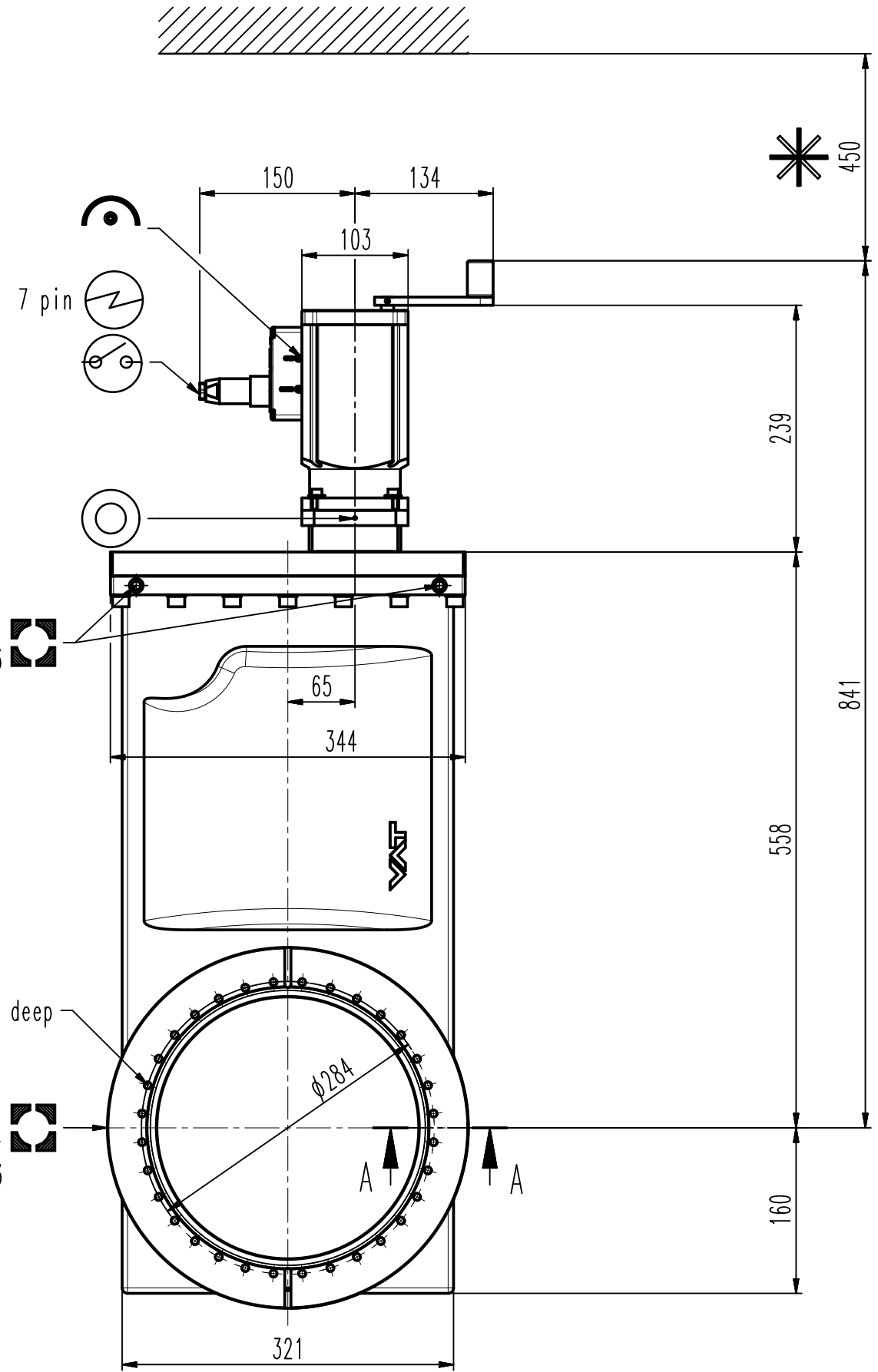
Revision

Customer number



Lifting eye bolt M10 (2x)  
DIN 580:2003

M10 - 10 deep (5x)  
Lifting point suitable for  
eye bolt DIN 580:2003



- ▼ Seat side
- ⊙ Comp. air connection
- ⊙ Electrical connection
- ⊙ Leak detection port
- ⊙ Mech. pos. indication
- ⊙ Position indicator
- ⊙ Required for dismantling
- ⊙ Emergency actuation
- ⊙ For attachment
- ⊙ Bake-out area
- ⊙ Differential pumping port

UHV gate valve



VAT Vakuumventile AG  
CH-9469 Haag, Switzerland  
Tel ++41 81 7716161 Fax ++41 81 7714830

Rev.-Date: 30.06.11  
Visa: PEM

Series	108	Ordering No.	10848-CE08-0008
Projection E	DN	Flange	
	250	CF-F m	
Dimensional Drawing	497815	Rev.	