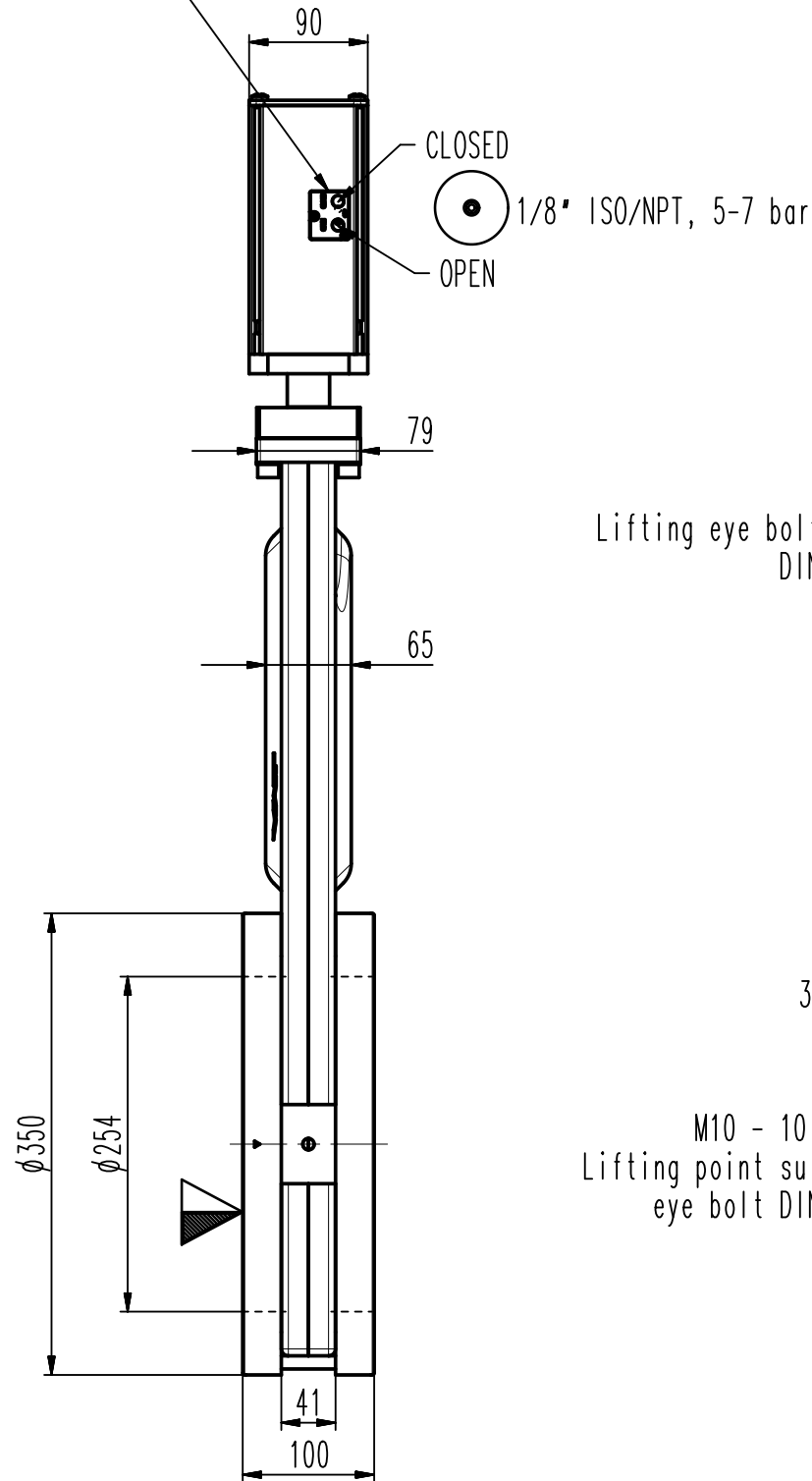
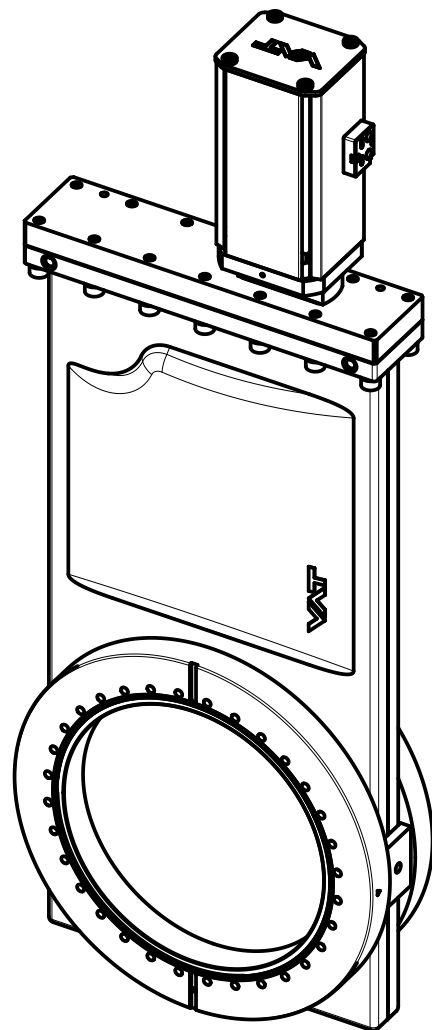
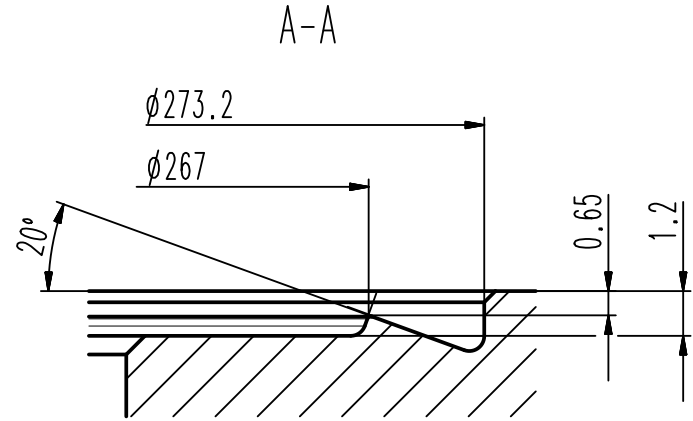


This drawing is the property of VAT.

Revision

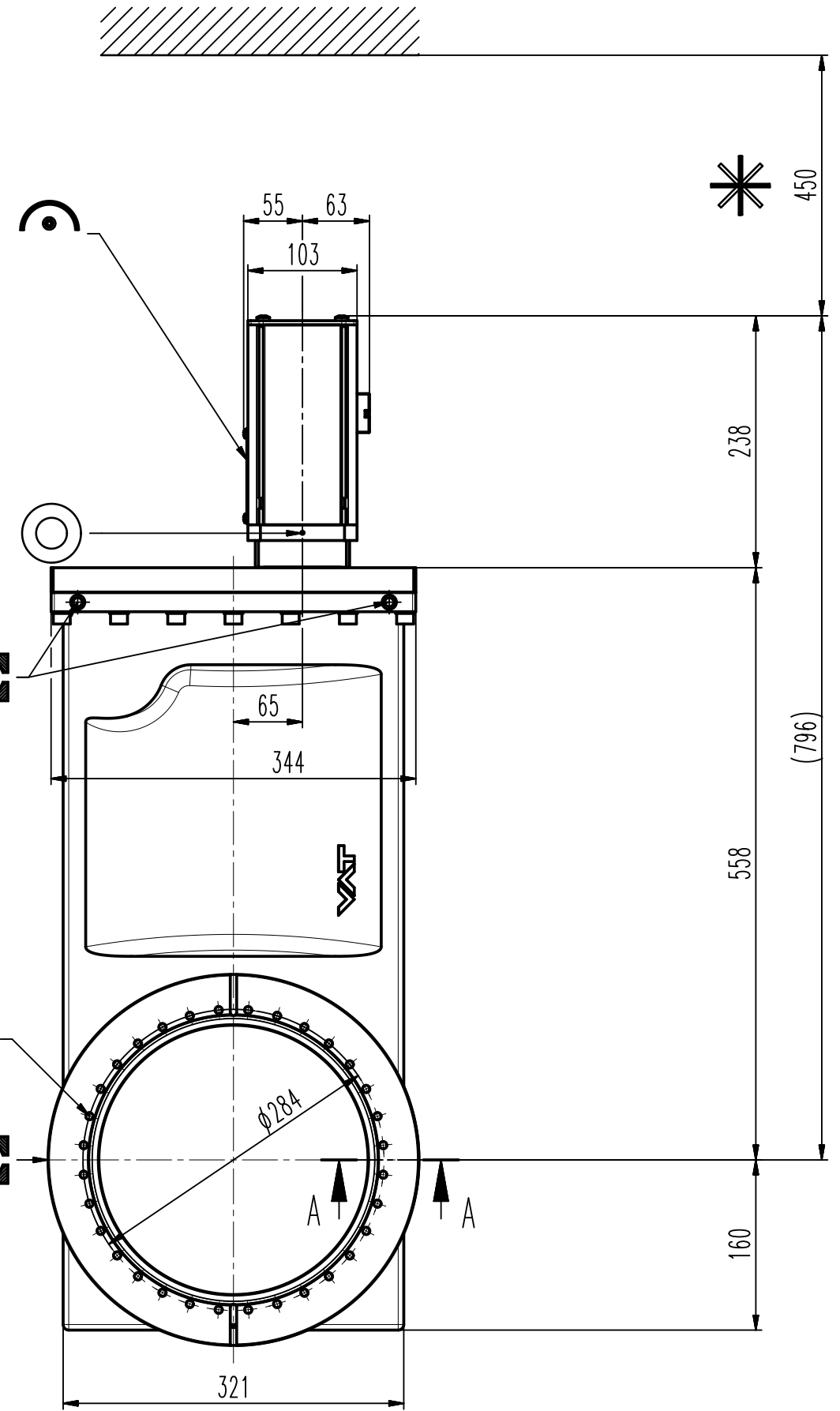
Customer number

2xM5 (10-32 UNF suitable) in air cylinder
if adapter plate is removed



Lifting eye bolt M10 (2x)
DIN 580:2003

M10 - 10 deep (5x)
Lifting point suitable for
eye bolt DIN 580:2003



- ▼ Seat side
- ⊙ Comp. air connection
- ⊙ Electrical connection
- ⊙ Leak detection port
- ⊙ Mech. pos. indication
- ⊙ Position indicator
- ⊙ Required for dismantling
- ⊙ Emergency actuation
- ⊙ For attachment
- ⊙ Bake-out area
- ⊙ Differential pumping port

UHV gate valve



VAT Vakuumventile AG
CH-9469 Haag, Switzerland
Tel ++41 81 7716161 Fax ++41 81 7714830

Rev.-Date: 28.06.11
Visa: PEM

Series	108	Ordering No.	10848-CE14-0007
Projection E	DN	Flange	
	250	CF-F m	
Dimensional Drawing	207919	Rev.	A