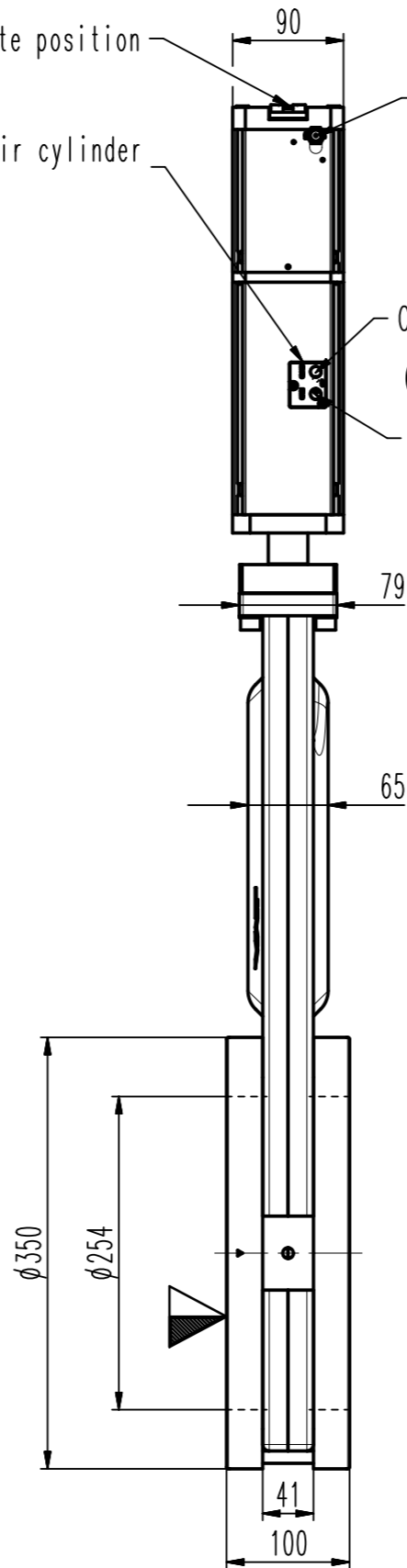


adjusting screw for intermediate position  
 2xM5 (10-32 UNF suitable) in air cylinder  
 if adapter plate is removed



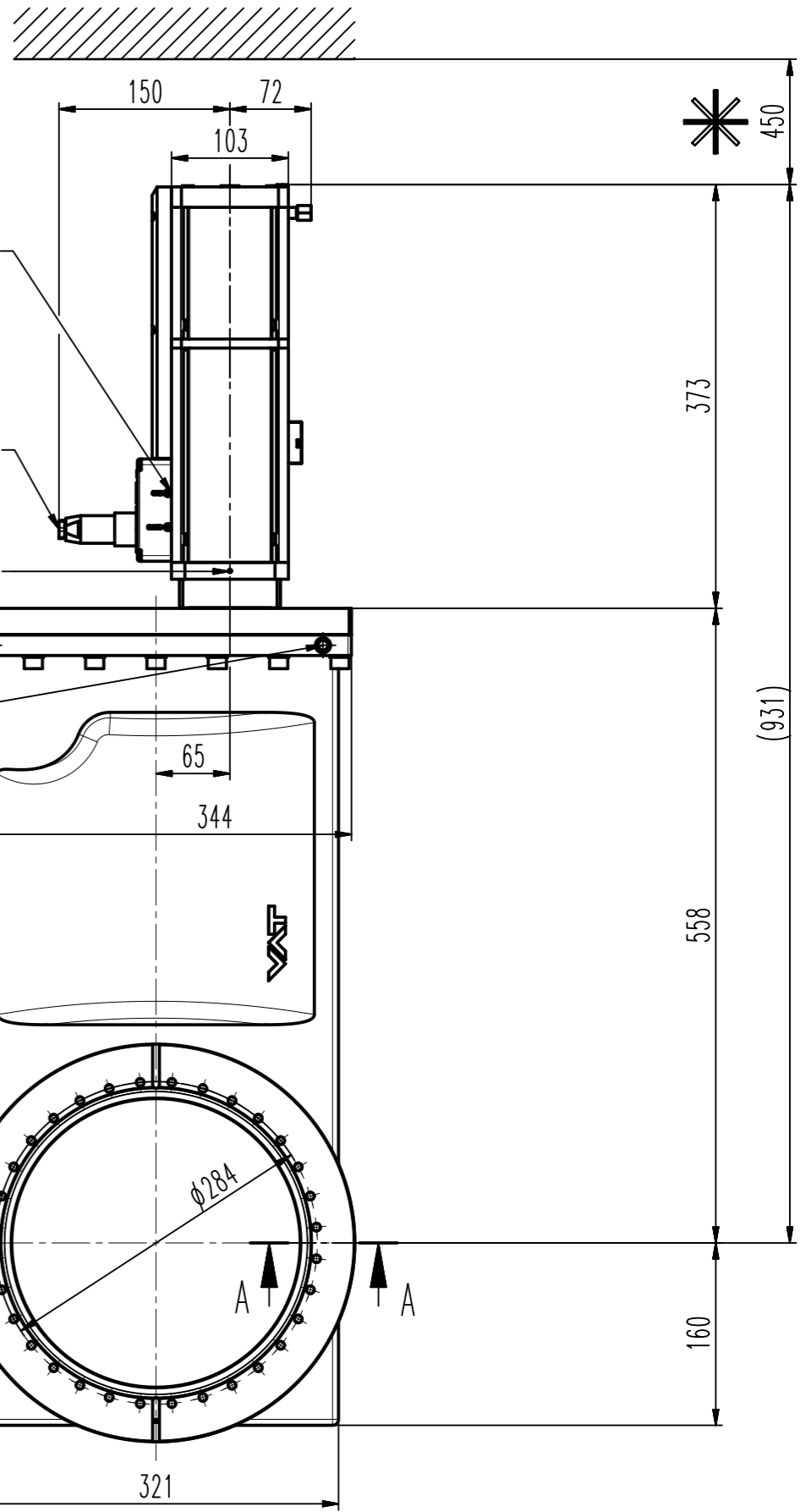
MID 1/8" ISO/NPT, 5-7 bar

CLOSED  
 OPEN  
 1/8" ISO/NPT, 5-7 bar

Lifting eye bolt M10 (2x)  
 DIN 580:2003

M10 - 10 deep (5x)  
 Lifting point suitable for  
 eye bolt DIN 580:2003

7 pin  
 3 position



- ▼ Seat side
- ⊙ Comp. air connection
- ⊕ Electrical connection
- ⊖ Leak detection port
- ⊗ Mech. pos. indication
- ⊘ Position indicator
- ⊙\* Required for dismantling
- ⊙\* Emergency actuation
- ⊙\* For attachment
- ⊙\* Bake-out area
- ⊙\* Differential pumping port

UHV gate valve



VAT Vakuumventile AG  
 CH-9469 Haag, Switzerland  
 Tel ++41 81 7716161 Fax ++41 81 7714830

Rev.-Date: 30.06.11  
 Visa: PEM

Series	108	Ordering No.	10848-CE28-0007
Projection E	DN	Flange	
	250	CF-F m	
Dimensional Drawing	497802	Rev.	