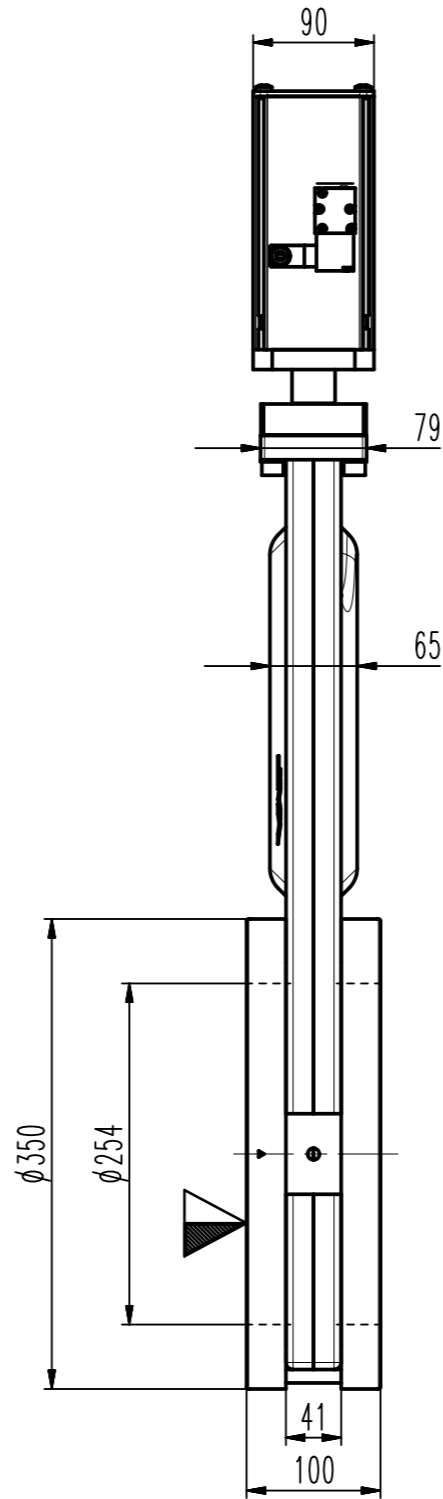
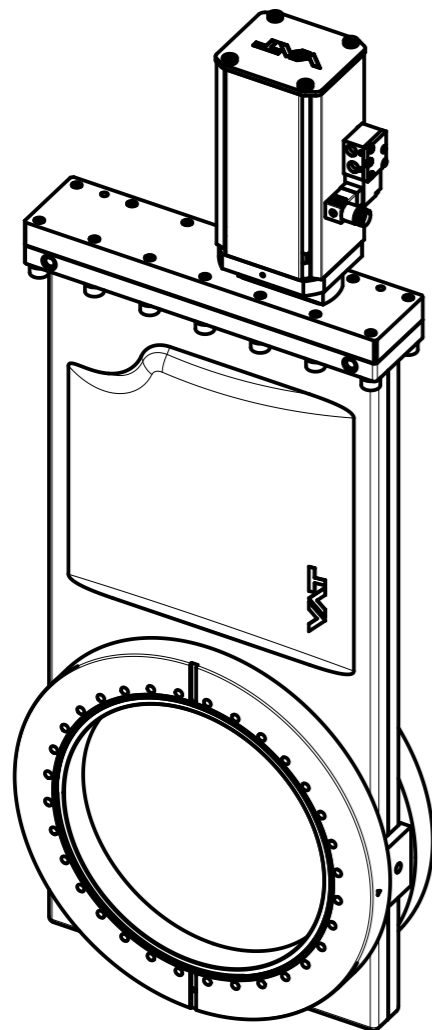
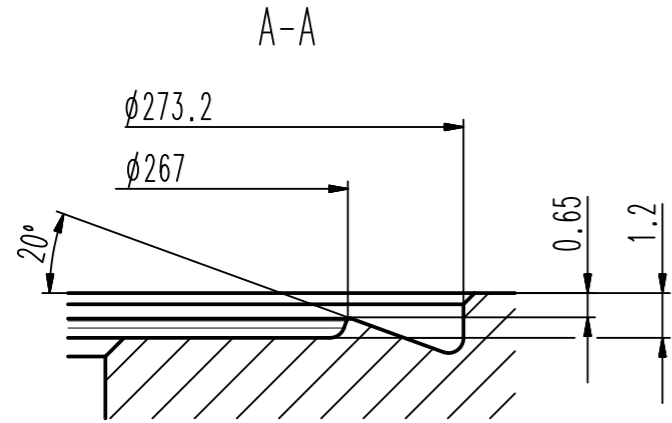


This drawing is the property of VAT.

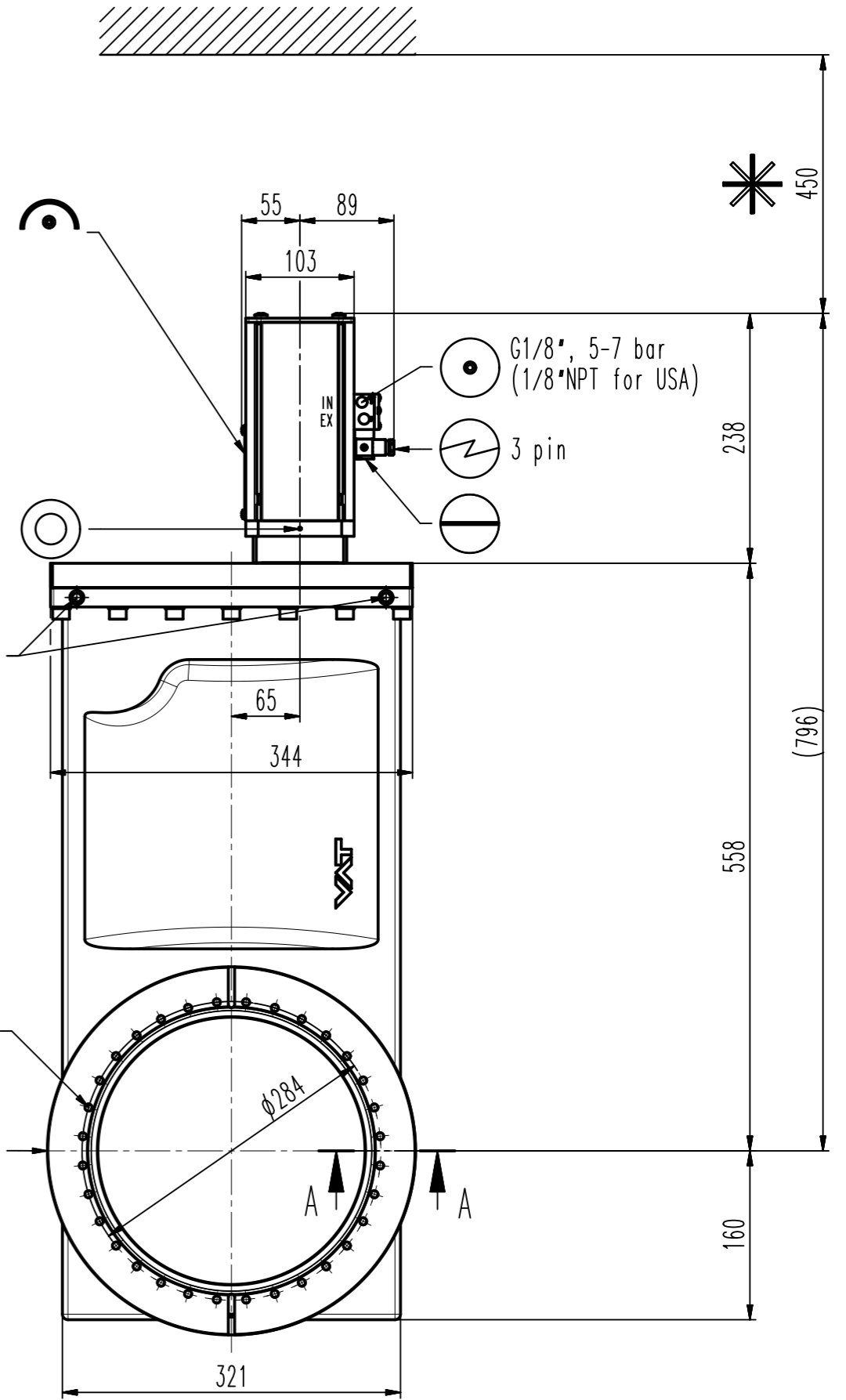
Revision

Customer number



Lifting eye bolt M10 (2x)
DIN 580:2003

M10 - 10 deep (5x)
Lifting point suitable for
eye bolt DIN 580:2003



- ▼ Seat side
- ⊙ Comp. air connection
- ⊕ Electrical connection
- ⊖ Leak detection port
- ⊗ Mech. pos. indication
- ⊘ Position indicator
- ⊙* Required for dismantling
- ⊙⊕ Emergency actuation
- ⊙⊖ For attachment
- ⊙⊗ Bake-out area
- ⊙⊘ Differential pumping port

UHV gate valve



VAT Vakuumventile AG
CH-9469 Haag, Switzerland
Tel ++41 81 7716161 Fax ++41 81 7714830

Rev.-Date: 29.06.11
Visa: PEM

Series	108	Ordering No.	10848-CE34-0007
Projection E	DN	Flange	
	250	CF-F m	
Dimensional Drawing	237988	Rev.	A