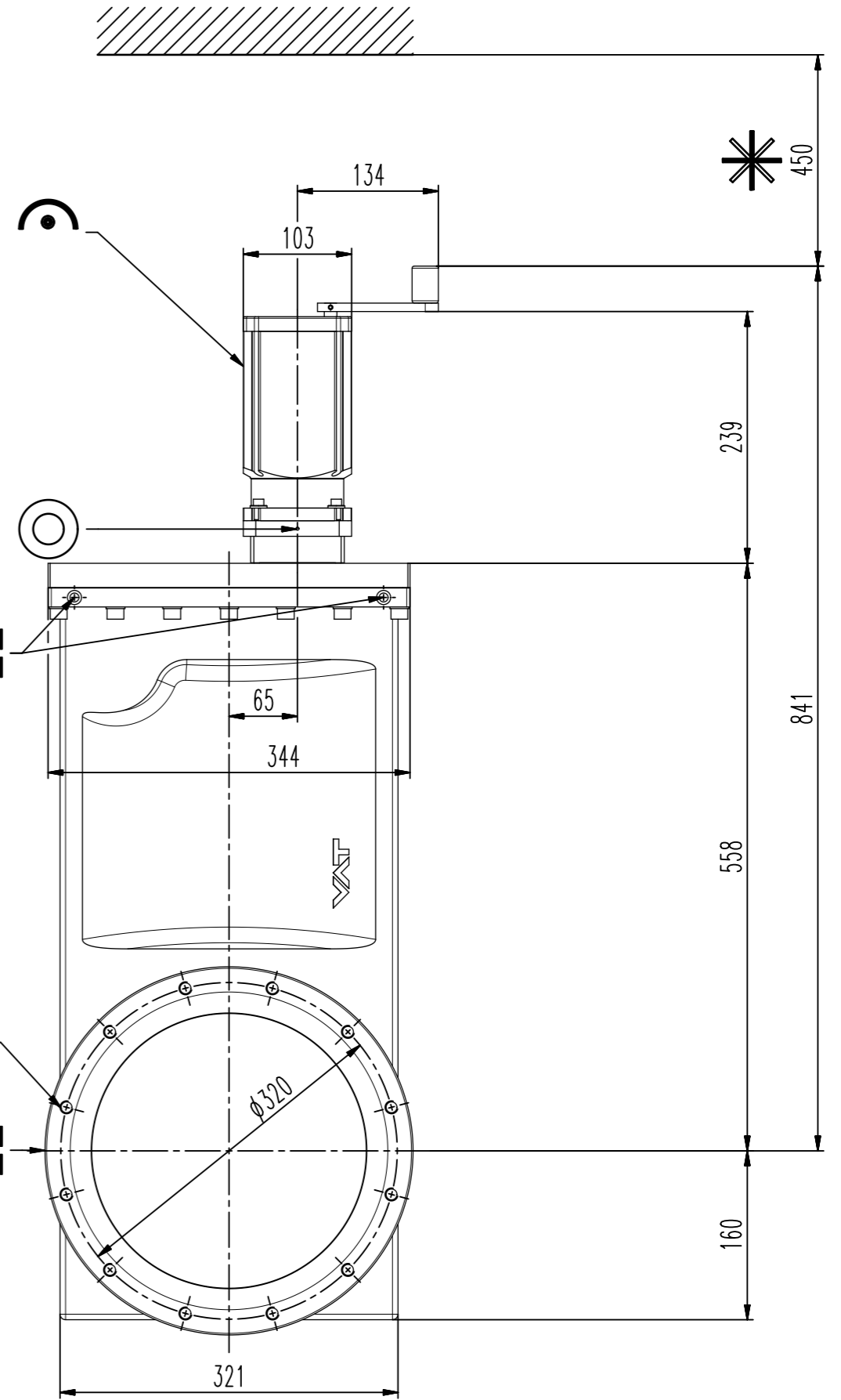


Lifting eye bolt M10 (2x)
DIN 580:2003

12xM12, 16 deep

M10 - 10 deep (5x)
Lifting point suitable for
eye bolt DIN 580:2003



- ▼ Seat side
- ⊙ Comp. air connection
- ⊙ Electrical connection
- ⊙ Leak detection port
- ⊙ Mech. pos. indication
- ⊙ Position indicator
- ⊙ Required for dismantling
- ⊙ Emergency actuation
- ⊙ For attachment
- ⊙ Bake-out area
- ⊙ Differential pumping port

UHV gate valve



VAT Vakuumventile AG
CH-9469 Haag, Switzerland
Tel ++41 81 7716161 Fax ++41 81 7714830

Rev.-Date: 04.11.14
Visa: MRO

Series	108	Ordering No.	10848-JE01-0008
Projection E	DN	Flange	JIS
	250		
Dimensional Drawing	775161	Rev.	