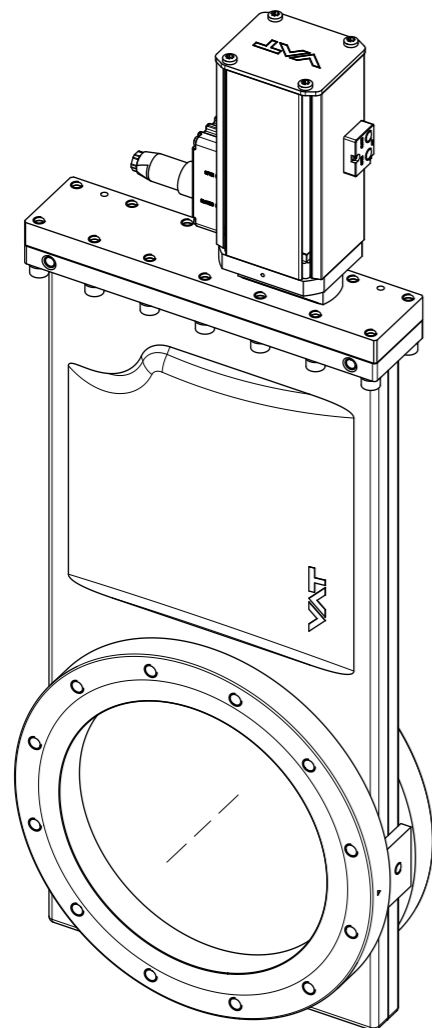


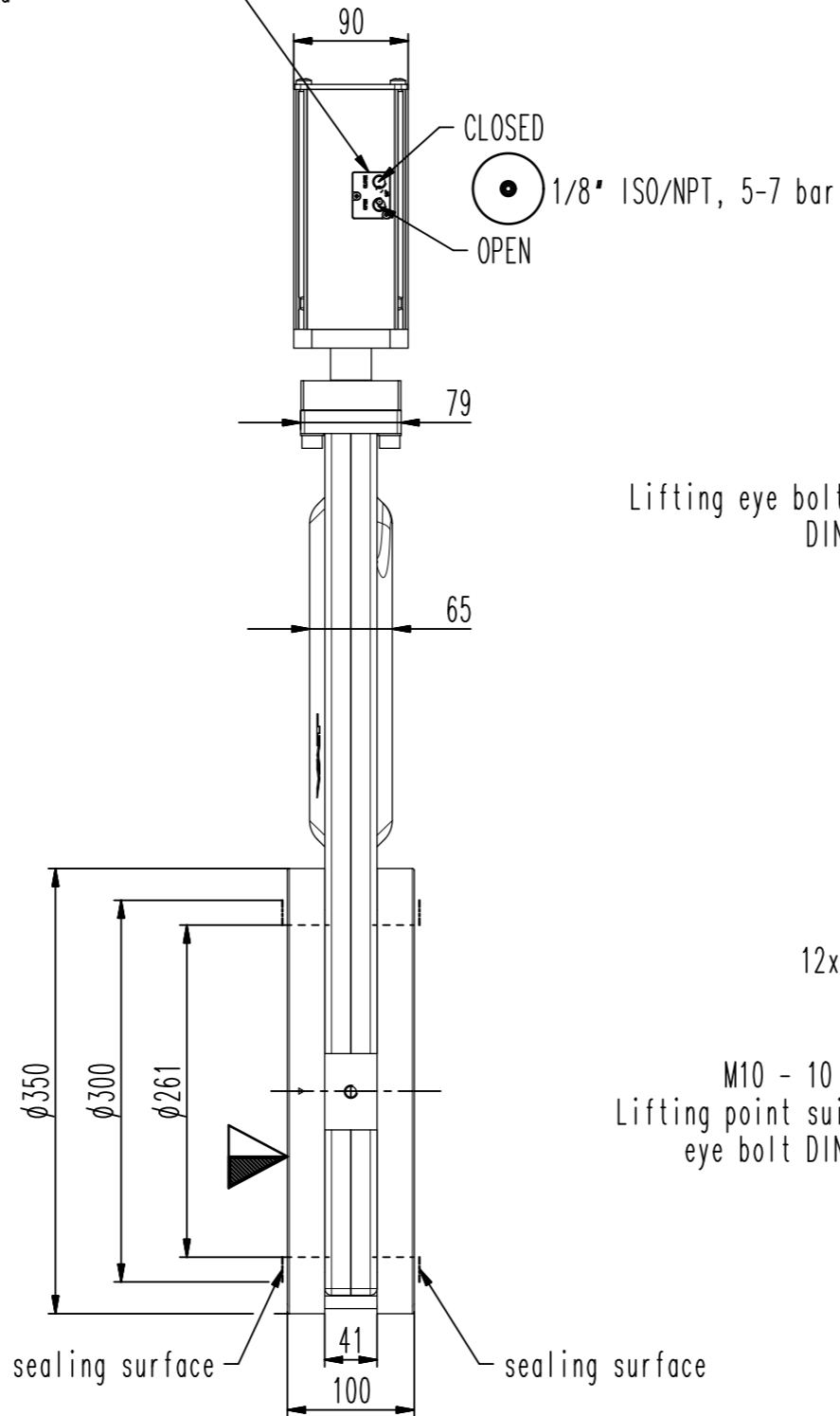
This drawing is the property of VAT.

Revision

Customer number

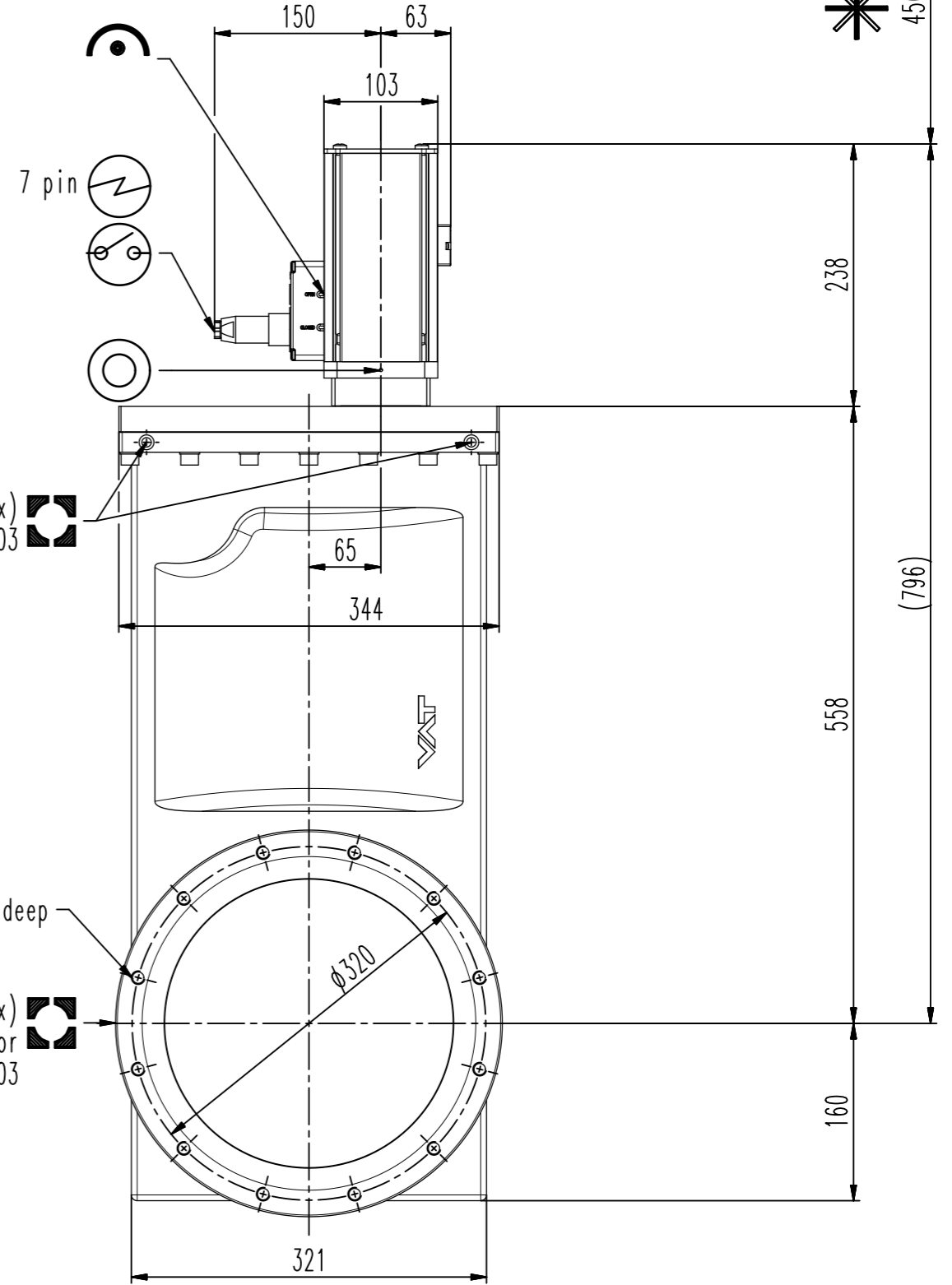


2xM5 (10-32 UNF suitable) in air cylinder  
if adapter plate is removed



Lifting eye bolt M10 (2x)  
DIN 580:2003

M10 - 10 deep (5x)  
Lifting point suitable for  
eye bolt DIN 580:2003



- ▼ Seat side
- ⊙ Comp. air connection
- ⊙ Electrical connection
- ⊙ Leak detection port
- ⊙ Mech. pos. indication
- ⊙ Position indicator
- ⊙ Required for dismantling
- ⊙ Emergency actuation
- ⊙ For attachment
- ⊙ Bake-out area
- ⊙ Differential pumping port

### UHV gate valve



VAT Vakuumventile AG

CH-9469 Haag, Switzerland  
Tel ++41 81 7716161 Fax ++41 81 7714830

Rev.-Date: 24.06.11

Visa: PEM

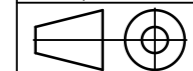
Series

108

Ordering No.

10848-JE24-0007

Projection E



DN

250

Flange

JIS

Dimensional  
Drawing

319877

Rev.

A

VAT/DA