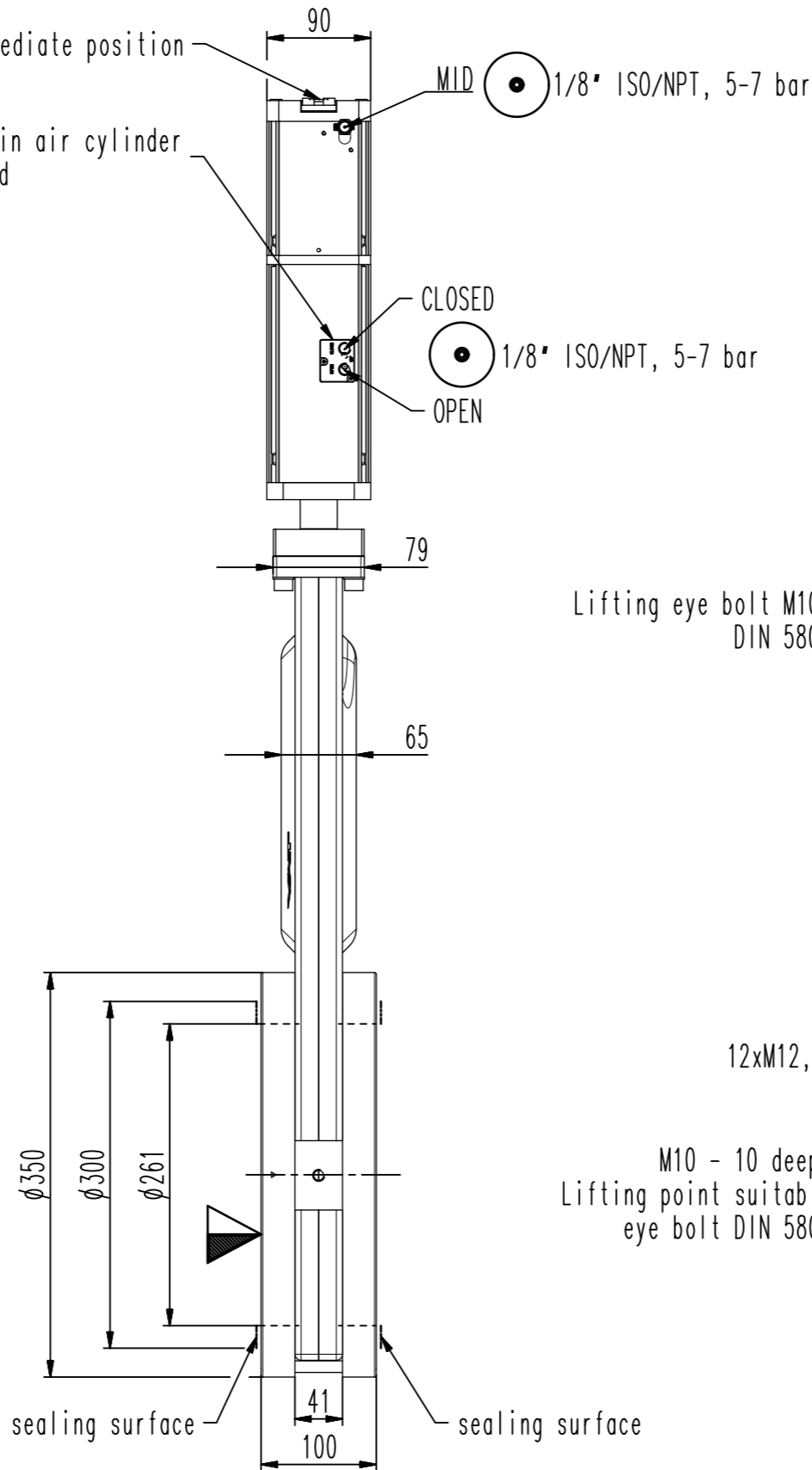


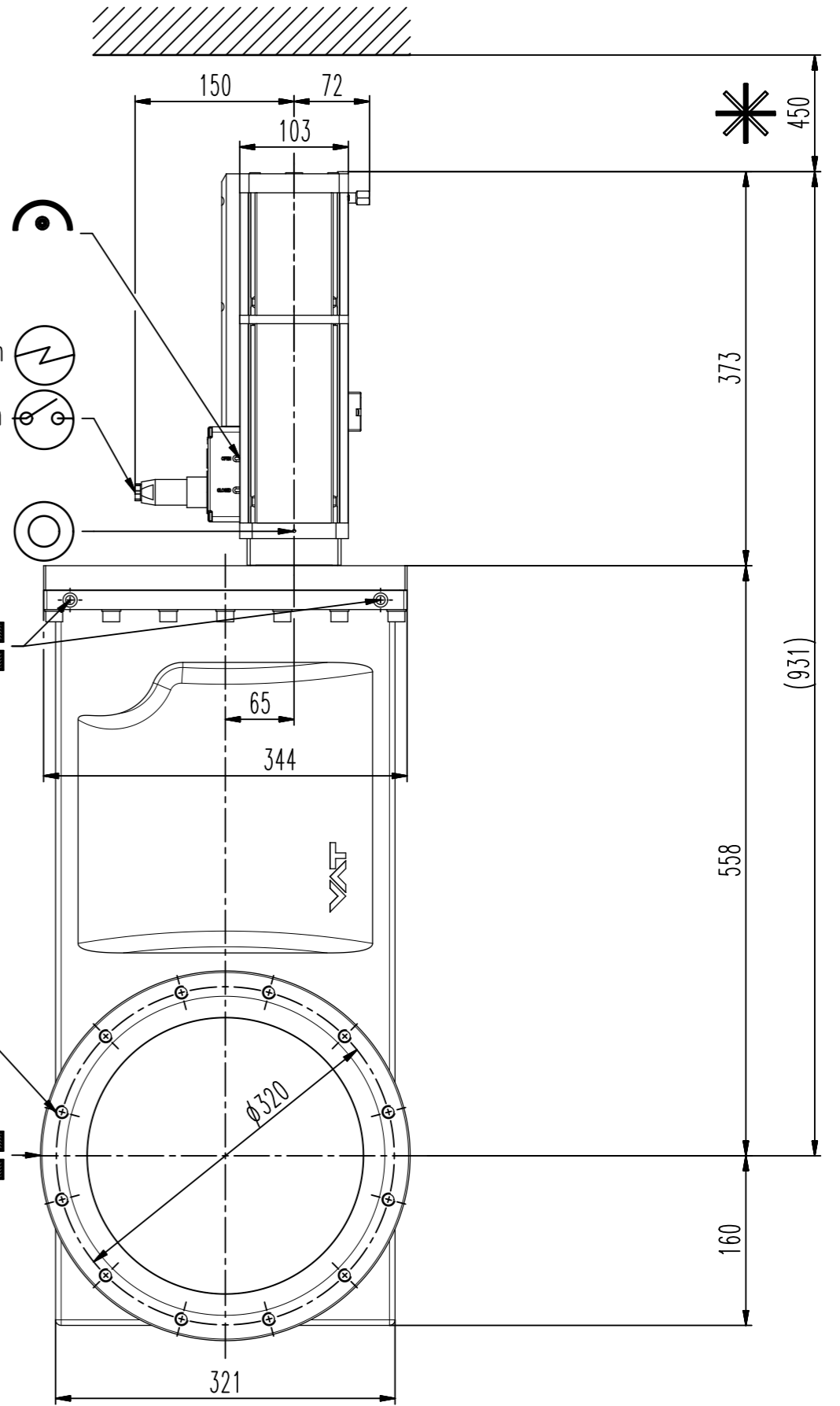
adjusting screw for intermediate position
 2xM5 (10-32 UNF suitable) in air cylinder
 if adapter plate is removed



7 pin
 3 position

Lifting eye bolt M10 (2x)
 DIN 580:2003

12xM12, 16 deep
 M10 - 10 deep (5x)
 Lifting point suitable for
 eye bolt DIN 580:2003



- ▼ Seat side
- ⊙ Comp. air connection
- ⊙ Electrical connection
- ⊙ Leak detection port
- ⊙ Mech. pos. indication
- ⊙ Position indicator
- ⊙ Required for dismantling
- ⊙ Emergency actuation
- ⊙ For attachment
- ⊙ Bake-out area
- ⊙ Differential pumping port

UHV gate valve



VAT Vakuumventile AG
 CH-9469 Haag, Switzerland
 Tel ++41 81 7716161 Fax ++41 81 7714830

Rev.-Date: 05.11.14
 Visa: MRO

Series	108	Ordering No.	10848-JE28-0007
Projection E	DN	Flange	JIS
	250		
Dimensional Drawing		775516	Rev.