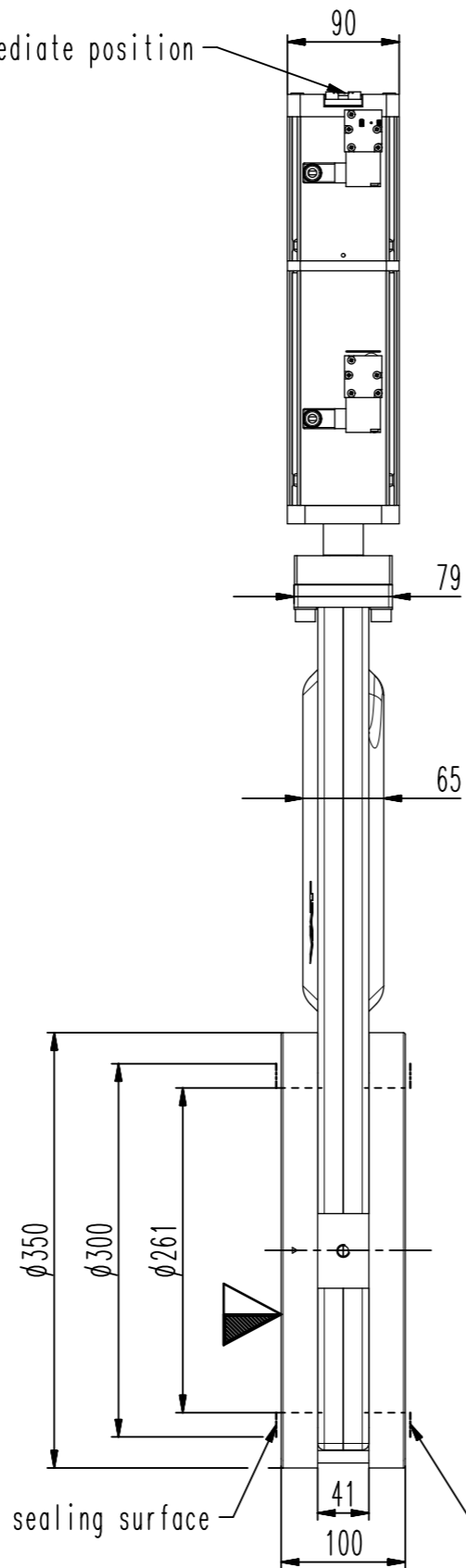
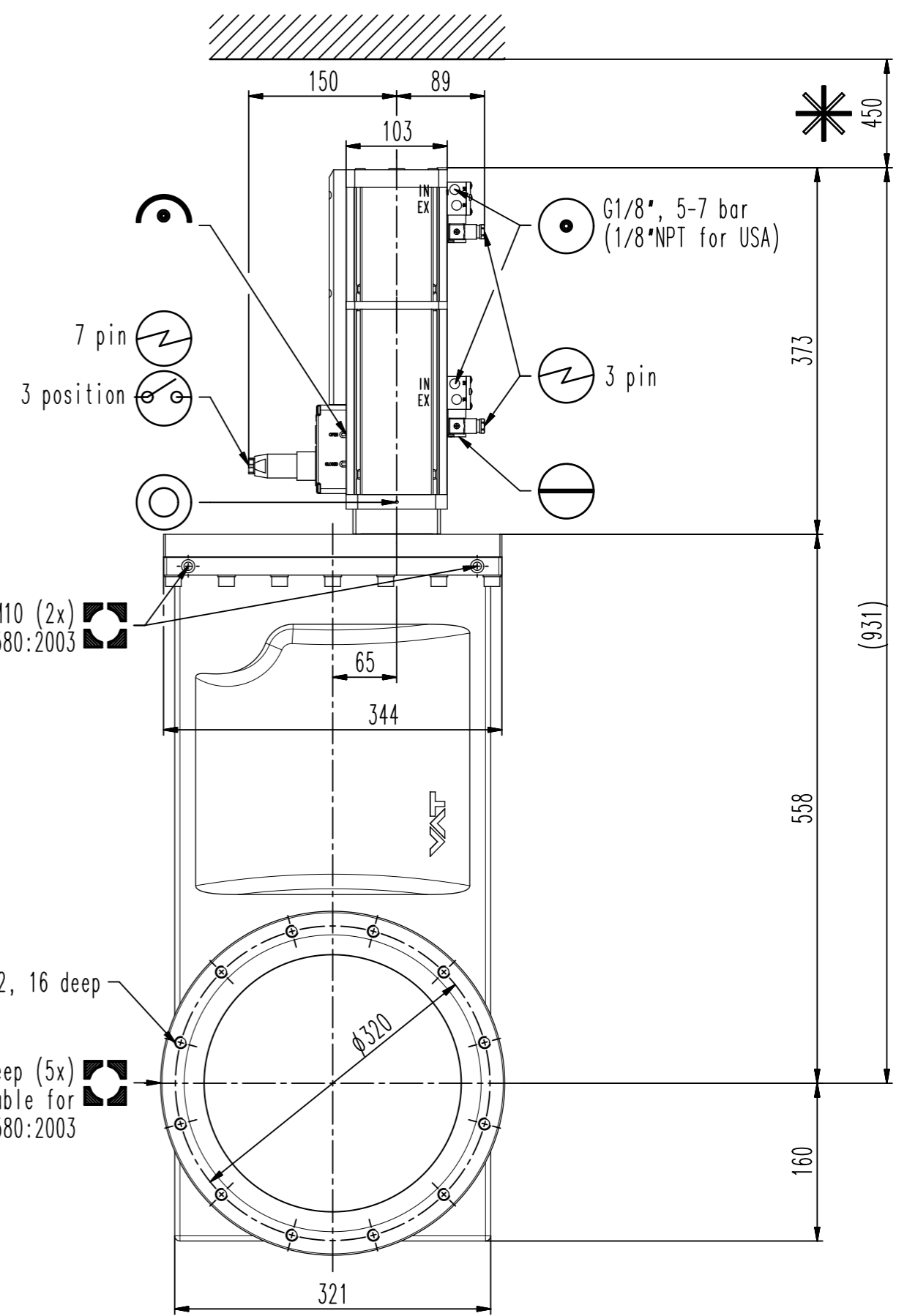


adjusting screw for intermediate position



Lifting eye bolt M10 (2x)
DIN 580:2003

M10 - 10 deep (5x)
Lifting point suitable for
eye bolt DIN 580:2003



- ▼ Seat side
- ⊙ Comp. air connection
- ⊕ Electrical connection
- ⊖ Leak detection port
- ⊙ Mech. pos. indication
- ⊙ Position indicator
- ⊙ Required for dismantling
- ⊙ Emergency actuation
- ⊙ For attachment
- ⊙ Bake-out area
- ⊙ Differential pumping port

UHV gate valve

VAT VAT Vakuumventile AG
CH-9469 Haag, Switzerland
Tel ++41 81 7716161 Fax ++41 81 7714830

Rev.-Date: 05.11.14
Visa: MRO

Series	108	Ordering No.	10848-JE48-0007
Projection E	DN	Flange	JIS
	250		
Dimensional Drawing			775536
			Rev.