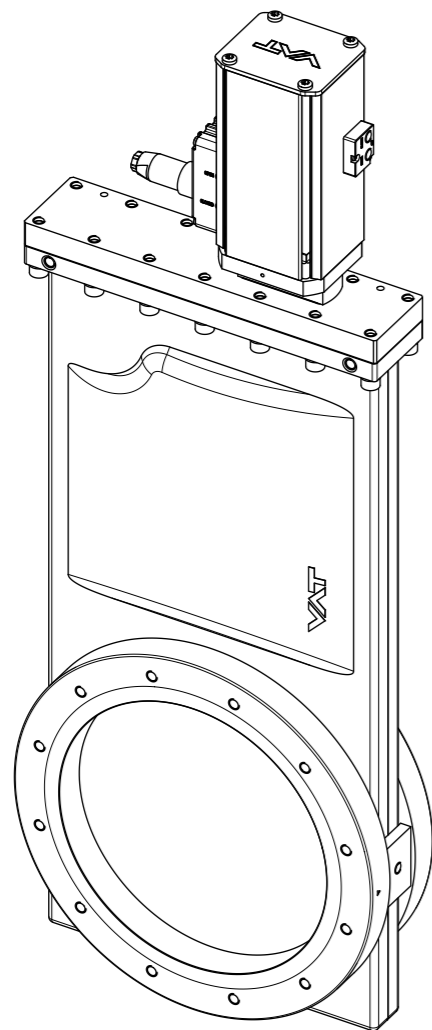


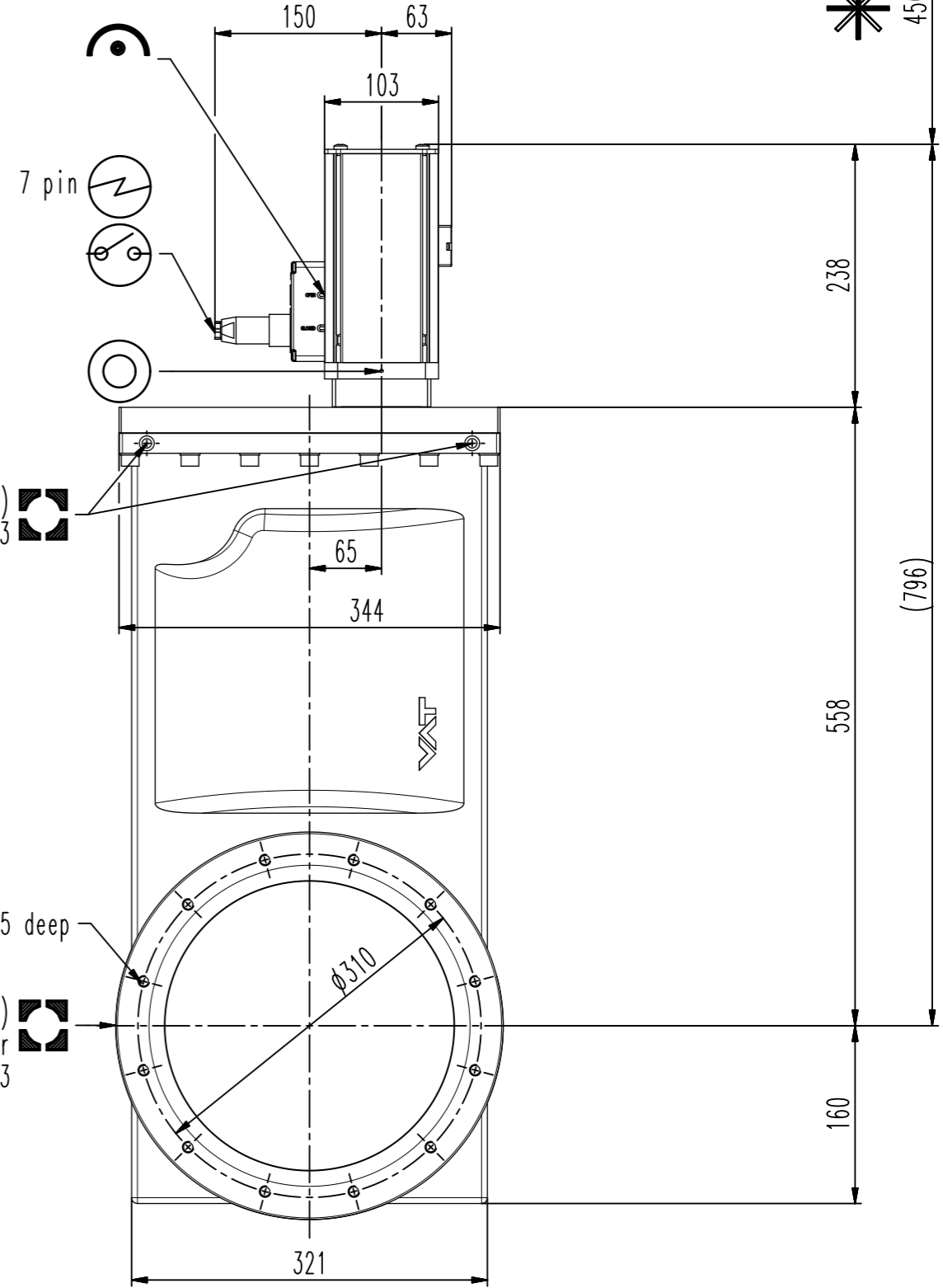
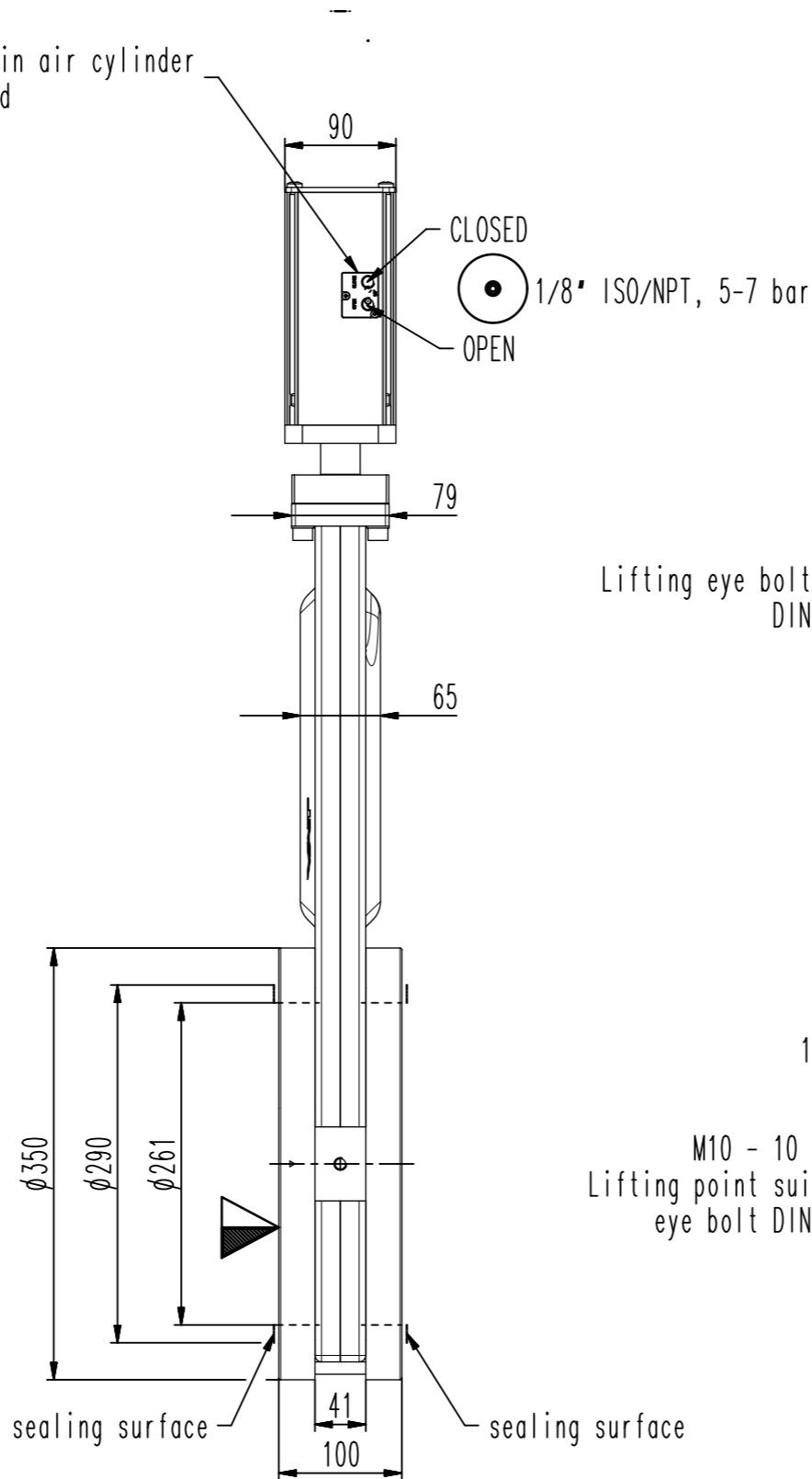
This drawing is the property of VAT.

Revision

Customer number



2xM5 (10-32 UNF suitable) in air cylinder
if adapter plate is removed



- ▼ Seat side
- ⊙ Comp. air connection
- ⊕ Electrical connection
- ⊖ Leak detection port
- ⊙ Mech. pos. indication
- ⊙ Position indicator
- ⊙ Required for dismantling
- ⊙ Emergency actuation
- ⊙ For attachment
- ⊙ Bake-out area
- ⊙ Differential pumping port

UHV gate valve

VAT Vakuumentile AG
 CH-9469 Haag, Switzerland
 Tel ++41 81 7716161 Fax ++41 81 7714830

Rev.-Date: 23.06.11
 Visa: PEM

Series	108	Ordering No.	10848-PE24-0007
Projection E	DN	Flange	ISO-F
	250		
Dimensional Drawing		237991	Rev. A

Nennmass Abmasse