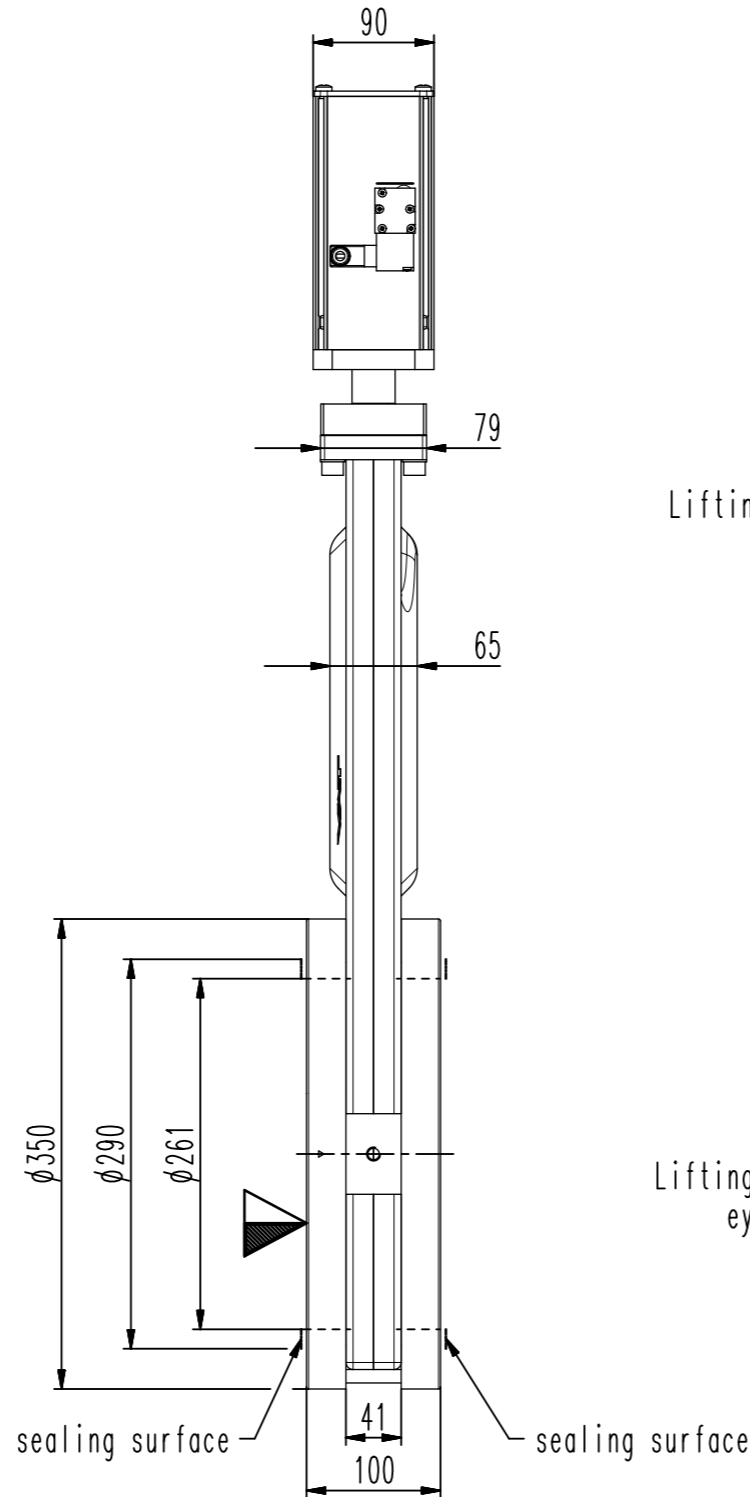
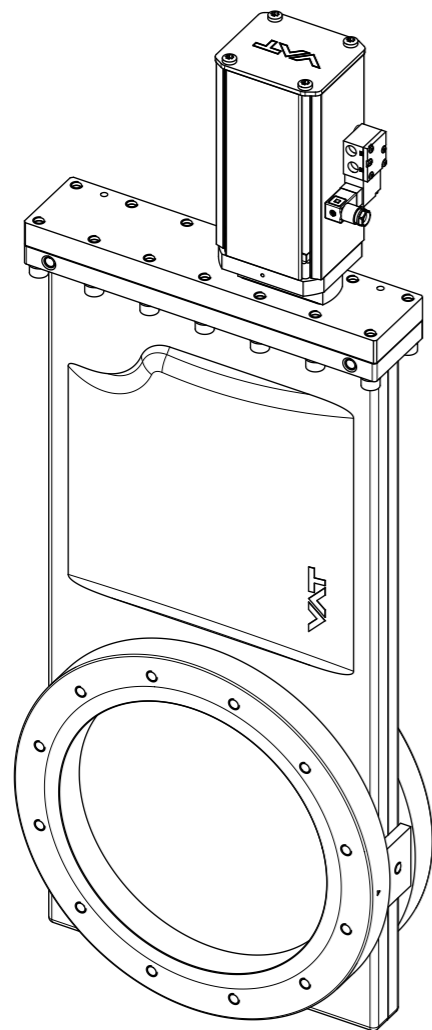


This drawing is the property of VAT.

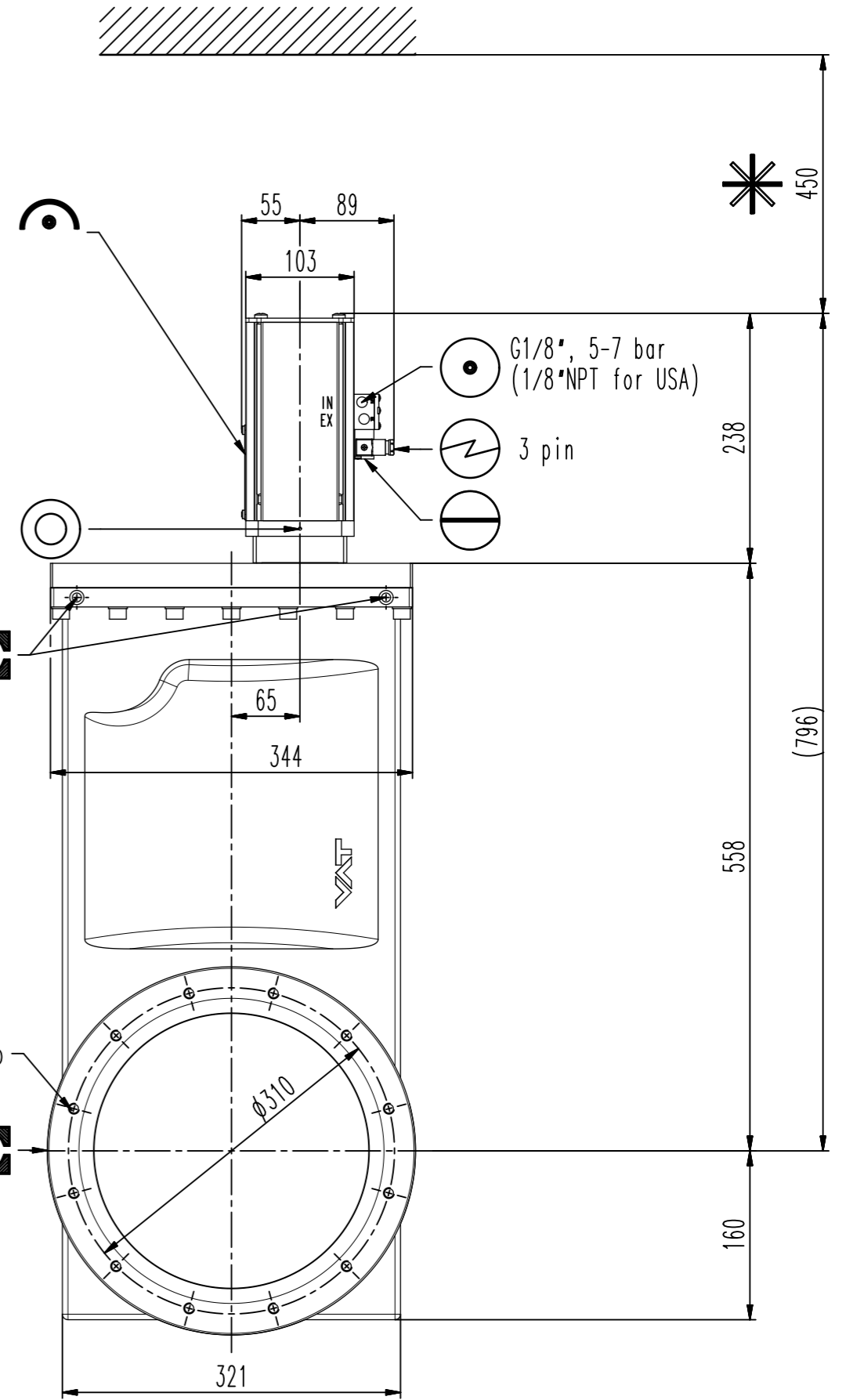
Revision

Customer number



Lifting eye bolt M10 (2x)
DIN 580:2003

M10 - 10 deep (5x)
Lifting point suitable for
eye bolt DIN 580:2003



- ▼ Seat side
- ⊙ Comp. air connection
- ⊕ Electrical connection
- ⊙ Leak detection port
- ⊕ Mech. pos. indication
- ⊙ Position indicator
- ⊕ Required for dismantling
- ⊙ Emergency actuation
- ⊕ For attachment
- ⊙ Bake-out area
- ⊕ Differential pumping port

UHV gate valve



VAT Vakuumventile AG
CH-9469 Haag, Switzerland
Tel ++41 81 7716161 Fax ++41 81 7714830

Rev.-Date: 06.11.14
Visa: MRO

Series	108	Ordering No.	10848-PE34-0007
Projection E	DN	Flange	
	250	ISO-F	
Dimensional Drawing		775695	Rev.